

Metris S

Single lever shower mixer for concealed installation

Surfaces: **chrome** Article Number: **31665000**



Description

product features

- 1 outlet
- connection type: basic set
- operating pressure: min. 0.1 MPa / max. 1.0 MPa
- ceramic cartridge
- temperature limitation adjustable
- scope of supply: escutcheon, handle, sleeve, mixing unit
- SVGW 0411-4903
- DVGW NW-6506CQ0125
- PA-IX 9710/IB
- ETA VA 1.42/18751
- ACS 13 ACC LY 755, valide jusqu'au 09.12.2018
- WRAS 1312046
- Kiwa K6161_Mechanical Mixers EN817
- SINTEF 1426

Mandatory Accessoires

- Basic set iBox universal (#01800XXX)
- iBox universal Basic with pre-mounted angle connection G1/2 (#01810XXX)

Optional Accessoires

- Extension element Ø 150 mm (#13597XXX)

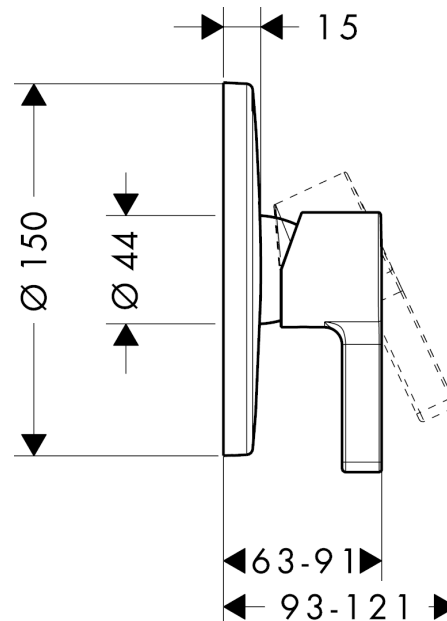
Certificates



Product image



Scale drawing



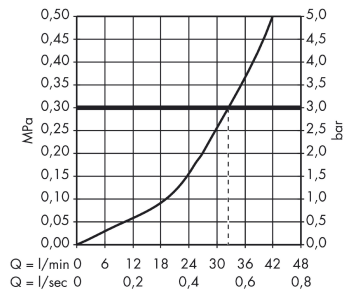
Metris S

Single lever shower mixer for concealed installation

Surfaces: **chrome** Article Number: **31665000**



Flowchart



Metris S

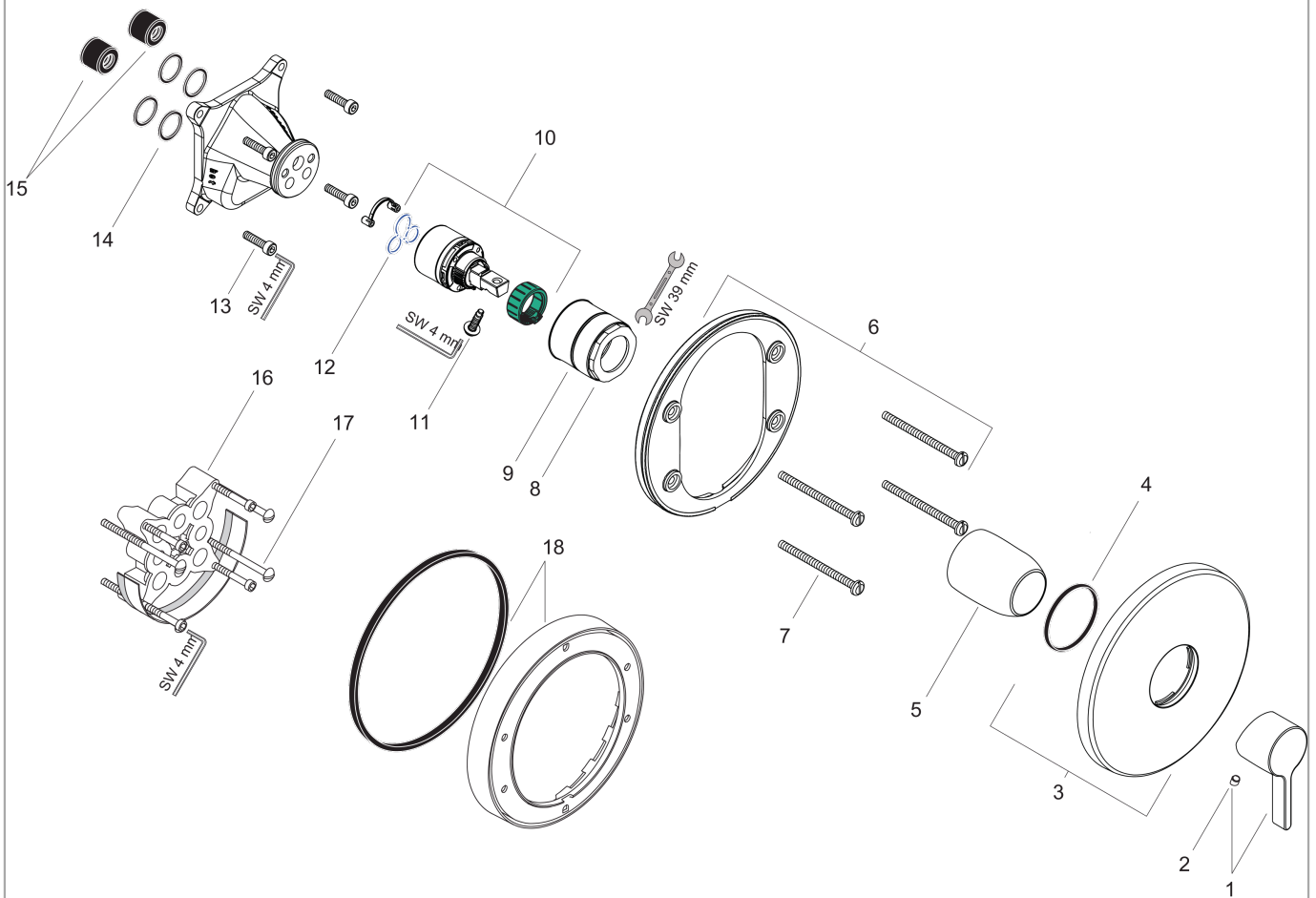
Single lever shower mixer for concealed installation

Surfaces: **chrome** Article Number: **31665000**



Exploded Drawing

Year of production: >01/08



Metris S

Single lever shower mixer for concealed installation

Surfaces: **chrome** Article Number: **31665000**



Spare part list

Year of production: >01/08

Pos.	Description	Article Number	PC	PU
1	handle	31093000	-	1
2	screw cover	96338000	-	1
3	escutcheon Ø 150 mm	98792000	-	1
4	O-ring 43x3	98418000	-	1
5	sleeve	98790000	-	1
6	holder for escutcheon	98793000	-	1
7	set of fixing screws	96454000	-	1
8	nut	98796000	-	1
9	O-ring 39x1,5	98400000	-	1
10	cartridge, assy	92730000	-	1
11	locking screw for handle	95140000	-	1
12	seal	95008000	-	1
13	set of screws	96525000	-	1
14	O-ring 16x2	98133000	-	1
15	noise reduction	94073000	-	1
16	extension 25 mm	13595000	-	1
17	set of fixing screws	97747000	-	1
18	extension 22 mm (Ø 150 mm)	13597000	-	1
a	concealed item	01800180	-	1
b	conversion kit to escutcheon Ø 170 mm (shower mixer)	95355000	-	1