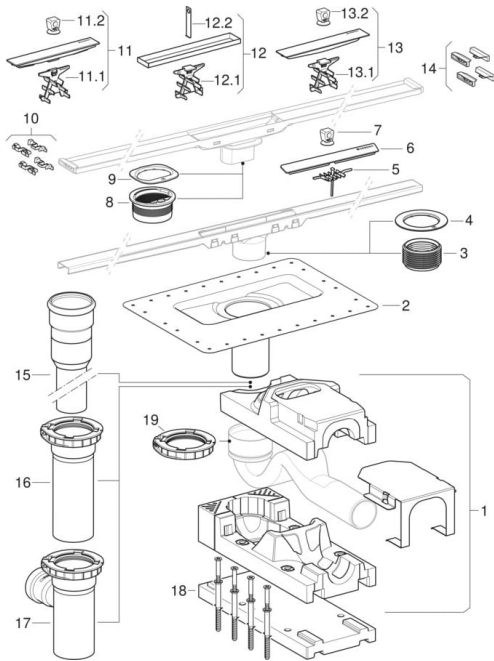


Spare parts for: Geberit CleanLine shower channels 2015 -



BRAND

Geberit

INFO

- Only the listed articles are available

TYPE

CleanLine, CleanLine20, CleanLine50, CleanLine60, CleanLine80

CHARACTERISTICS

Year of manufacture from 2015

#	Art. no.	Description	Replacement for	Remarks
1	243.122.00.1	Geberit base unit for trap 50 mm		Without trap
1	243.123.00.1	Geberit base unit for trap 30 mm		Without trap
2	243.553.00.1	Geberit flange for CleanLine shower channels		With protection box cover

#	Art. no.	Description	Replacement for	Remarks
4	243.829.00.1	Geberit fixing ring for floor drain 8 x 8 cm		
5	245.639.00.1	Geberit comb insert for CleanLine shower channels		
6	245.637.KS.1	Geberit cover for CleanLine50 shower channel: stainless steel brushed		
6	245.637.QC.1	Geberit cover for CleanLine50 shower channel: polished		
7	245.638.00.1	Geberit suction cup for shower channel	243.131.00.1	
8	244.470.00.1	Geberit sleeve for CleanLine shower channel		Only for CleanLine60 for thin floorings and for CleanLine80. Only for primary drainage
9	243.833.00.1	Geberit fixing ring for shower channel of the CleanLine series		
10	243.317.00.1	Geberit profile end cover set for CleanLine60 shower channel		
11	244.533.39.1	Geberit cover for CleanLine80 shower channel		
11	244.533.KS.1	Geberit cover for CleanLine80 shower channel		
11	244.533.QC.1	Geberit cover for CleanLine80 shower channel		High-gloss black

#	Art. no.	Description	Replacement for	Remarks
11	244.533.QC.5	Geberit cover for CleanLine80 shower channel		Matt black
11.1	243.125.00.1	Geberit comb insert for CleanLine shower channels		
11.2	245.638.00.1	Geberit suction cup for shower channel	243.131.00.1	
12	243.901.00.1	Geberit cover for CleanLine 80 shower channel, tile-bearing		
12.1	243.125.00.1	Geberit comb insert for CleanLine shower channels		
12.2	242.204.00.1	Geberit demounting tool		
13	243.127.00.1	Geberit cover for CleanLine20 shower channel		
13	243.128.00.1	Geberit cover for CleanLine60 shower channel		
13	243.129.00.1	Geberit cover for CleanLine60 shower channel for thin floorings		
13.1	243.125.00.1	Geberit comb insert for CleanLine shower channels		
13.2	245.638.00.1	Geberit suction cup for shower channel	243.131.00.1	
14	243.316.00.1	Geberit profile end cover set for CleanLine20 shower channel		

#	Art. no.	Description	Replacement for	Remarks
15	244.482.16.1	Geberit straight connector for shower floor drain and CleanLine shower channels, cross-floor: black		Only for art. no. 154.053.00.1
16	154.313.00.1	Geberit extension for thin bed bonding flange CleanLine		
17	245.370.16.1	Geberit branch fitting for inlet for CleanLine shower channels: black / plastic		
18	244.934.00.1	Geberit underlay plate for installation set		
19	245.025.00.1	Geberit grip ring for shower channels of the CleanLine series		

VALID FOR ARTICLES

- 154.453.00.1 • 154.453.KS.1 • 154.440.KS.1 • 154.440.39.1 • 154.441.KS.1 • 154.441.39.1 • 154.440.QC.1 • 154.441.QC.1 • 154.150.00.1
- 154.152.00.1 • 154.450.00.1 • 154.451.00.1 • 154.456.00.1 • 154.457.00.1 • 154.458.00.1 • 154.459.00.1 • 154.153.00.1 • 154.450.KS.1
- 154.451.KS.1 • 154.456.KS.1 • 154.457.KS.1 • 154.154.00.1 • 154.159.00.1 • 154.454.00.1 • 154.446.KS.1 • 154.446.QC.1 • 154.447.KS.1
- 154.447.QC.1 • 154.448.QC.1 • 154.442.KS.1 • 154.442.QC.1 • 154.442.39.1 • 154.446.KS.2 • 154.446.QC.2 • 154.447.KS.2 • 154.447.QC.2
- 154.448.KS.2 • 154.448.QC.2 • 154.455.00.1 • 154.452.00.1