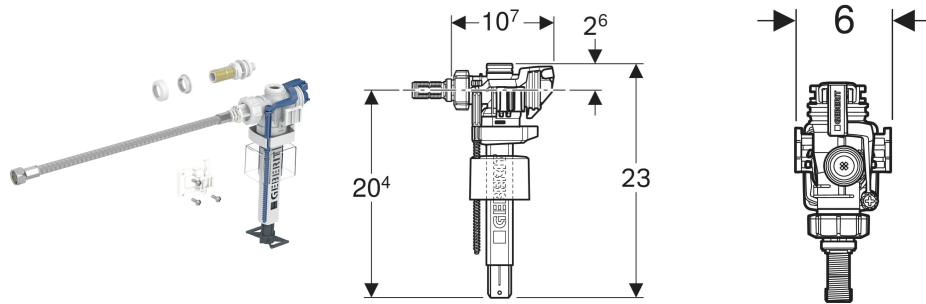


# Geberit Type 383 fill valve, lateral water supply connection, 3/8", nipple made of brass



## APPLICATION PURPOSES

- For Geberit exposed cisterns with lateral or rear centre water supply connection
- For Geberit concealed cisterns
- For exposed and concealed cisterns of third-party manufacturers
- For ceramic cisterns
- For potable water
- For greywater (rainwater) with pH value 6.0–9.5, if a filter system is used

## CHARACTERISTICS

- Adjustable filling height
- Water supply connection on the left/right
- Low-noise in accordance with tap group I (DIN 4109)

## TECHNICAL DATA

Flow pressure	0.1–10 bar
Storage temperature	≤ 40 °C
Flow rate at 0.5 bar	0.06 l/s

Flow rate at 3 bar

0.16 l/s

## SCOPE OF DELIVERY

- Filter for nipple / reinforced braided hose types 350 and 380 filling valves
- Mounting clip
- Fastening material

Art. no.	B cm	H cm	T cm
246.192.00.5	6	23	10.7
New			

New article available from 16.01.2025