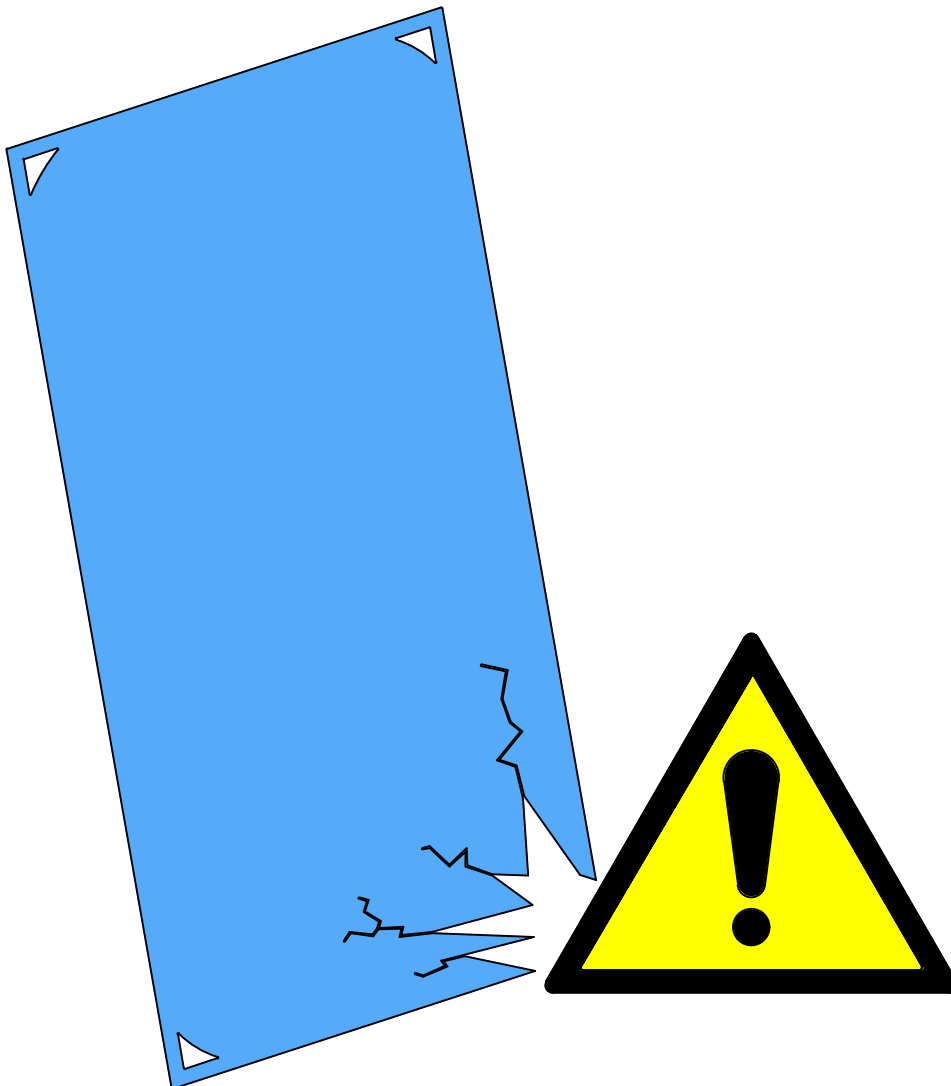
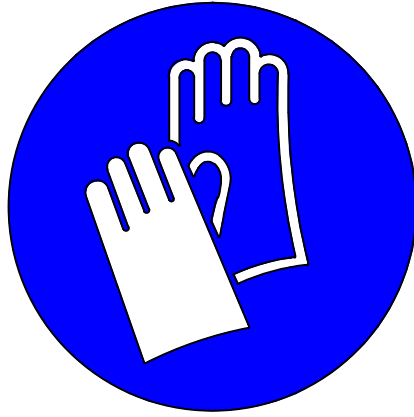
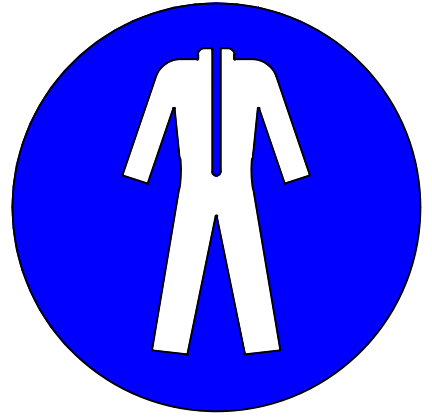
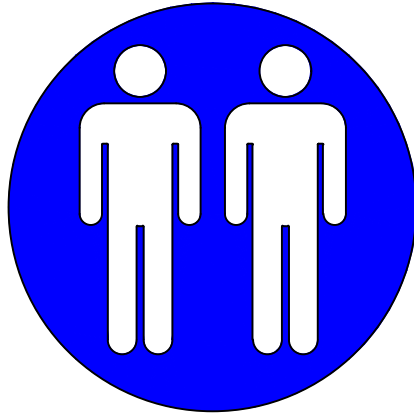
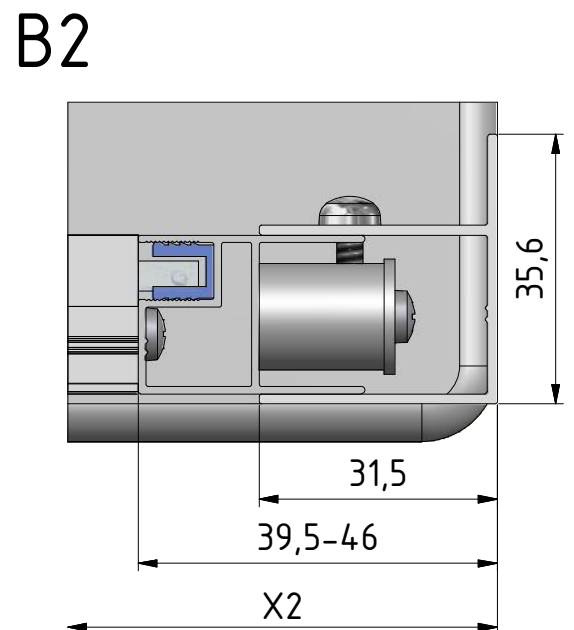
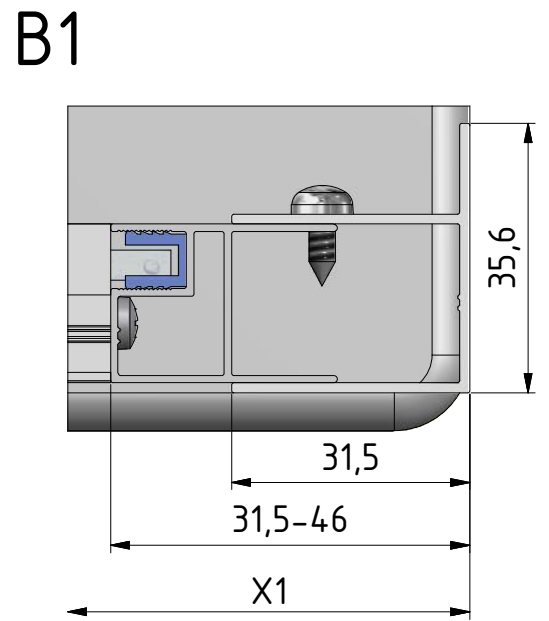
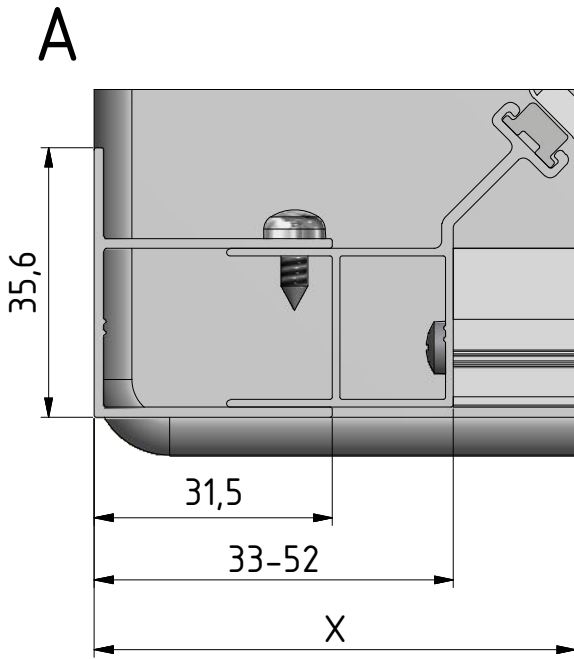
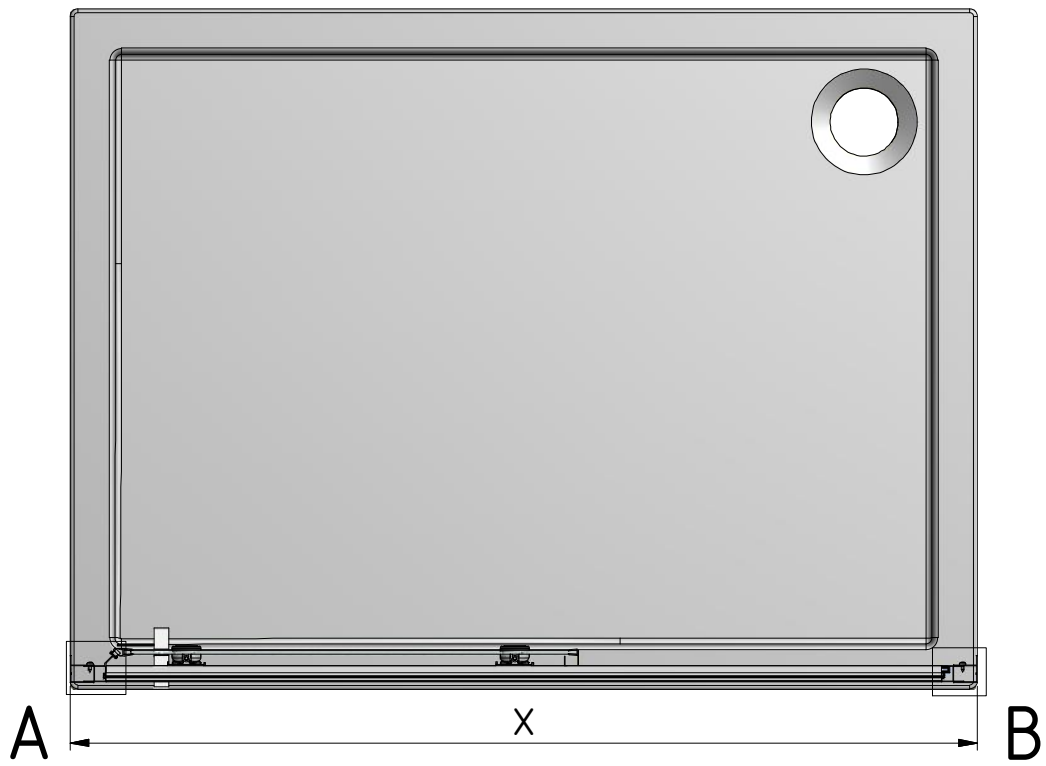


LLD2



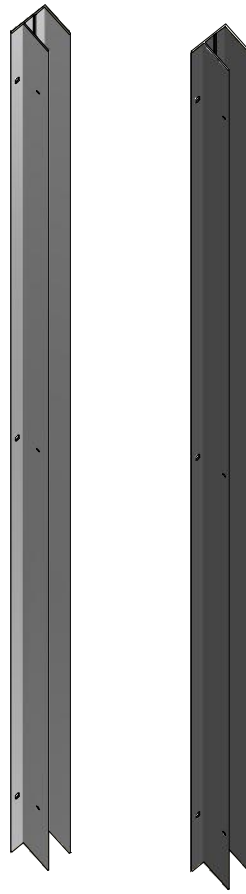




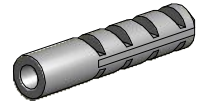
	X1	X2
1000	970-1005	978-1005
1100	1070-1105	1078-1105
1200	1170-1205	1178-1205
1300	1270-1305	1278-1305
1400	1370-1405	1378-1405
1500	1470-1505	1478-1505
1600	1570-1605	1578-1605



2. 1x (P3081) 3. 1x (P3101)



4. 6x (M0511)



5. 3x (M0795)

Ø3,5x38



6. 3x (M0790)

Ø3,5x19



7. 6x (M0806)

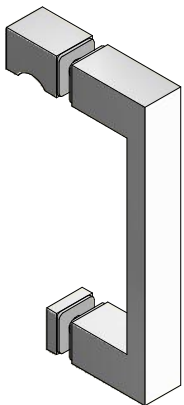
Ø3,5x9,5



8. 12x (MA0511)



9. 1x
(MB1851)

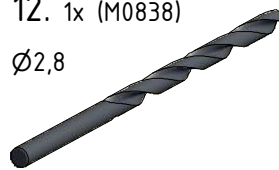


10. 1x+1x
(P3200;P3201)



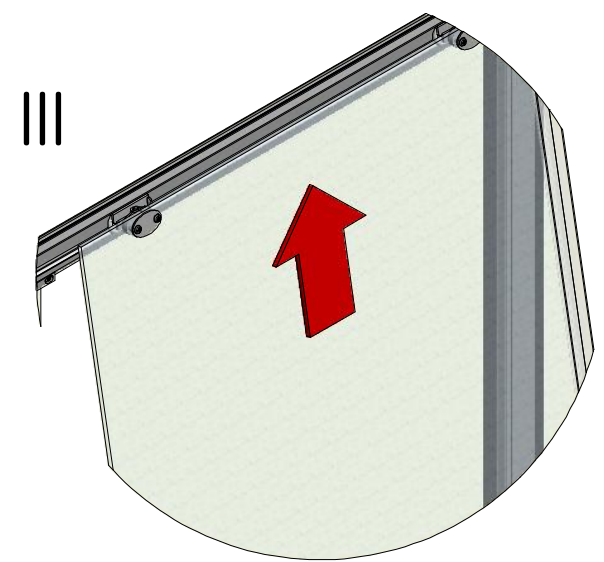
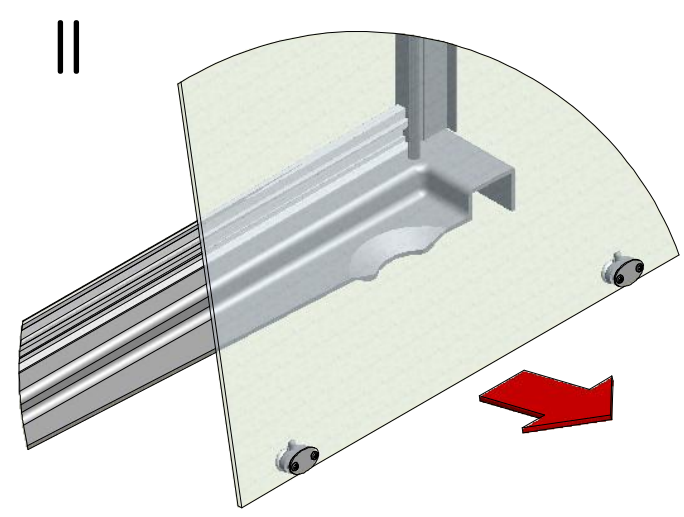
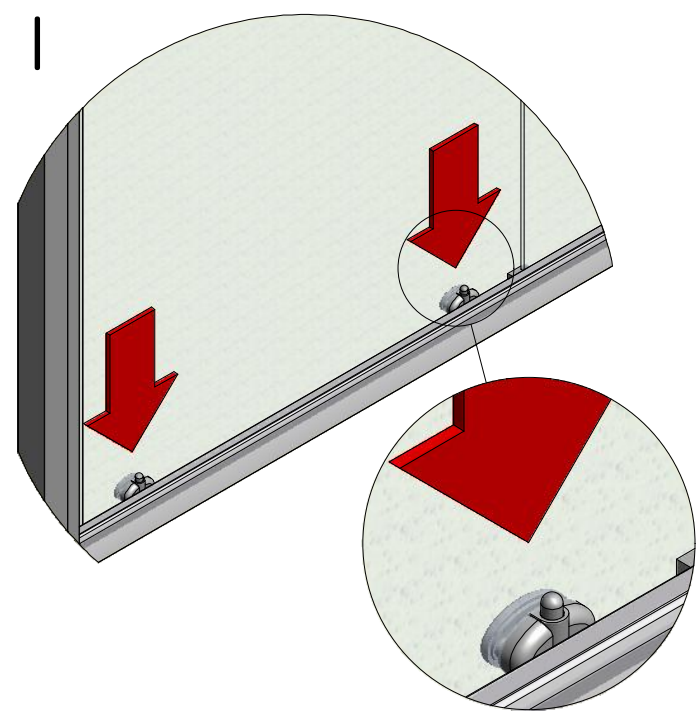
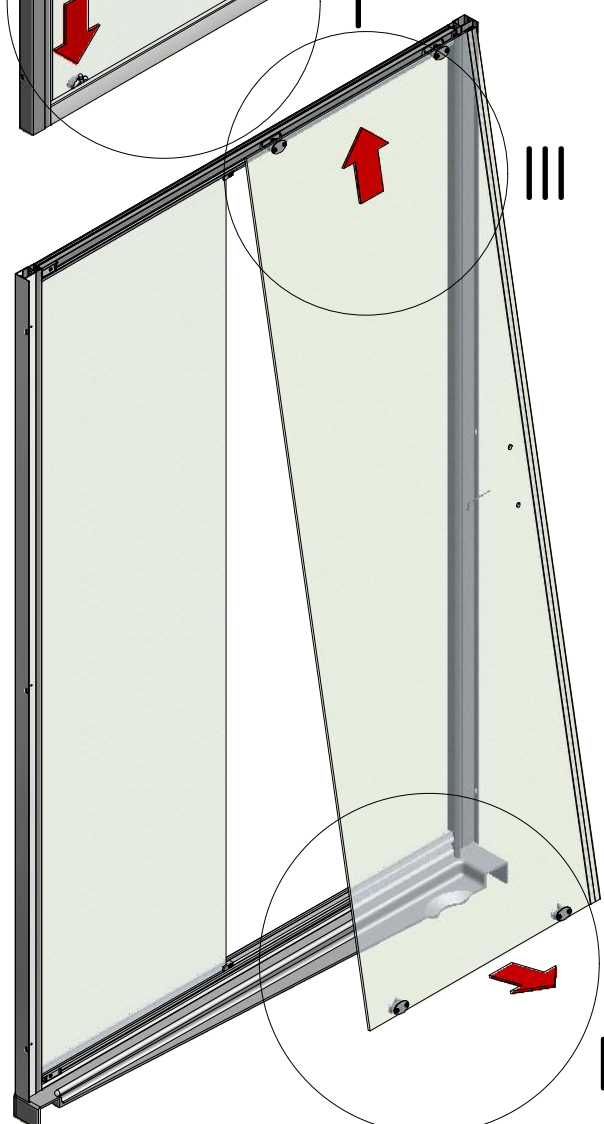
12. 1x (M0838)

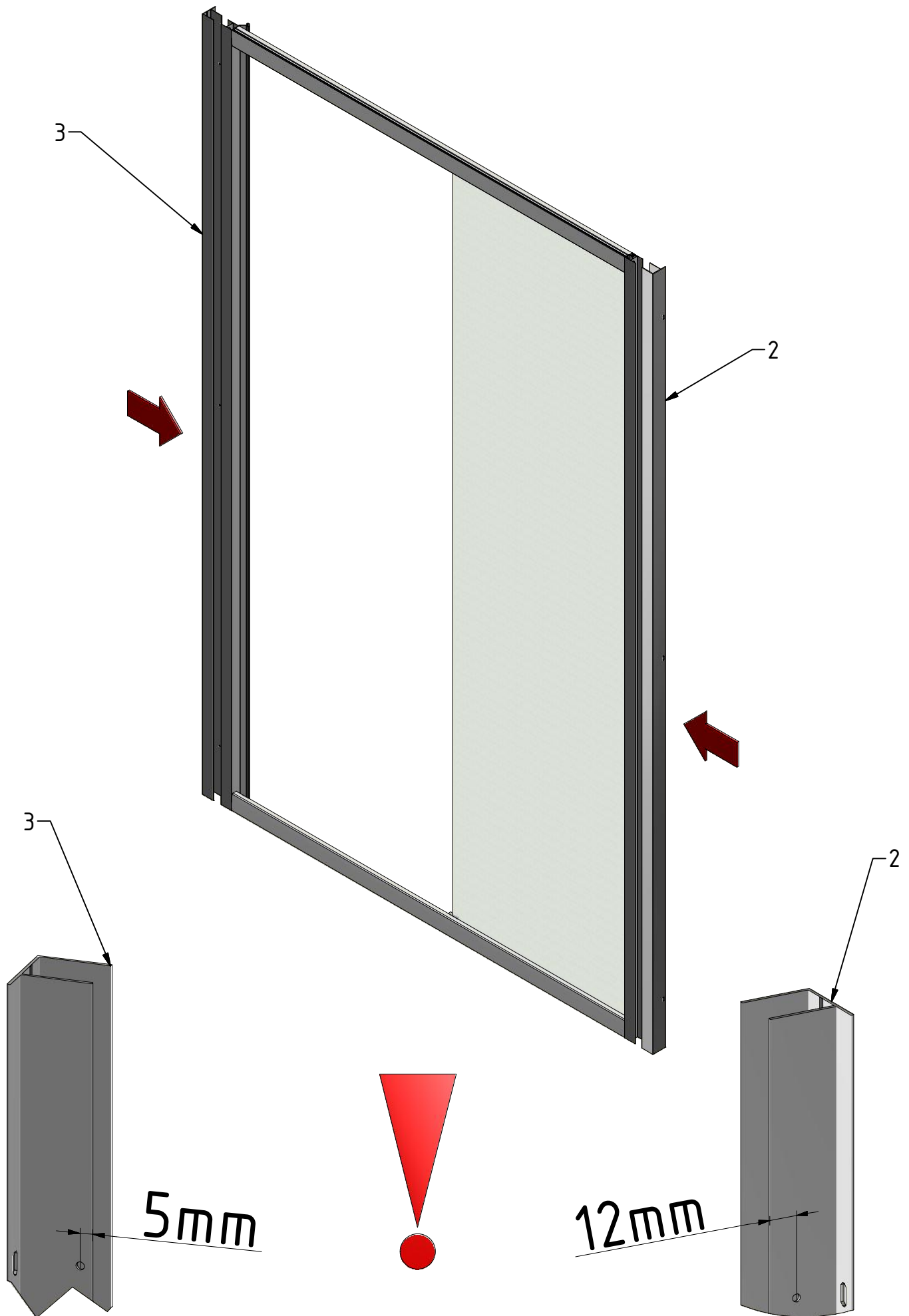
Ø2,8

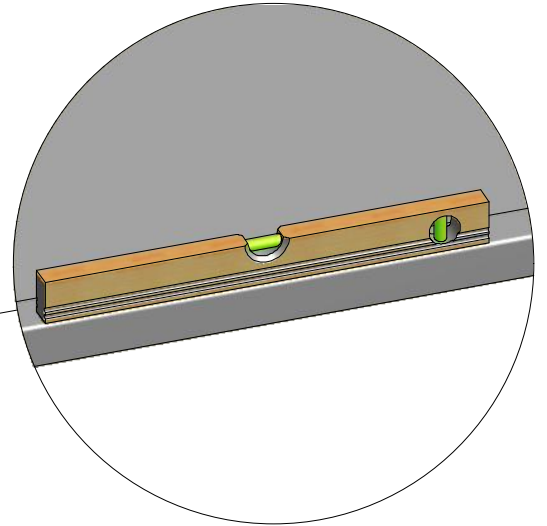
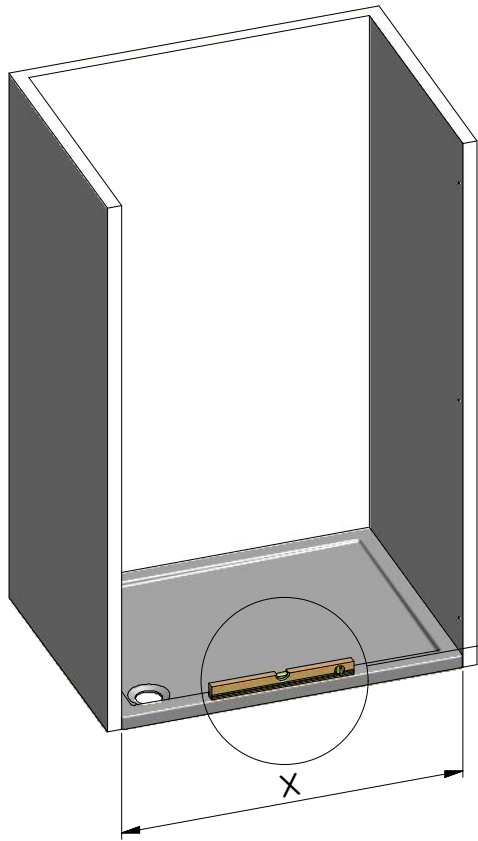


14. 4x
(MA3119)



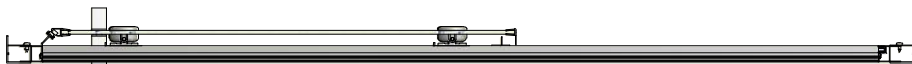
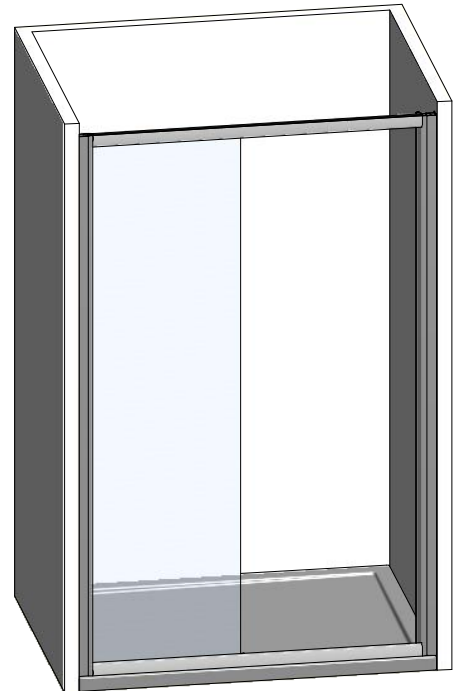
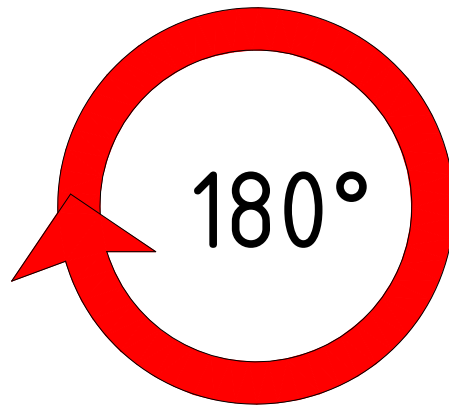
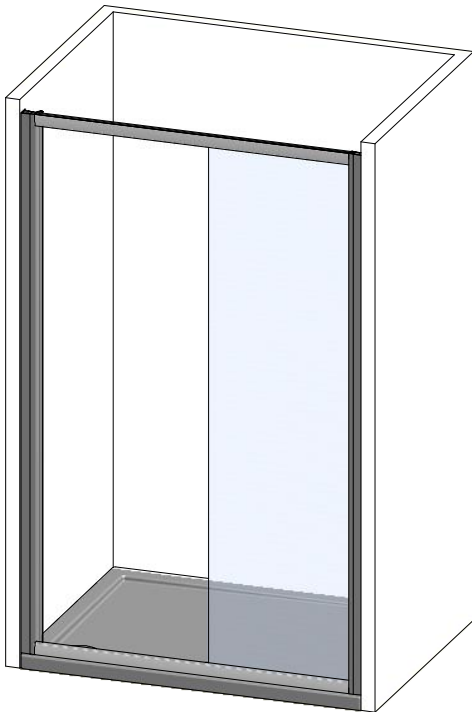


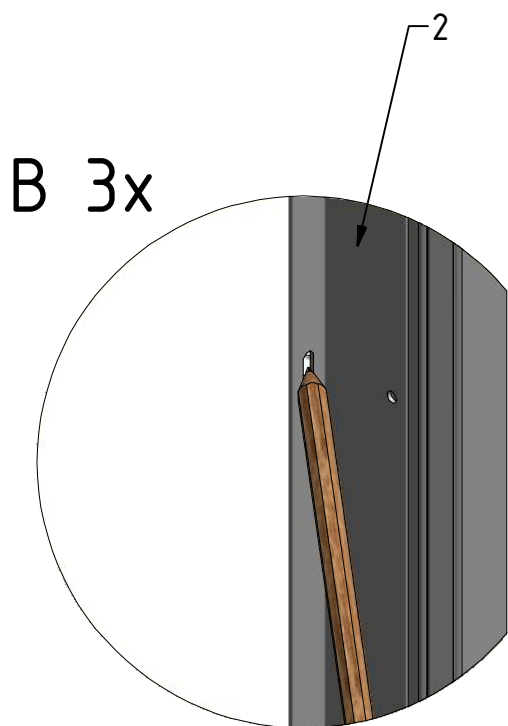
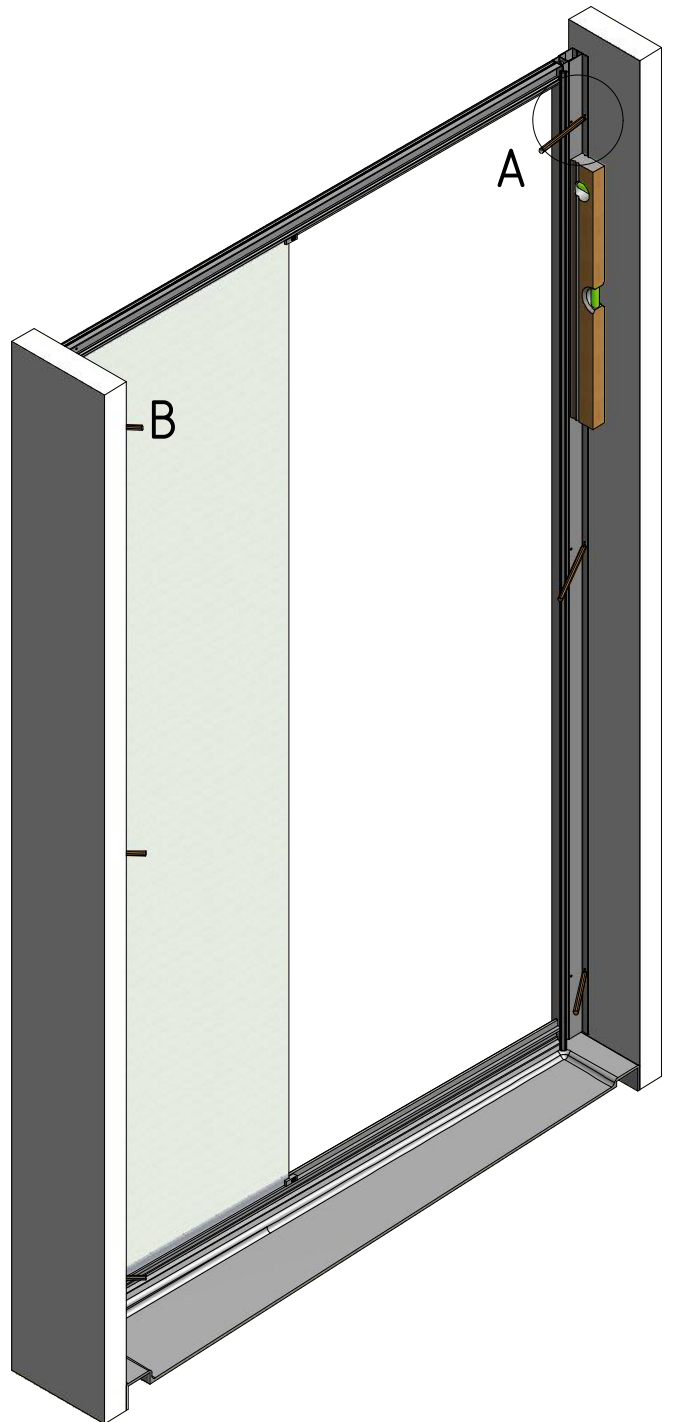
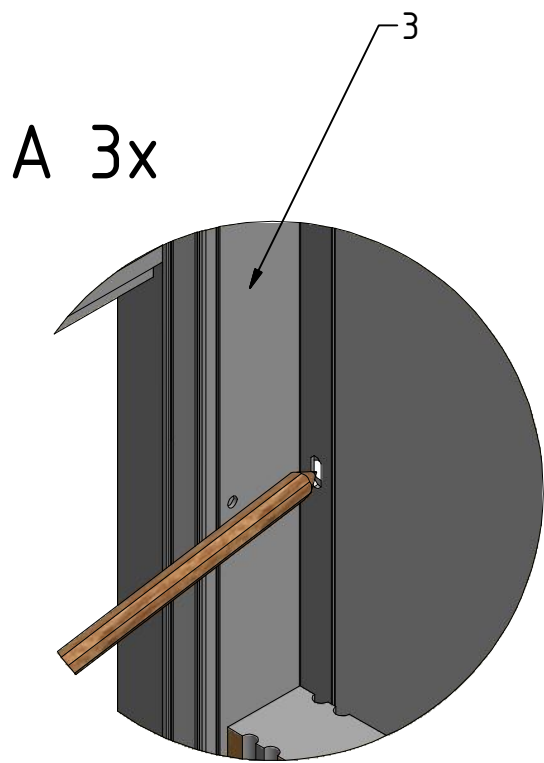


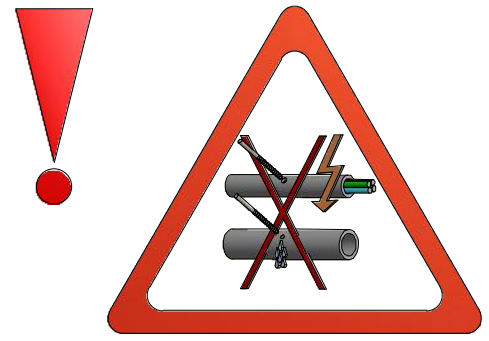
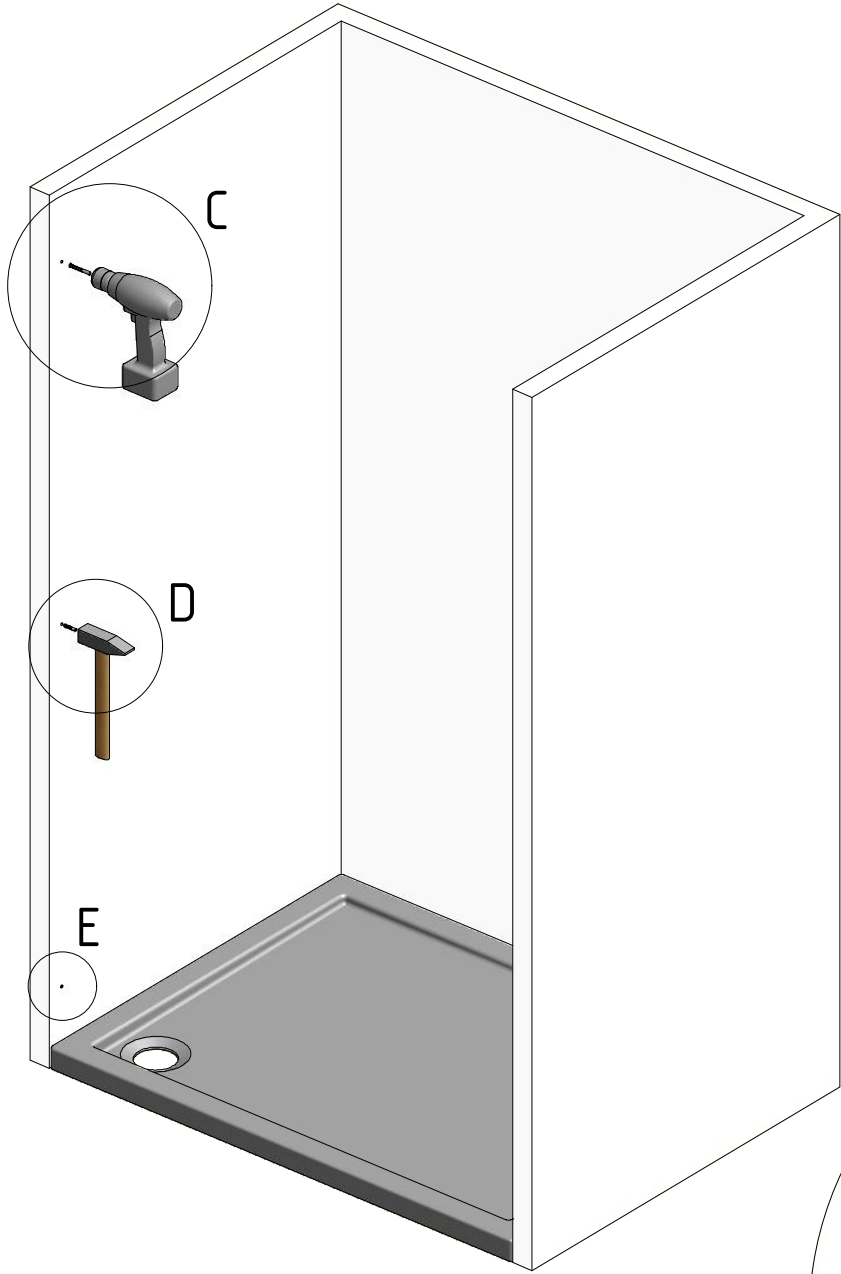


RIGHT

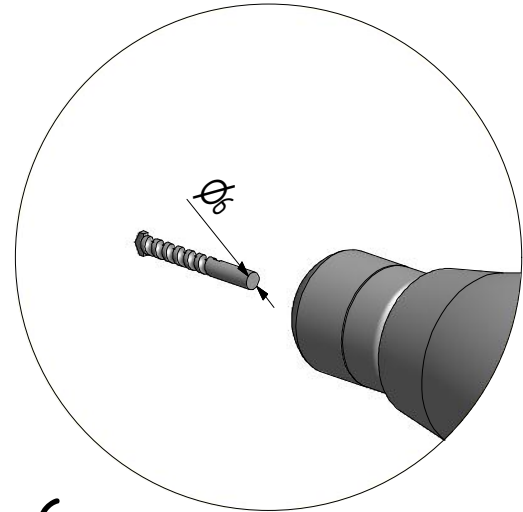
LEFT



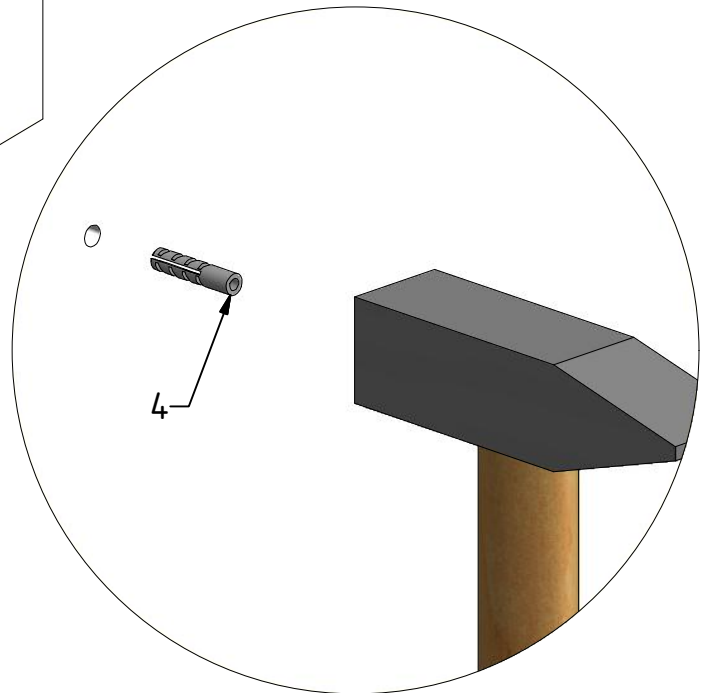




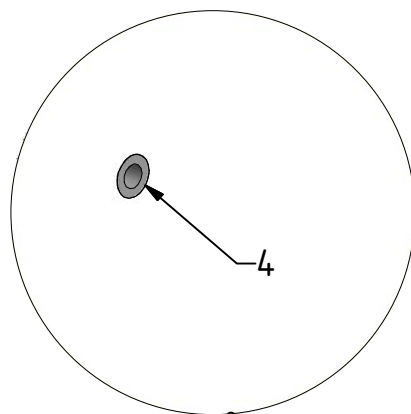
C 6x



D 6x

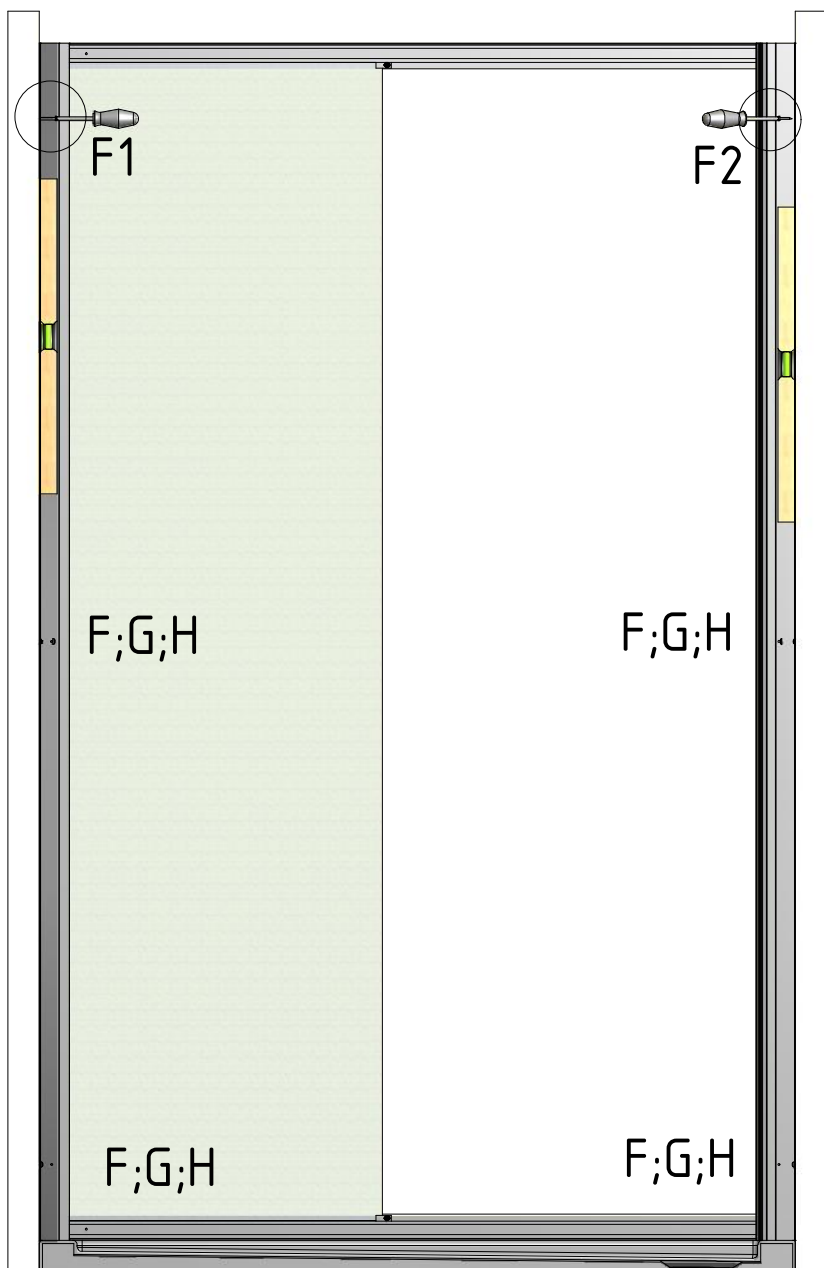
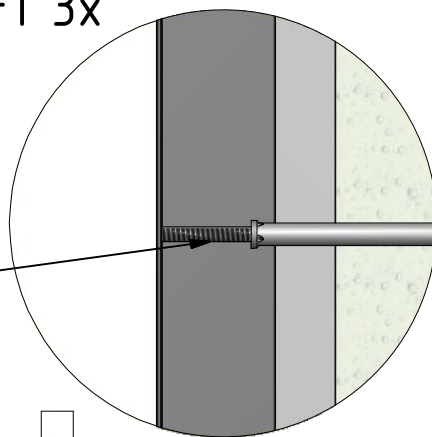


E 6x



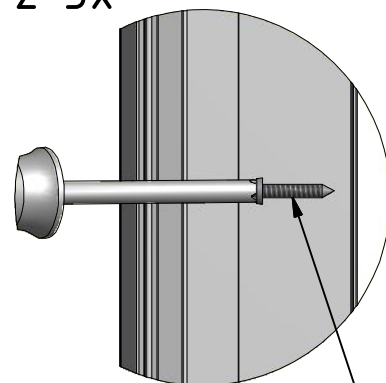
F1 3x

5

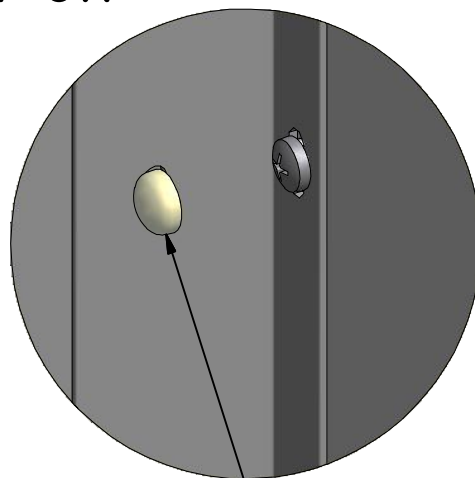


F2 3x

6



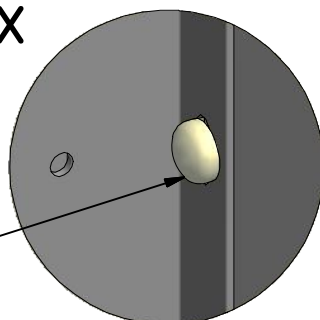
G 6x

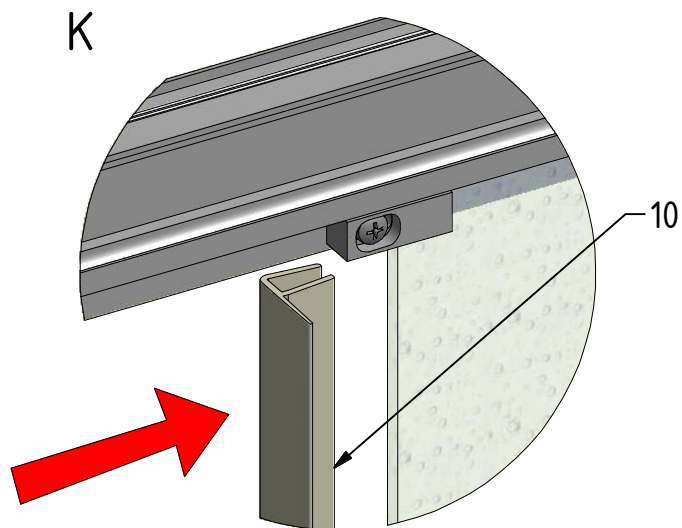
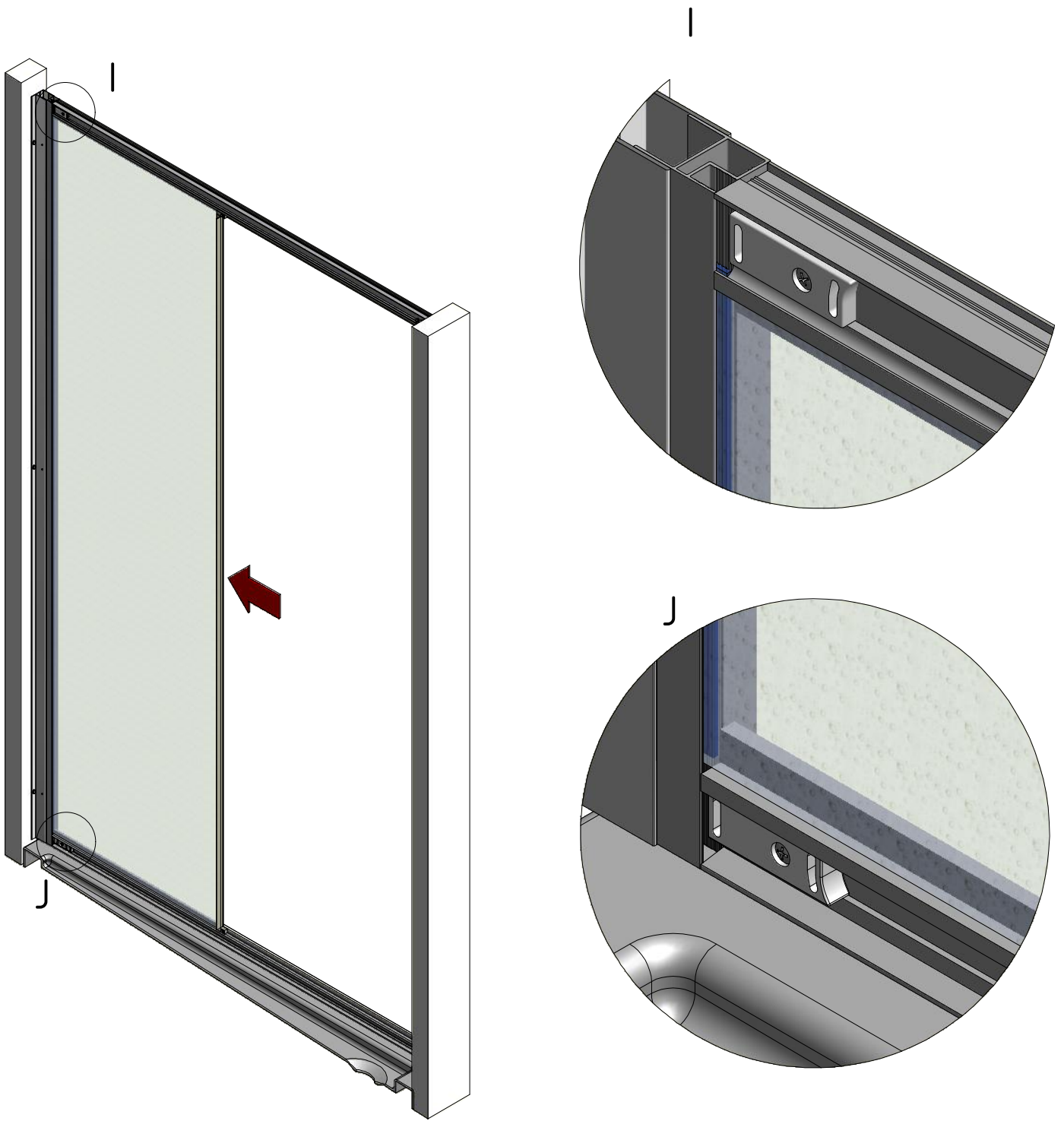


8

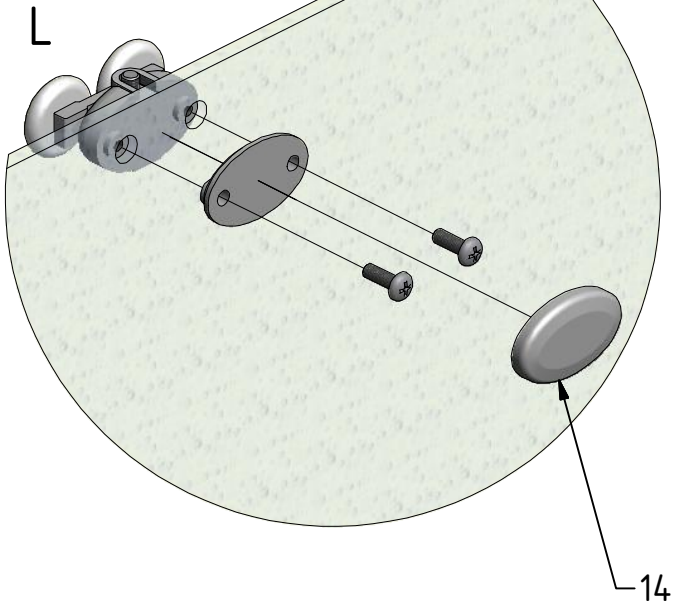
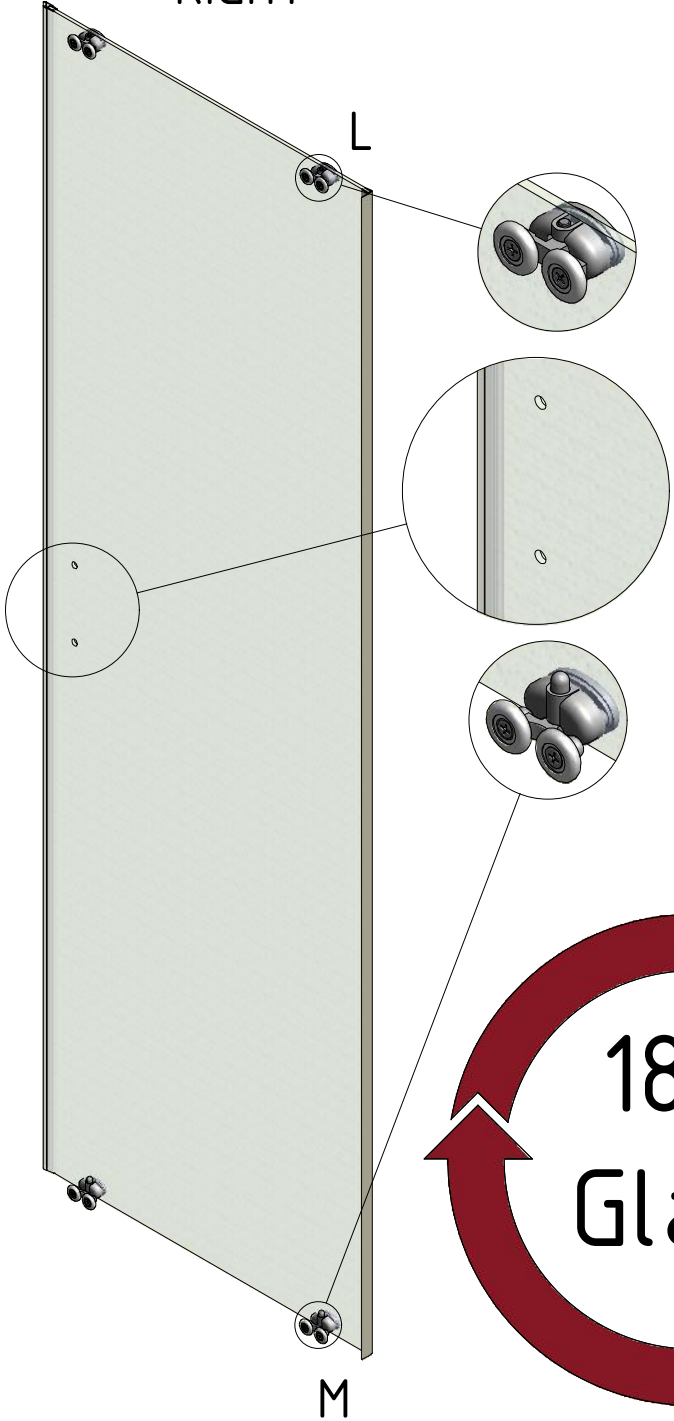
H 6x

8

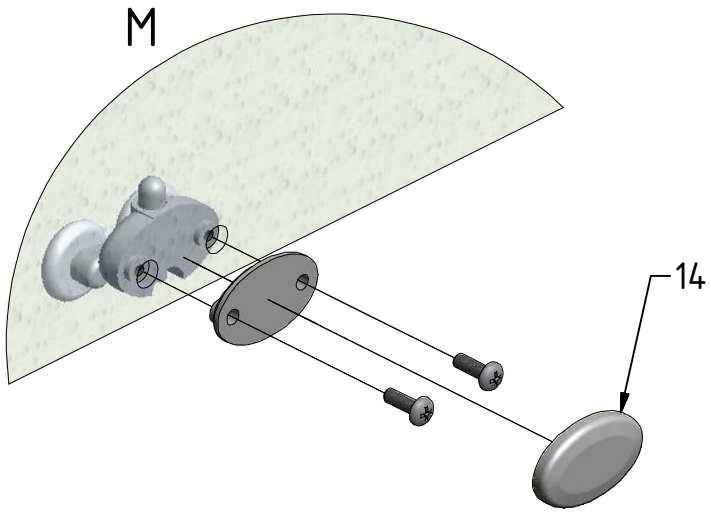
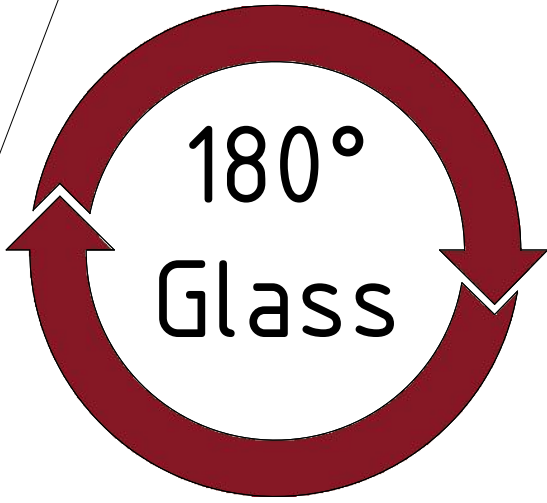
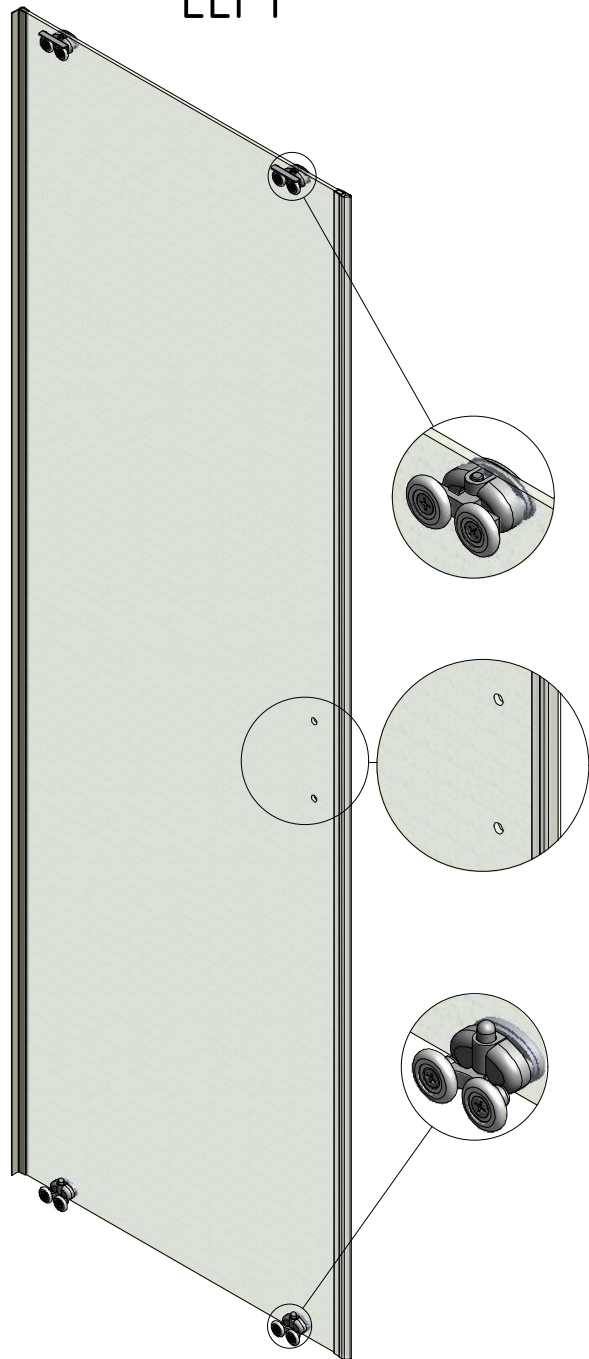


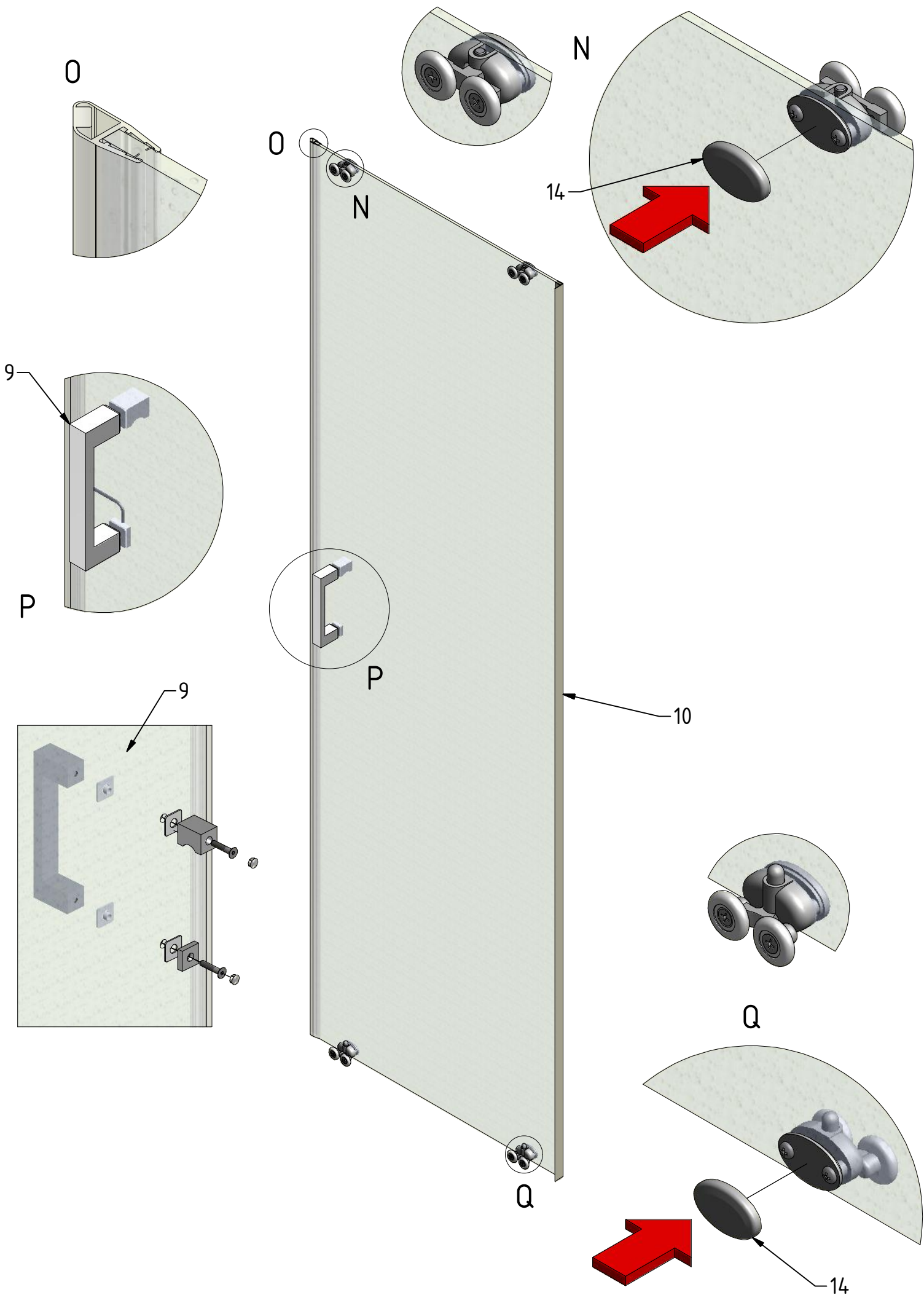


RIGHT

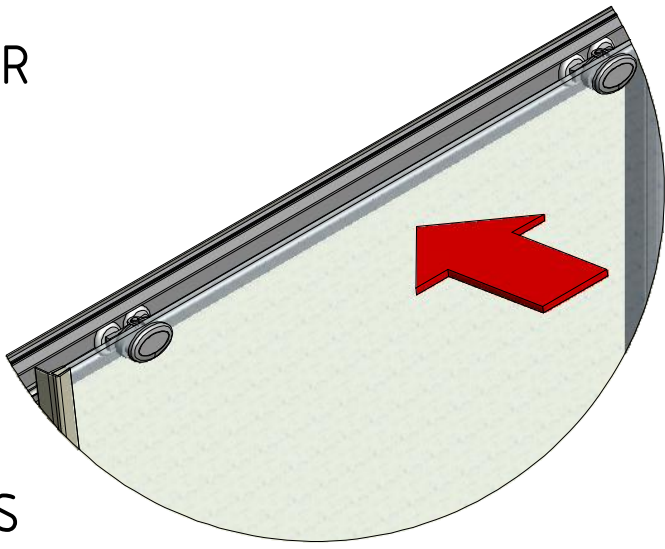


LEFT

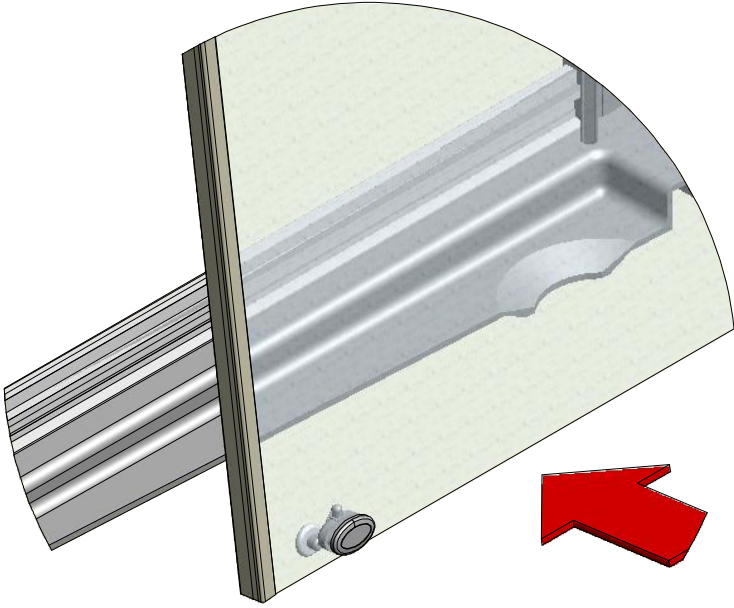




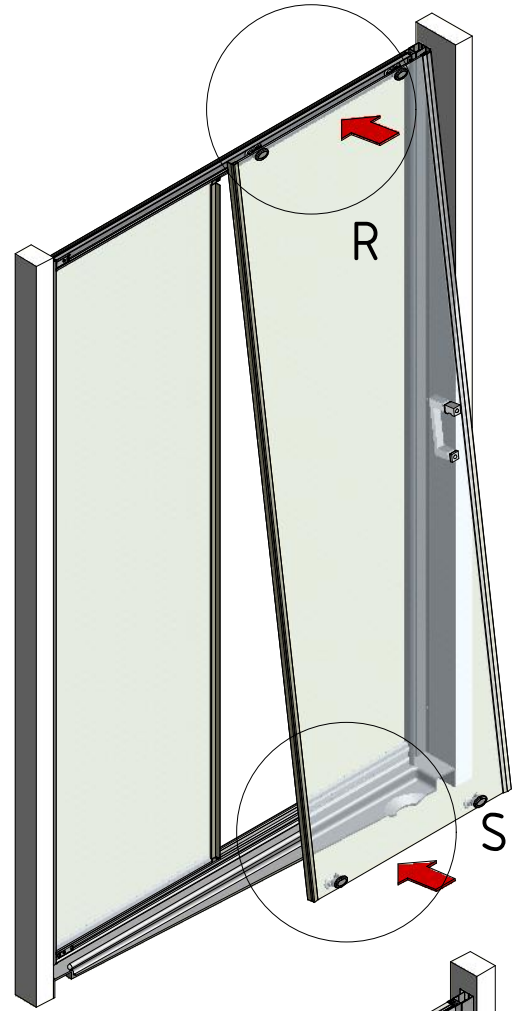
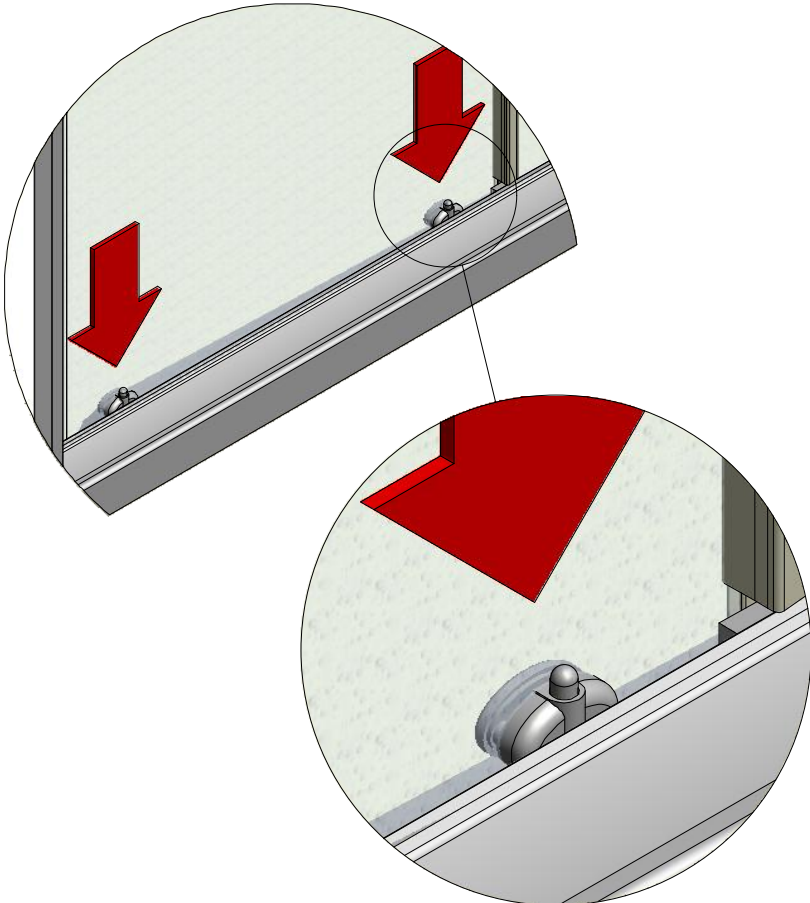
R

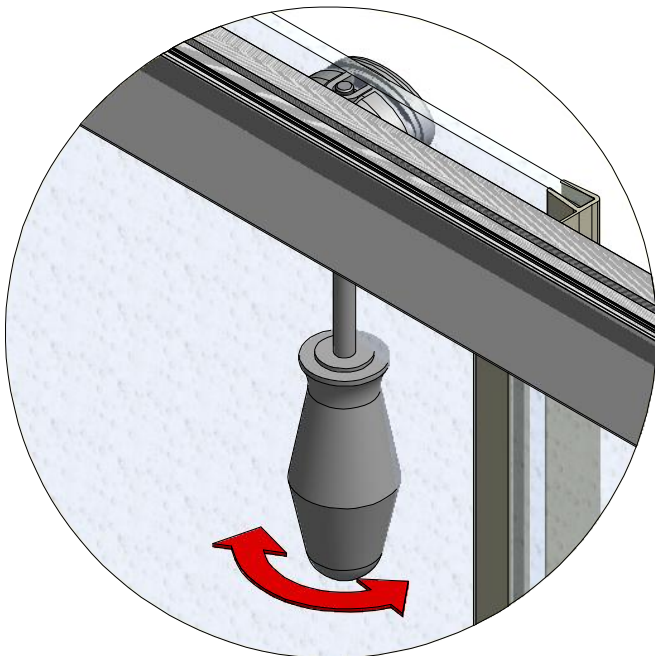
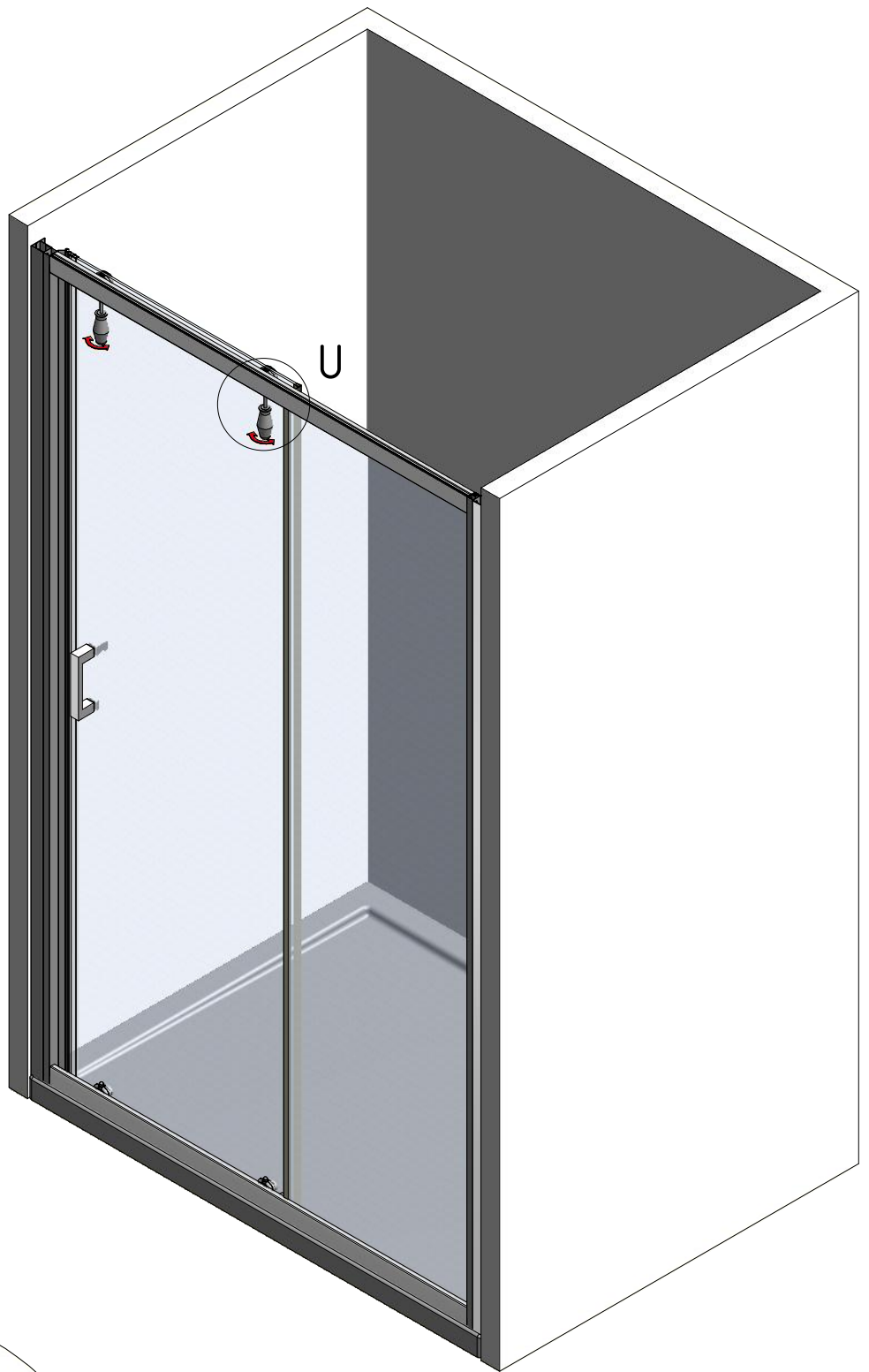
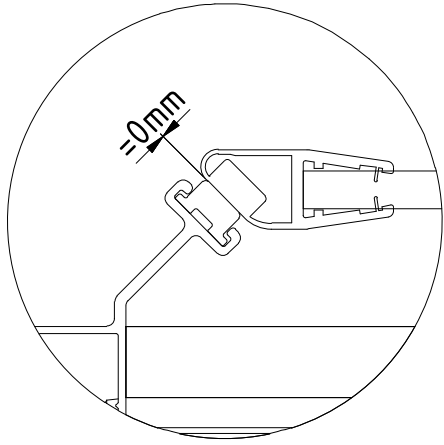


S

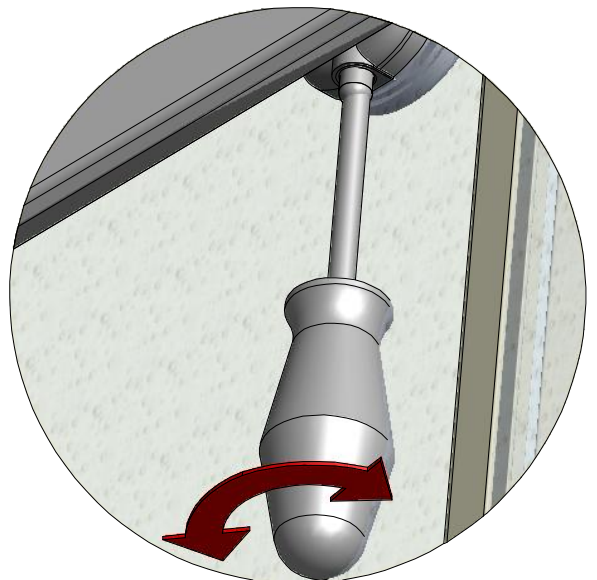


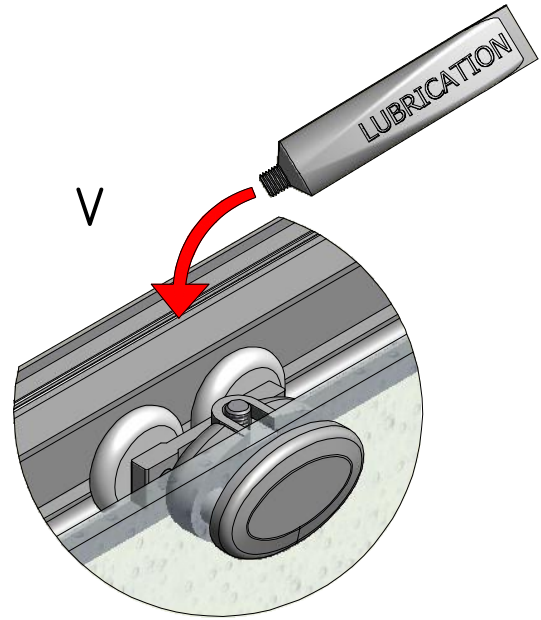
T



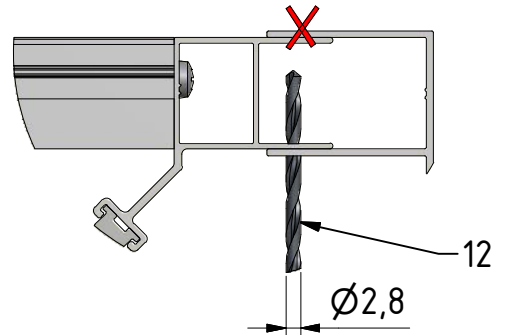


U

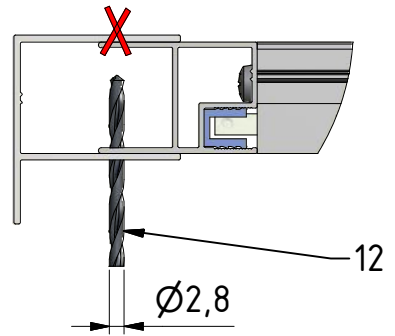




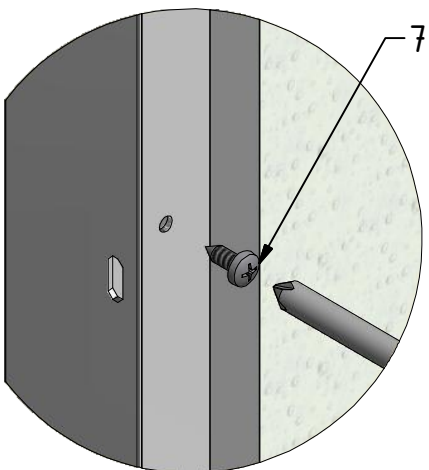
3x



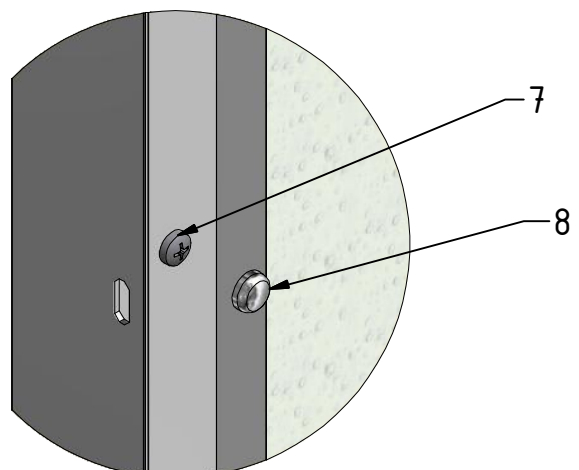
3x

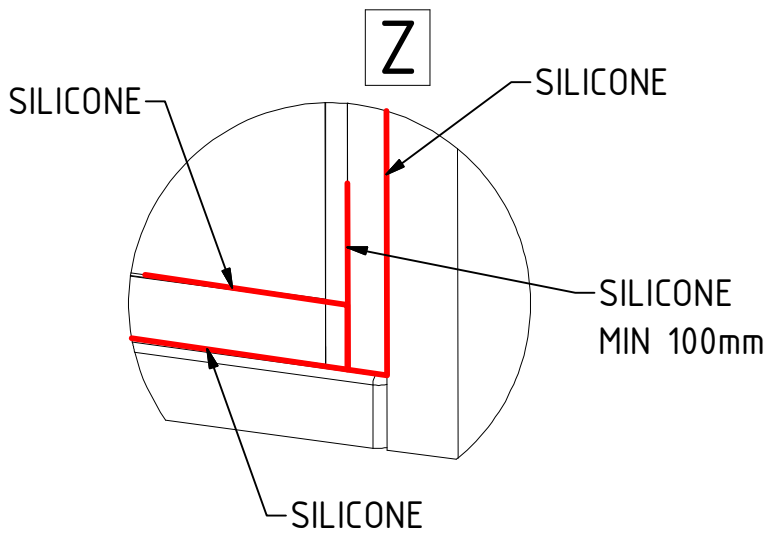
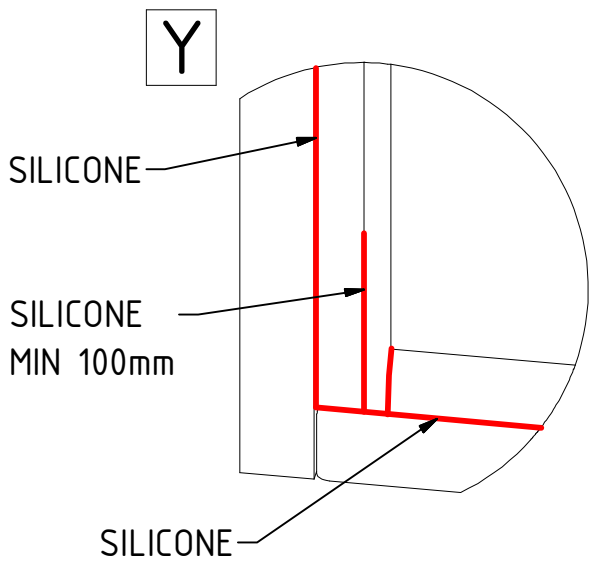
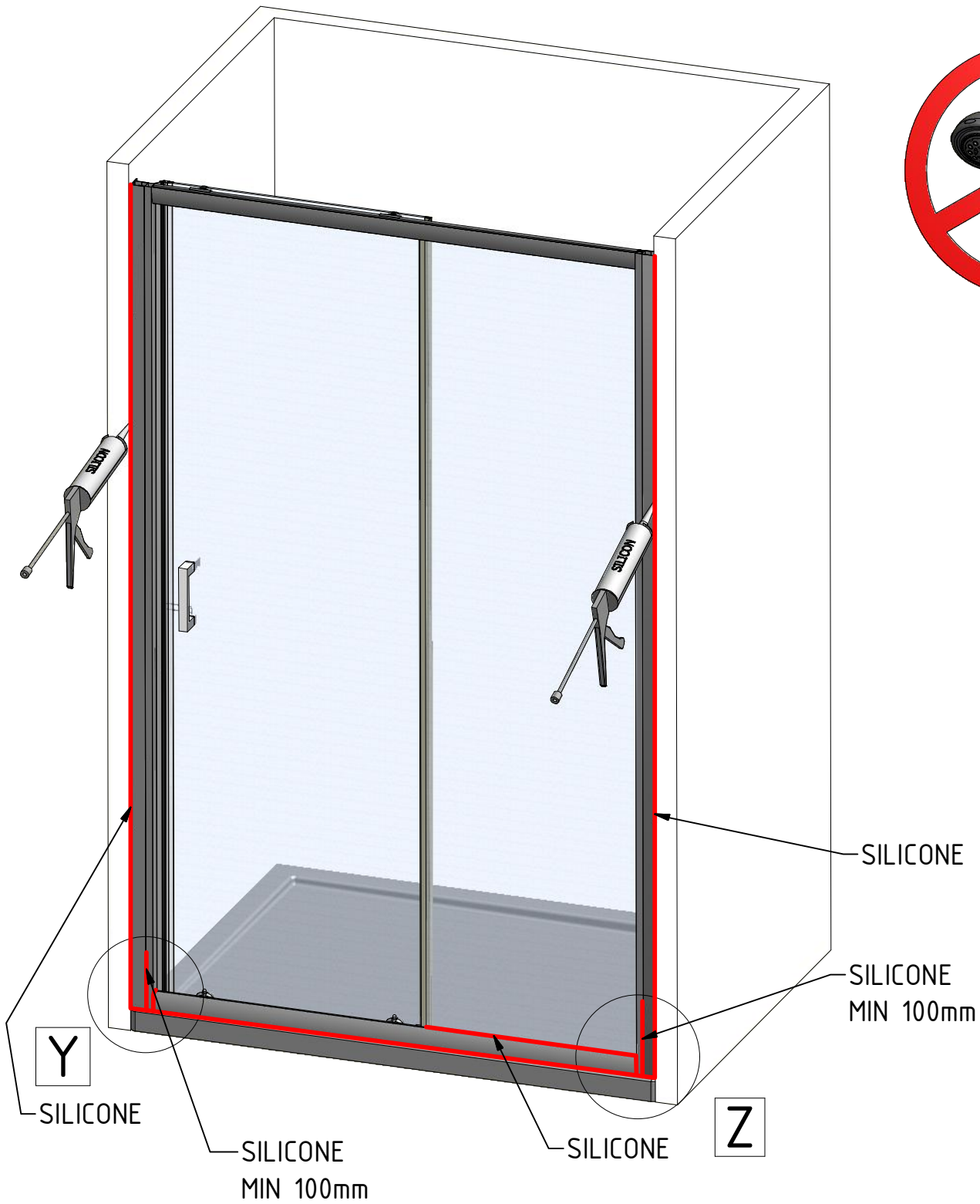


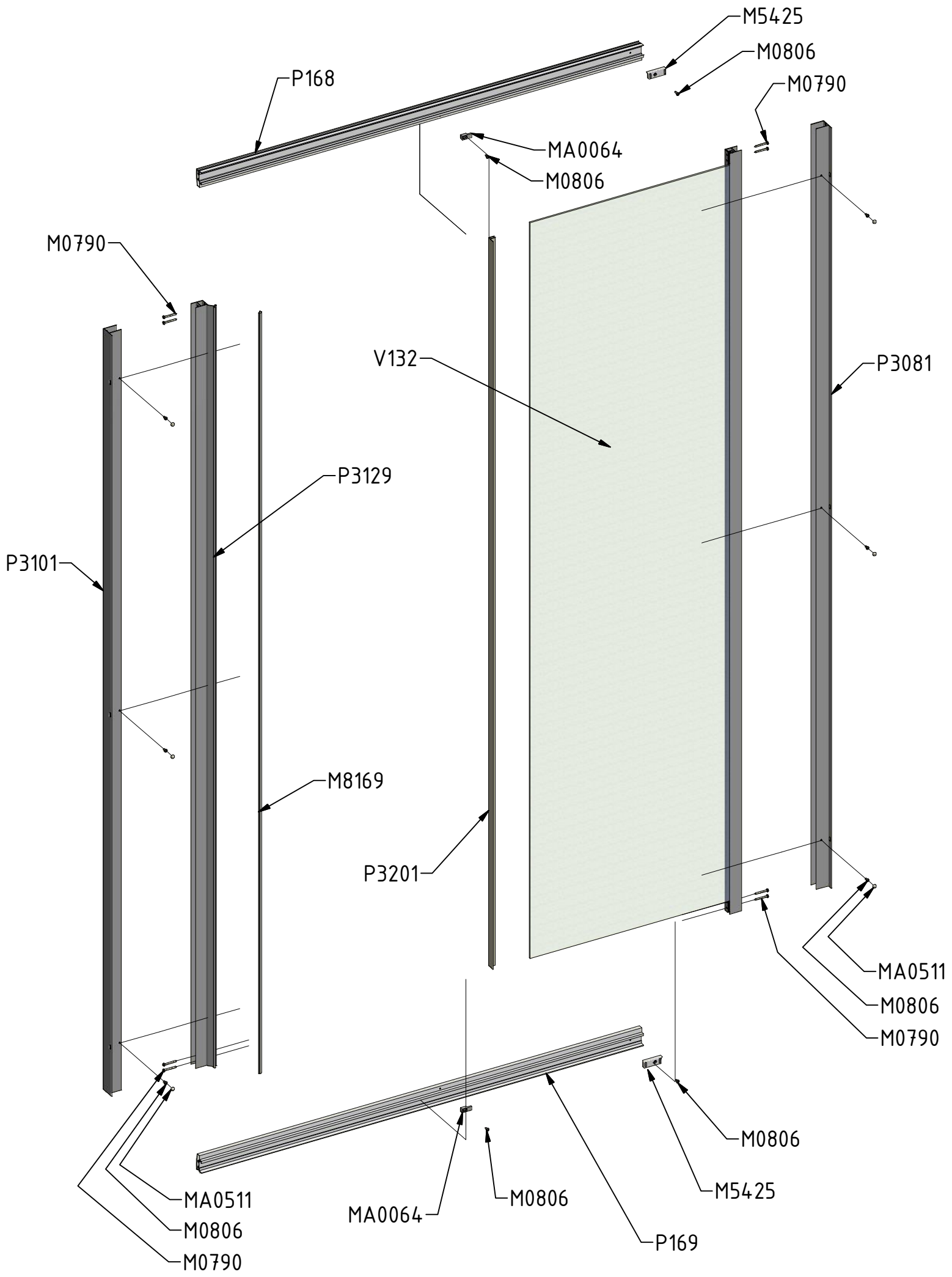
W

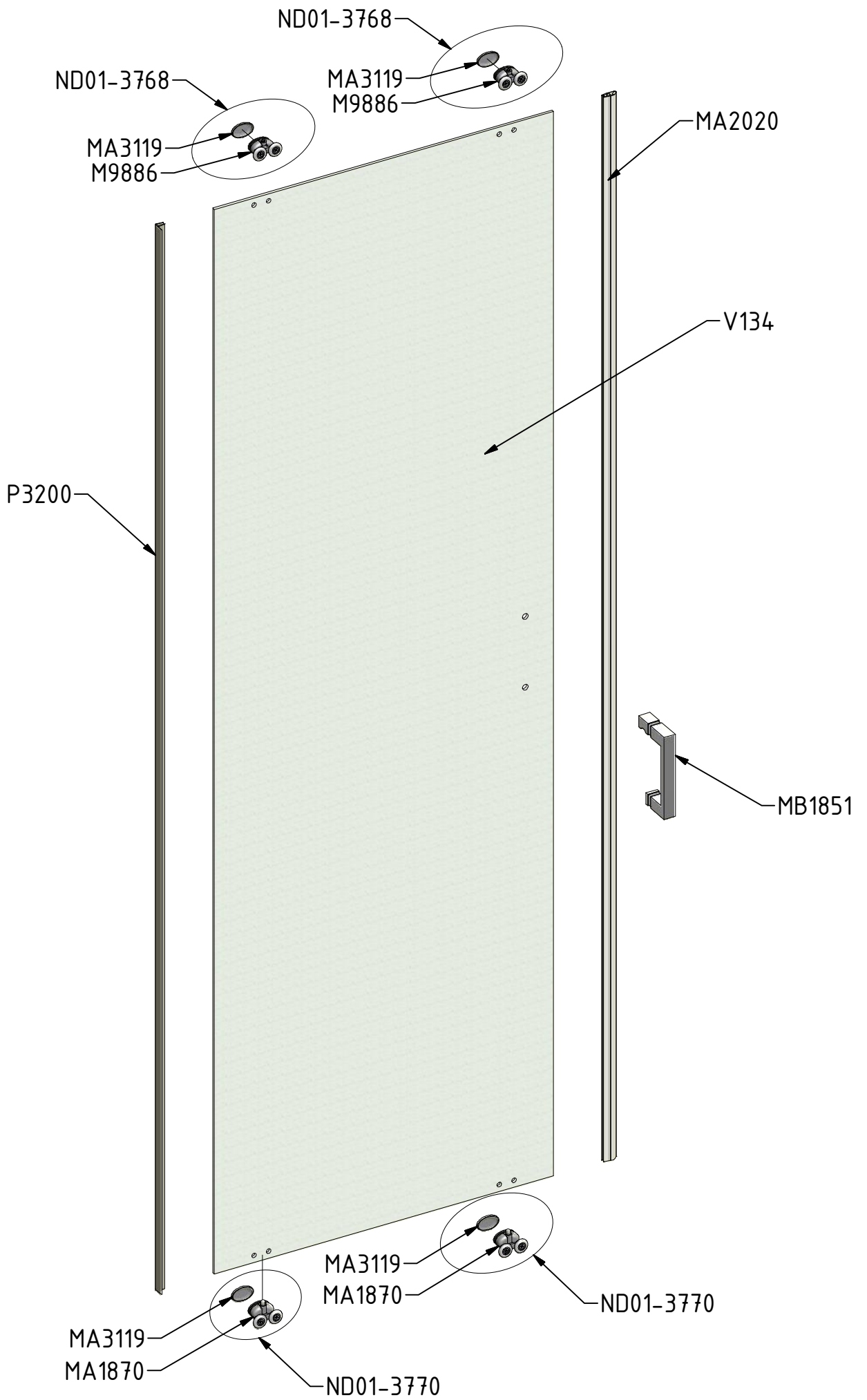


X









V132	1000	brillant+clear glass	ND03-0530-00-02
		brillant+intima	ND03-0530-00-21
	1200	brillant+clear glass	ND03-0531-00-02
		brillant+intima	ND03-0531-00-21
	1300	brillant+clear glass	ND03-0649-00-02
	1400	brillant+clear glass	ND03-0532-00-02
		brillant+intima	ND03-0532-00-21
	1500	brillant+clear glass	ND03-0857-00-02
	1600	brillant+clear glass	ND03-0533-00-02
		brillant+intima	ND03-0533-00-21
	1700	brillant+clear glass	ND03-0700-00-02
		brillant+intima	ND03-0700-00-21
	1800	brillant+clear glass	ND03-0701-00-02
		brillant+intima	ND03-0701-00-21

V134	1000	clear glass	ND02-0665-02
		intima	ND02-0665-21
	1200	clear glass	ND02-0666-02
		intima	ND02-0666-21
	1300	clear glass	ND02-0729-02
	1400	clear glass	ND02-0667-02
		intima	ND02-0667-21
	1500	clear glass	ND02-0883-02
	1600	clear glass	ND02-0668-02
		intima	ND02-0668-21
	1700	clear glass	ND02-0766-02
		intima	ND02-0766-21
	1800	clear glass	ND02-0767-02
		intima	ND02-0767-21

P168	1000	brillant	P3333
	1200		P3335
	1300		P4174
	1400		P3337
	1500		P5772
	1600		P3339
	1700		P4102
	1800		P4104

P169	1000	brillant	P3334
	1200		P3336
	1300		P4175
	1400		P3338
	1500		P5773
	1600		P3340
	1700		P4103
	1800		P4105