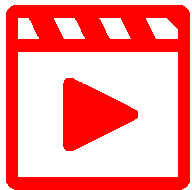
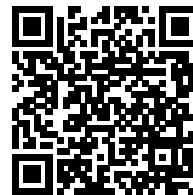


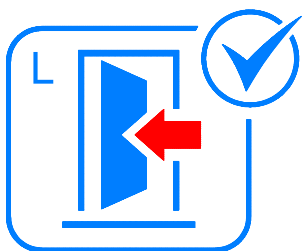
19739



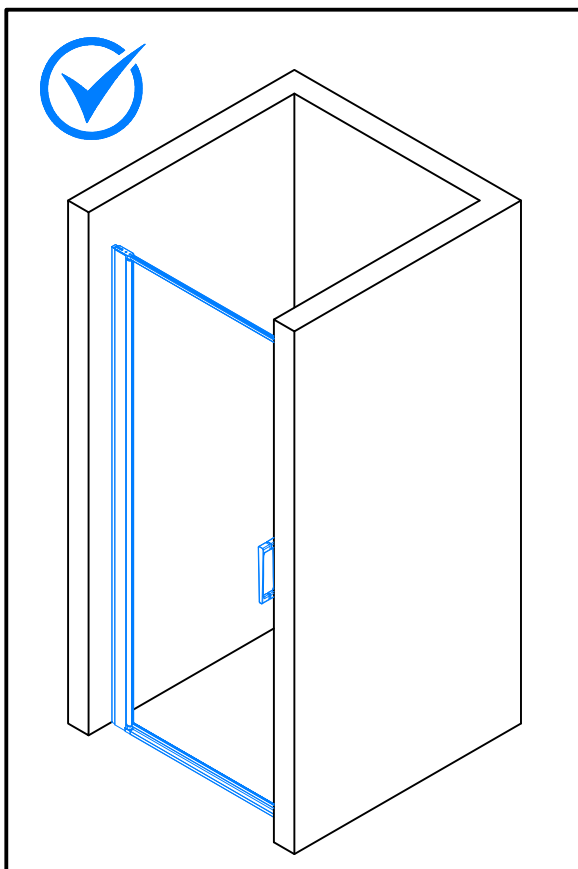
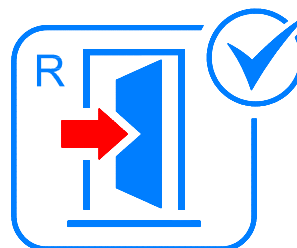
D22T1



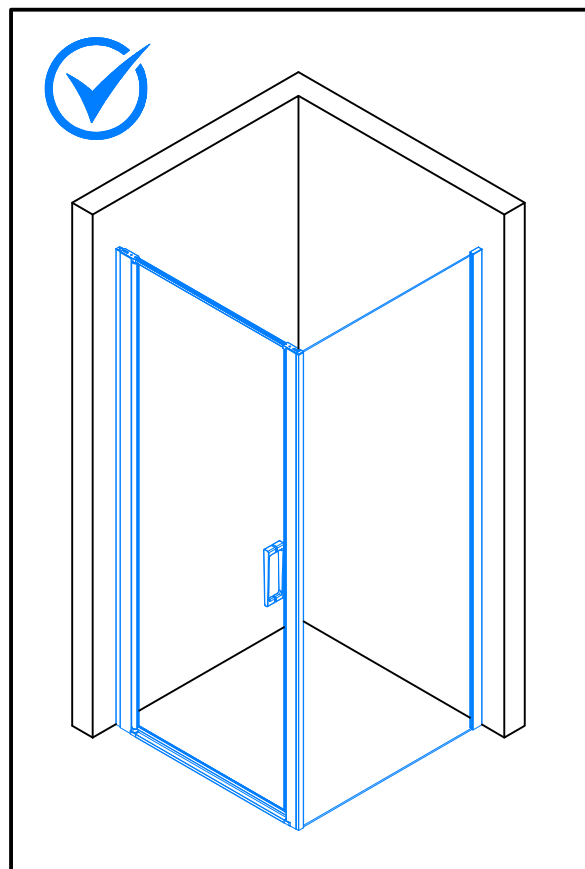
D22T1 + D22F1



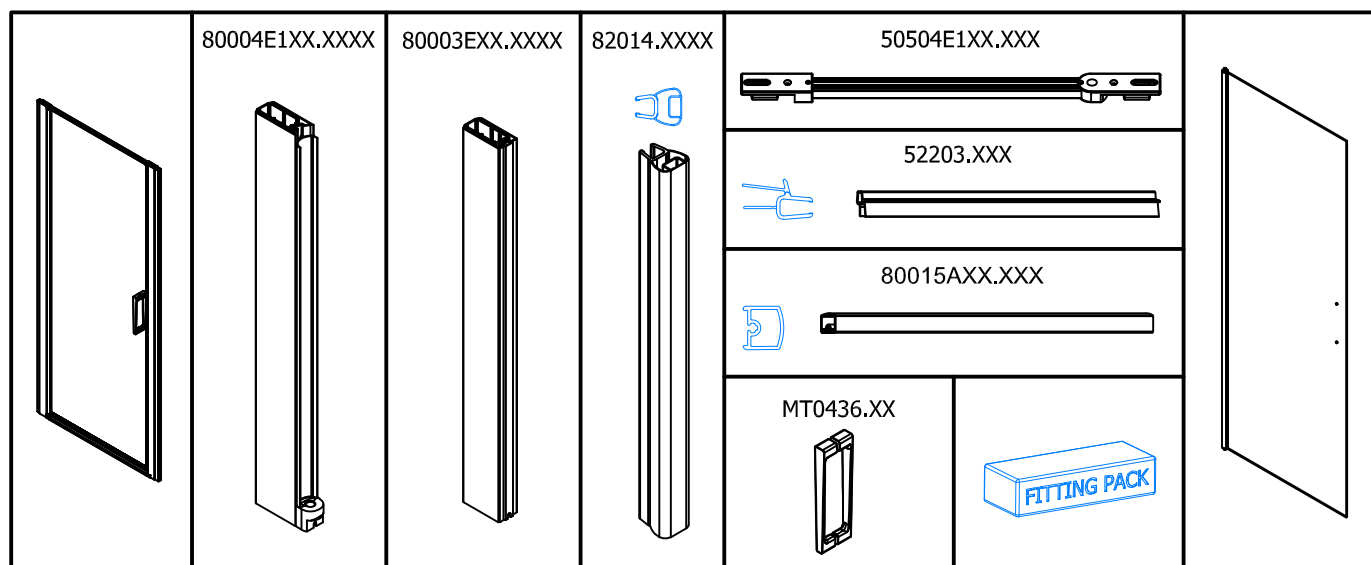
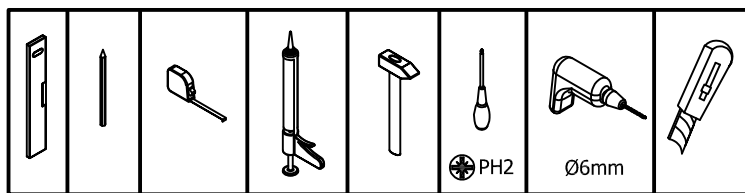
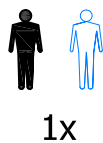
&



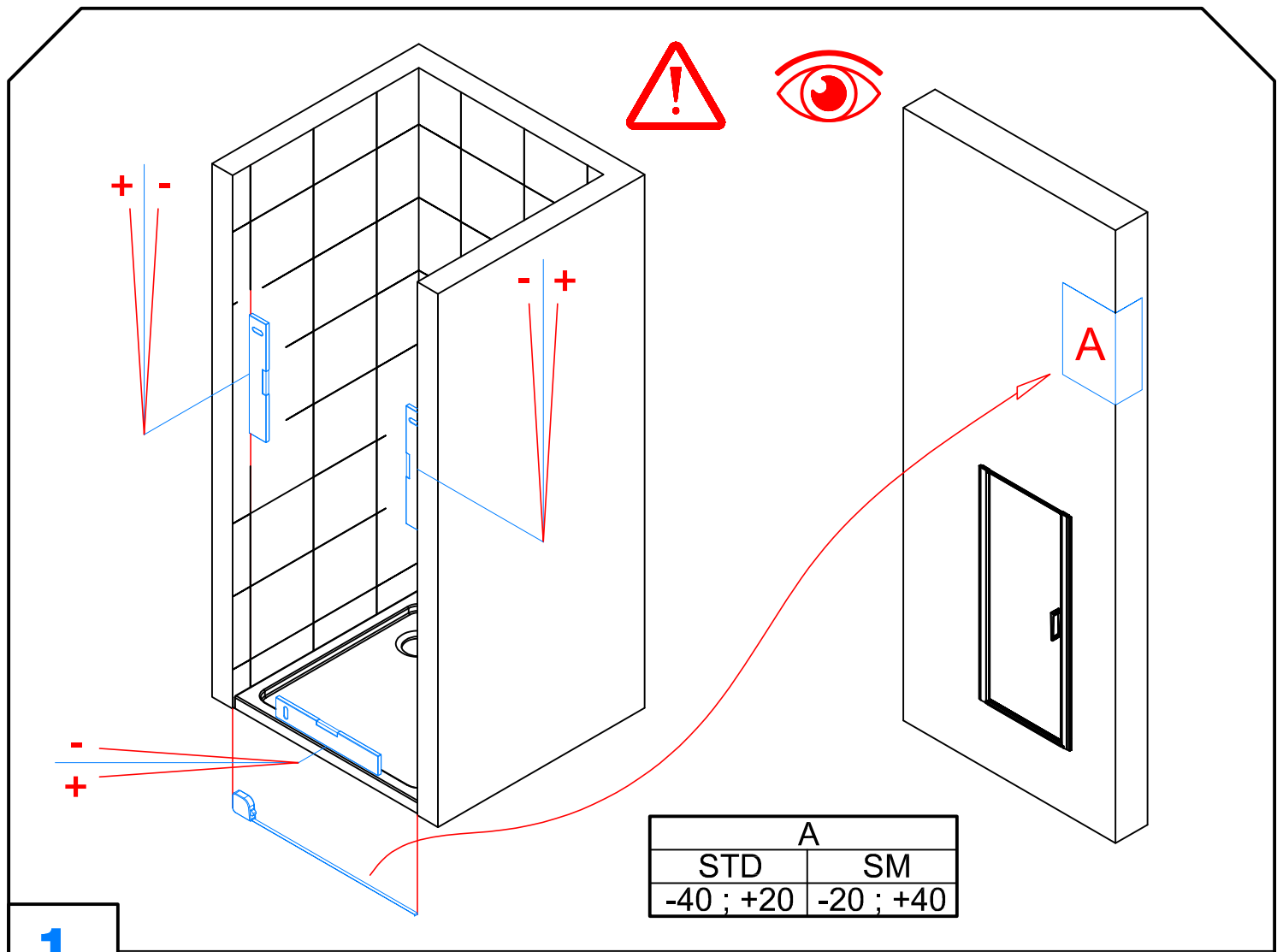
P1. → P12.



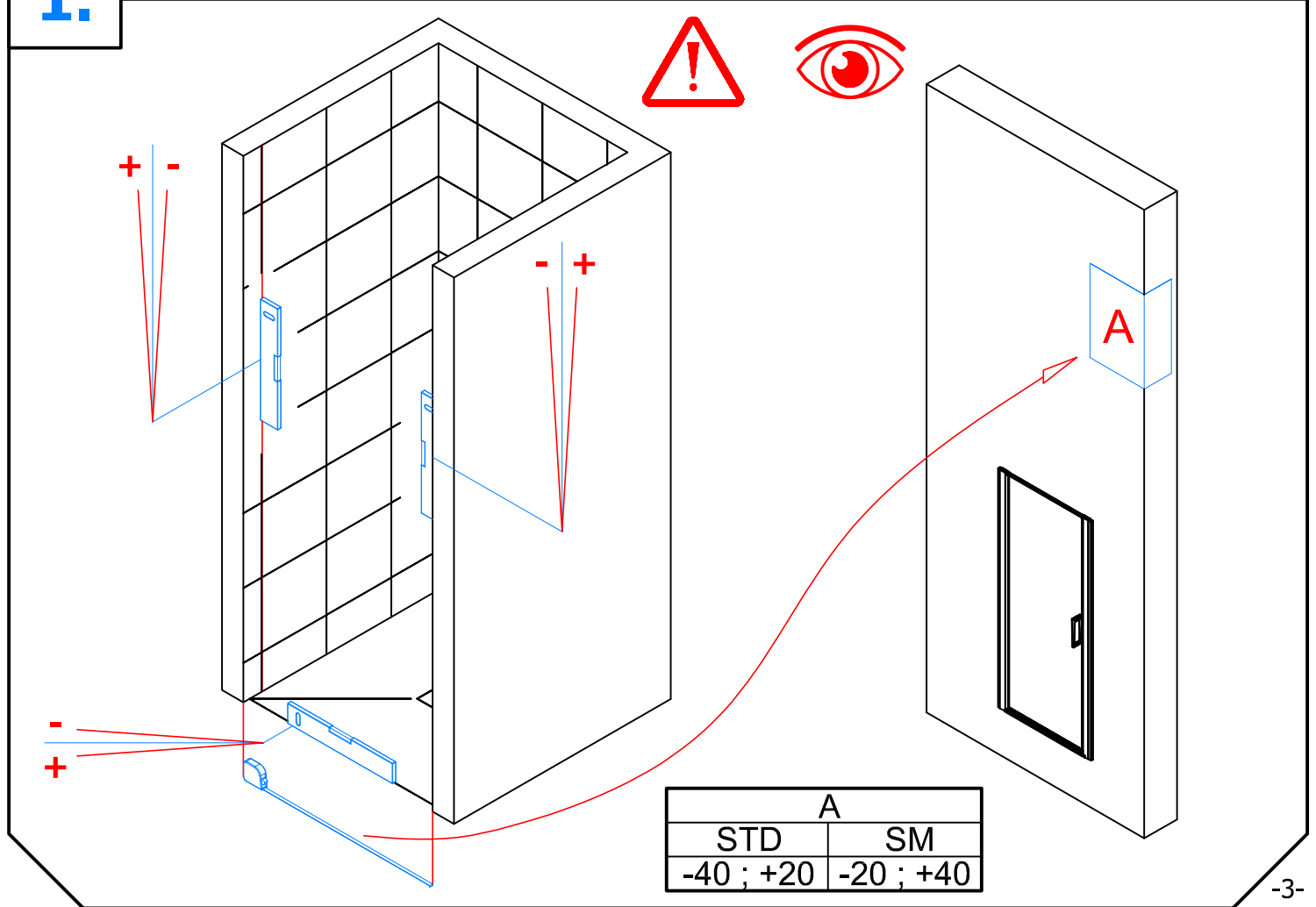
P13. → P31.

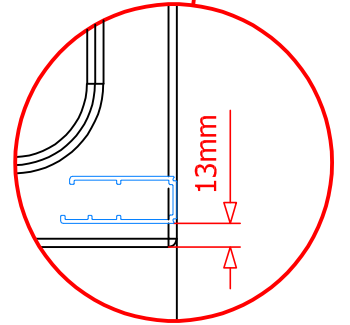
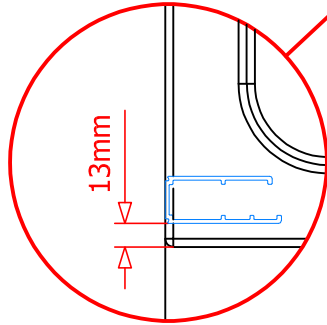
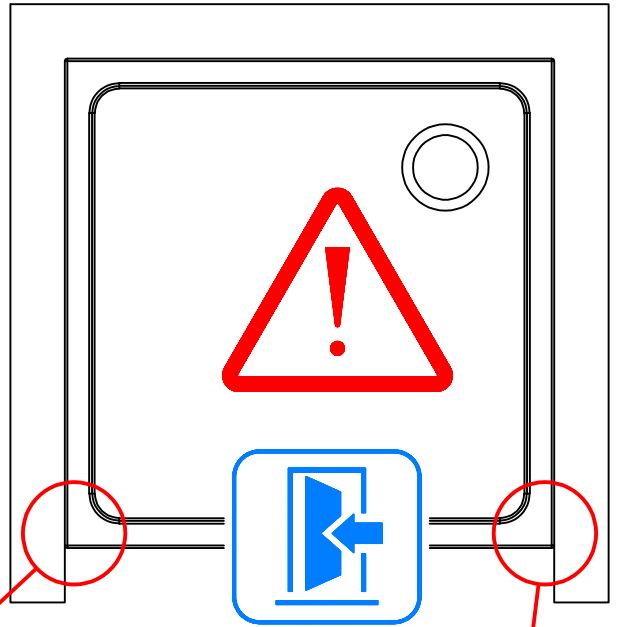
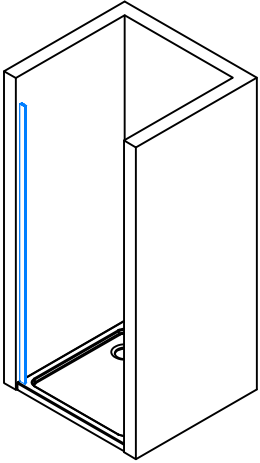


	1 x 11221	6 x 14295 4.2X32mm	2 x 81125.XX	2 x 14196
	2mm - 17158	6 x 16000 ø 6mm	1 x 81158.XX	1 x 81157.XX
	2 x 14293	2 x 14019	1 x 81159.XX	1 x 81160.XX

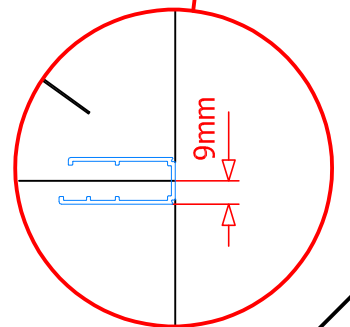
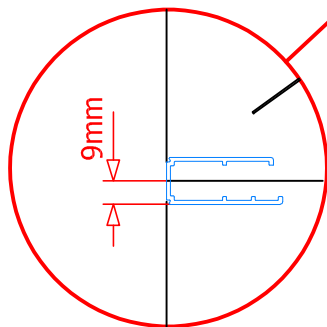
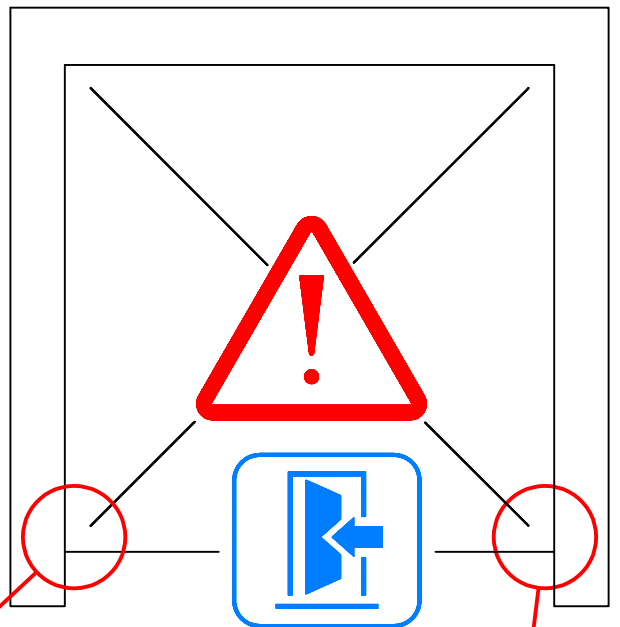
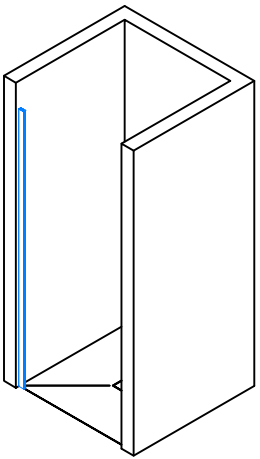


1.

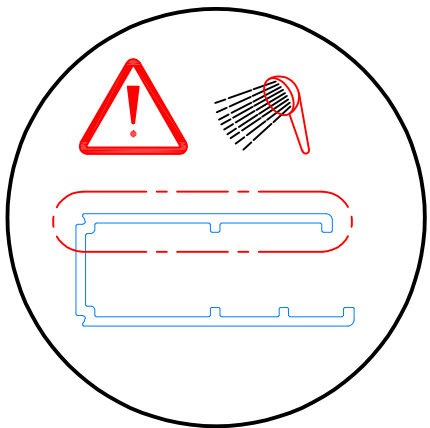




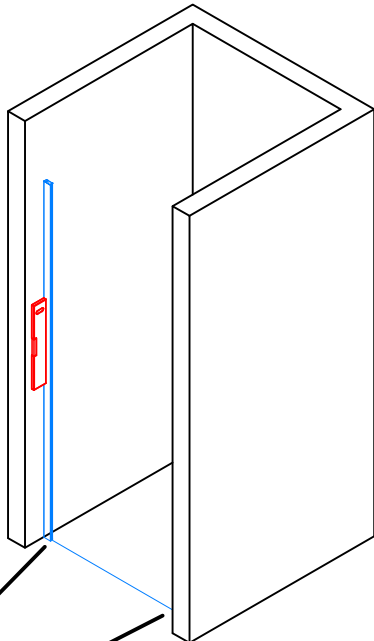
2.



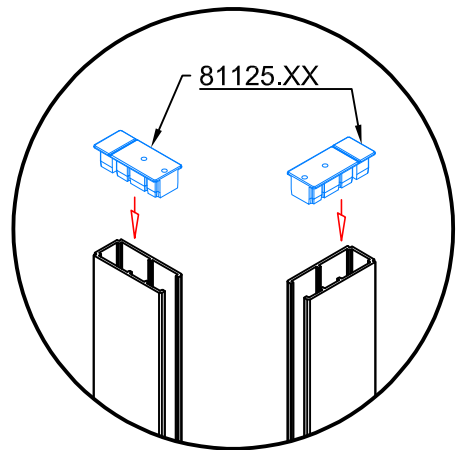
3.1 → 3.4



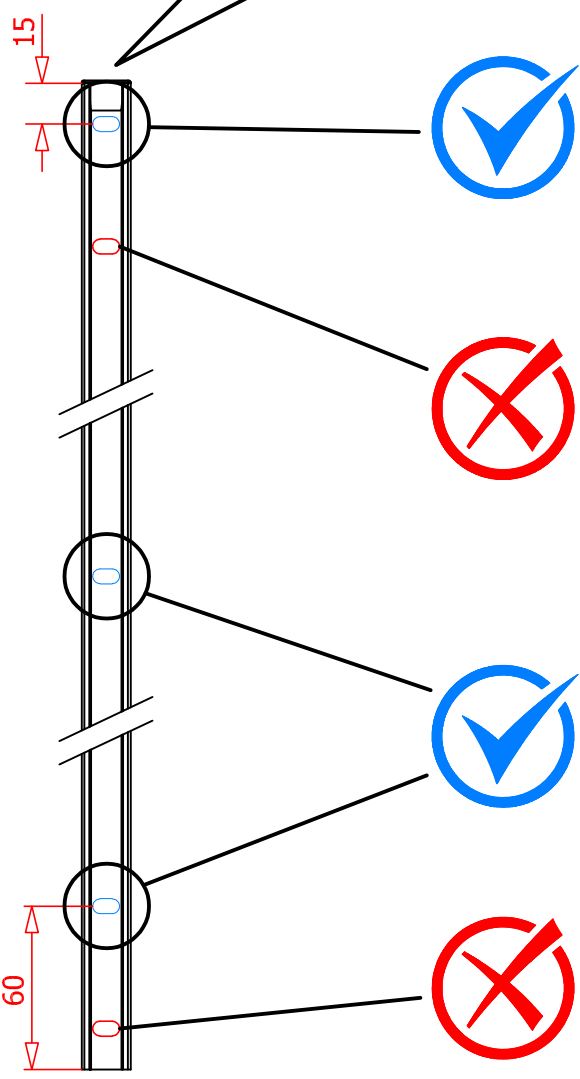
3.1



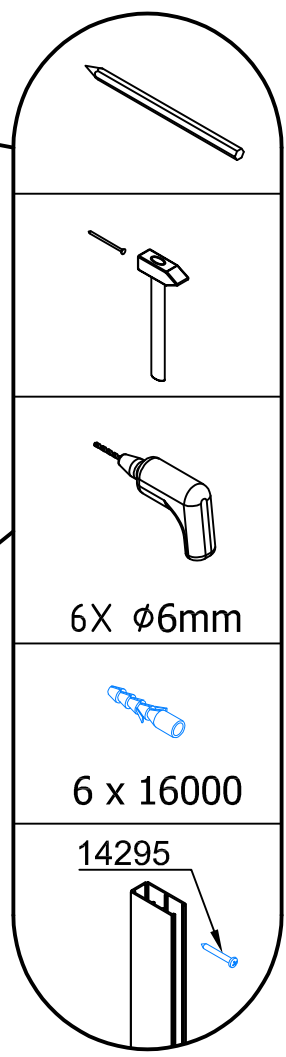
3.2



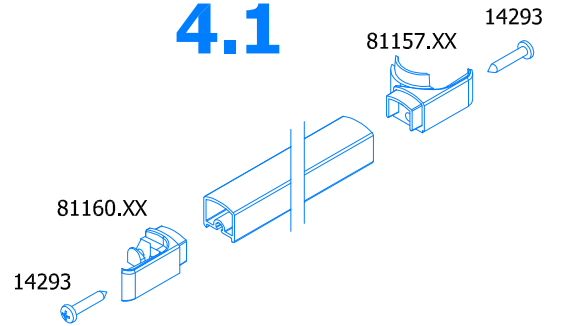
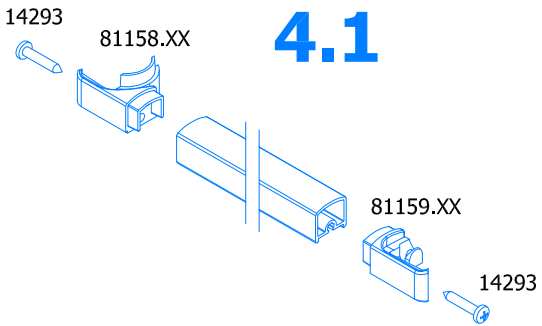
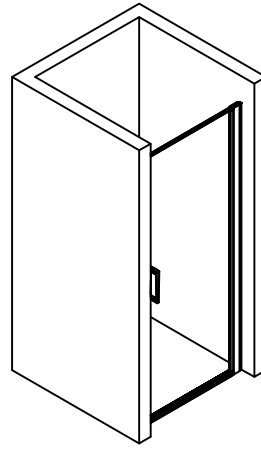
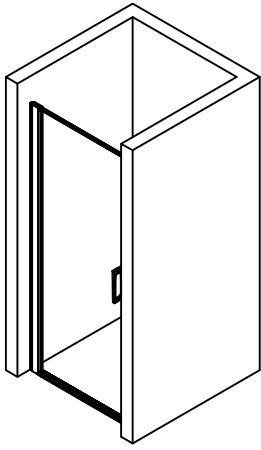
3.4



3.3

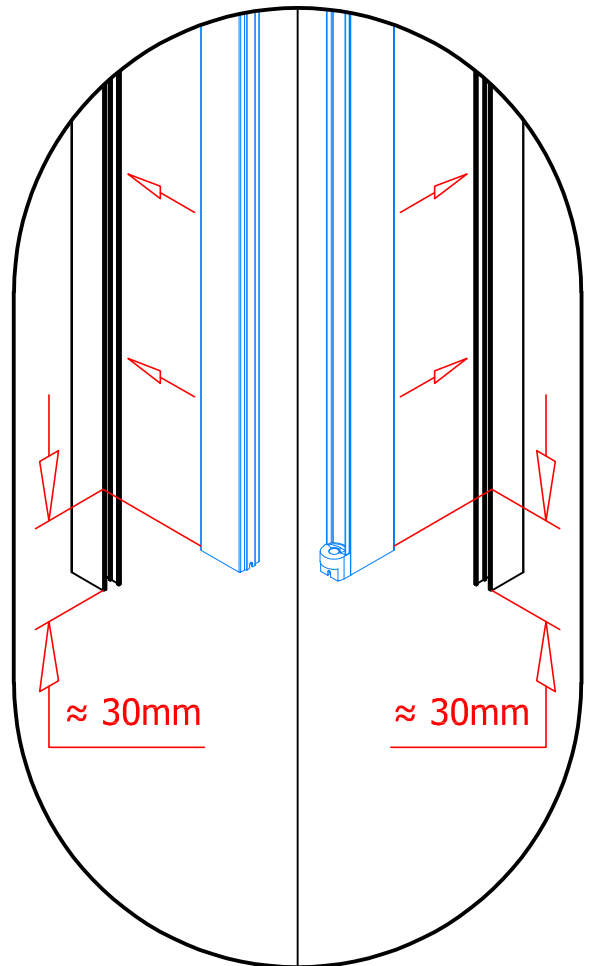
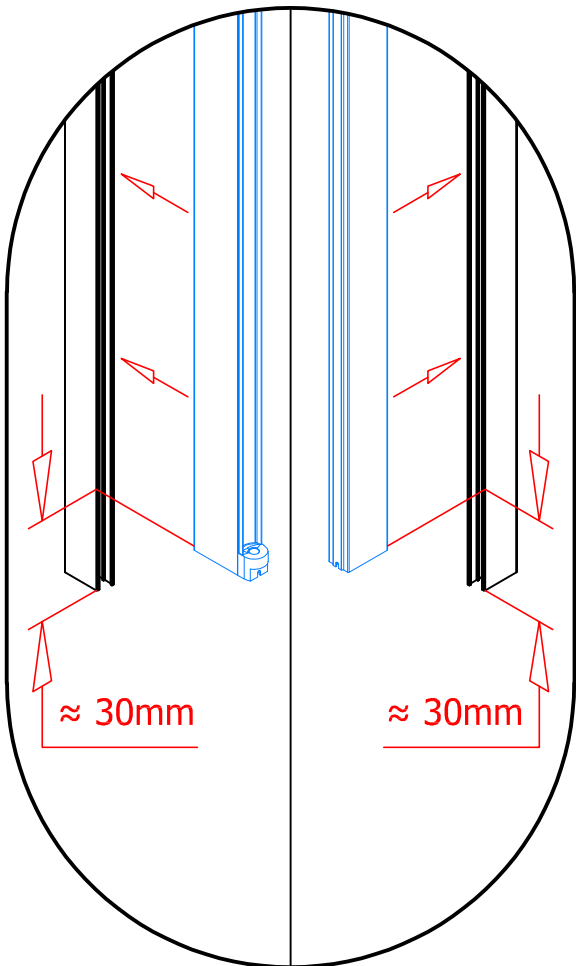


4.1 → 4.2

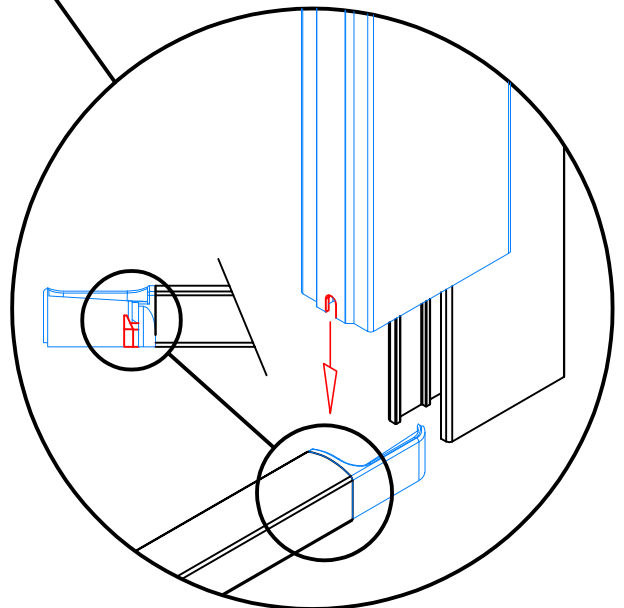
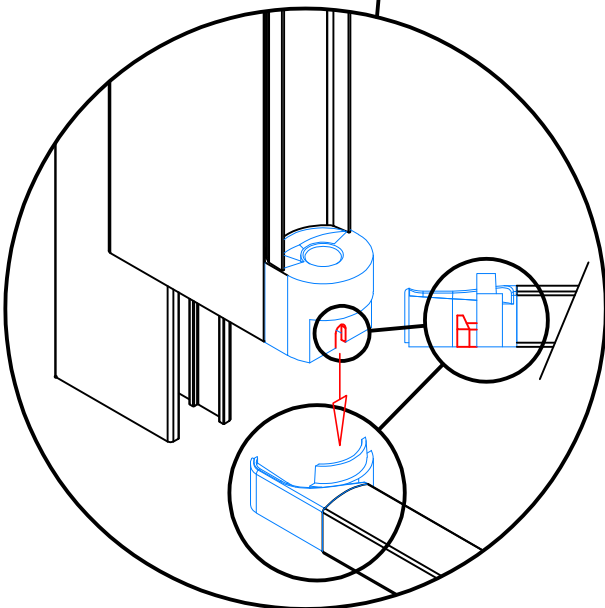
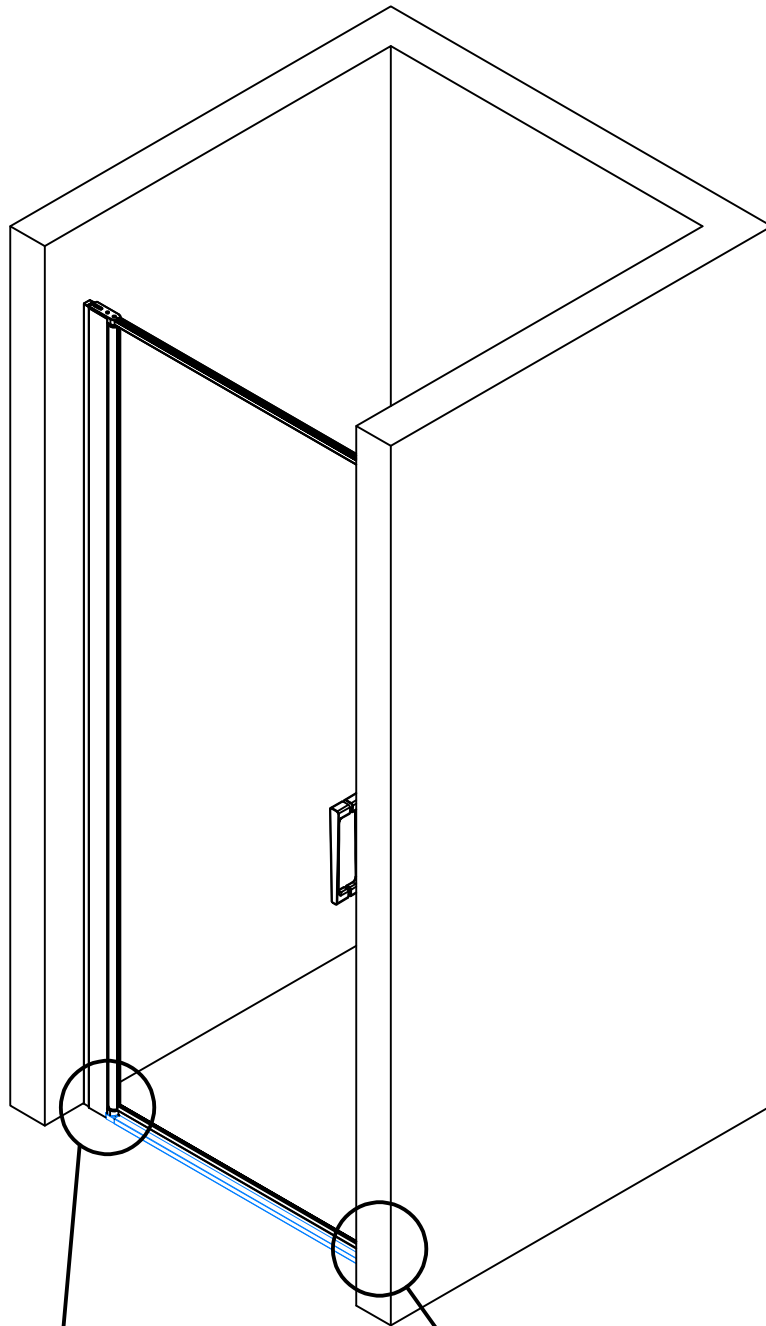


4.2

4.2

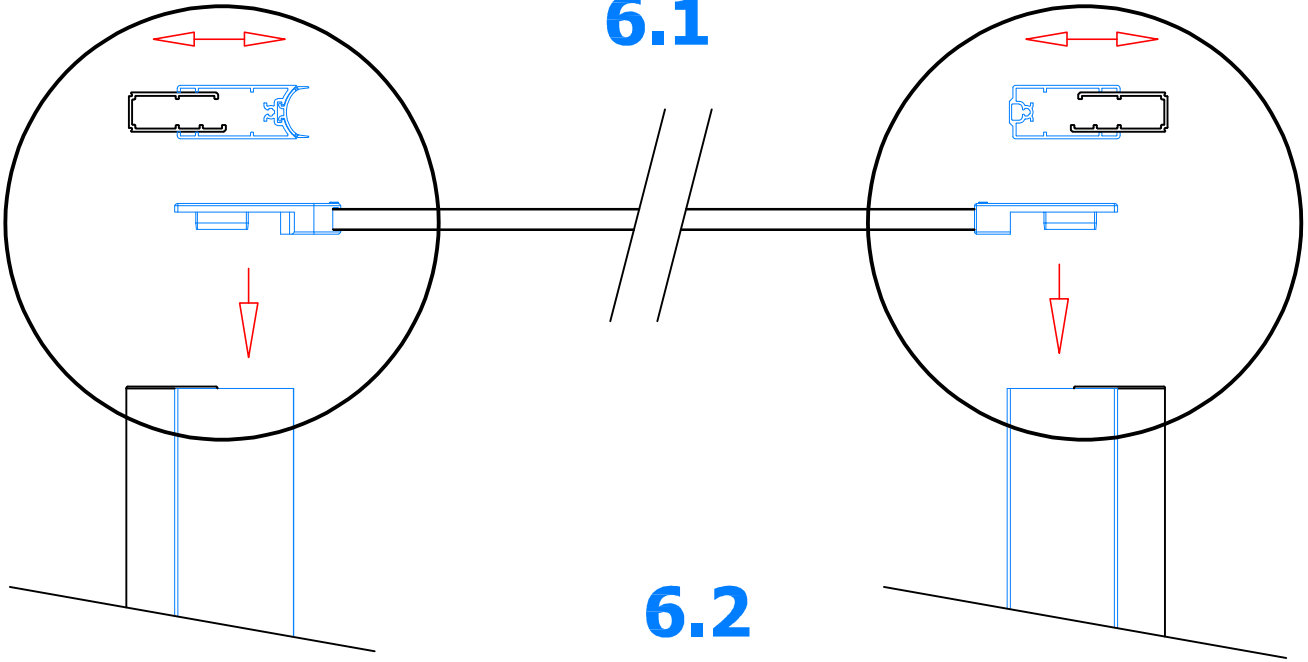


5.

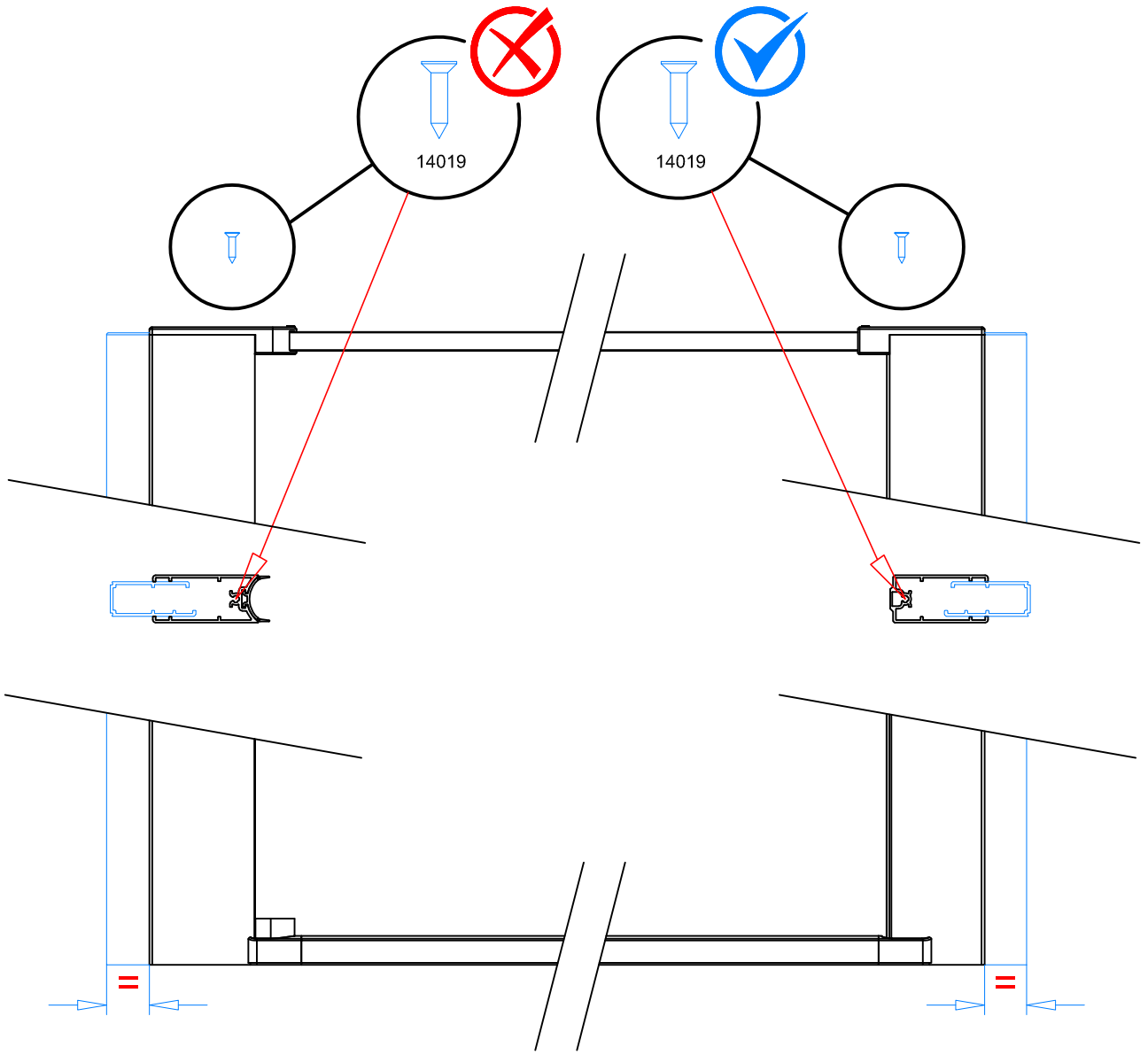


6.1 → 6.2

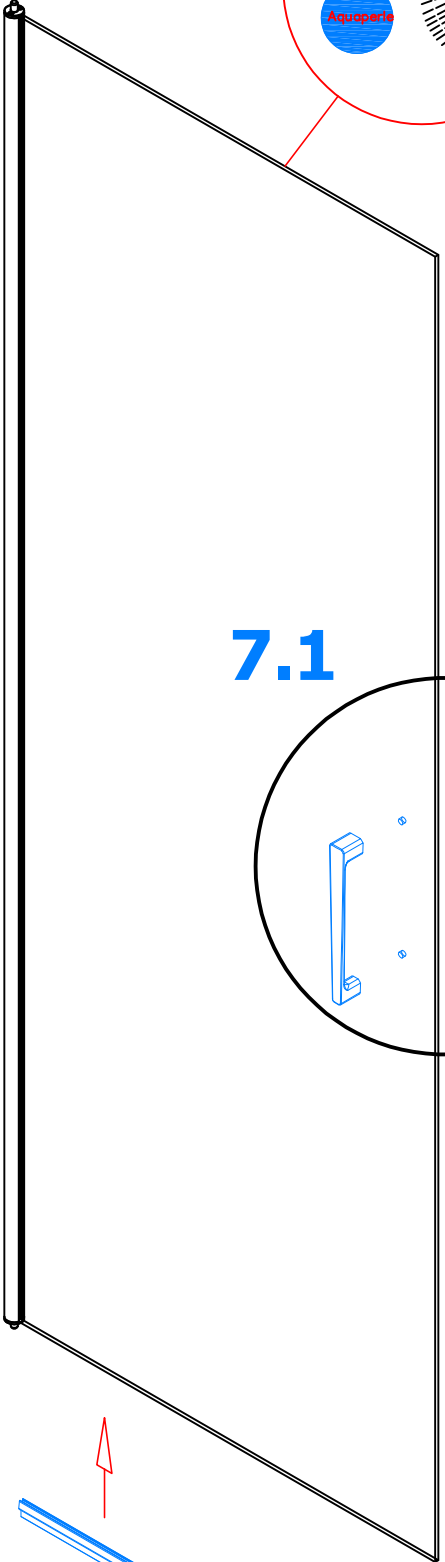
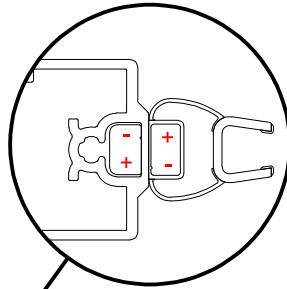
6.1



6.2

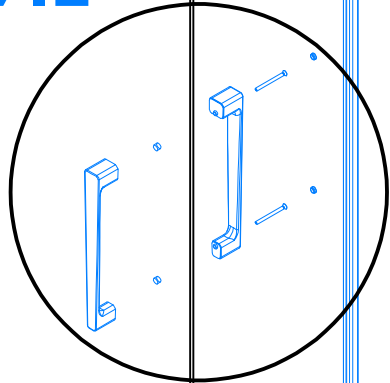


7.1 → 7.4

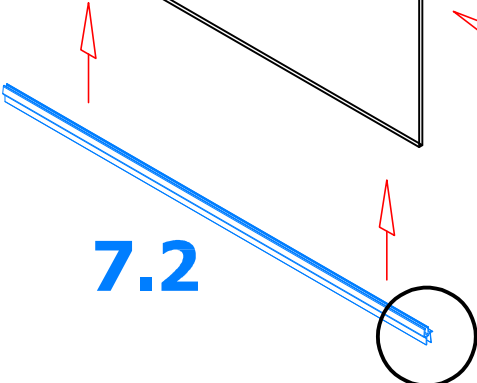
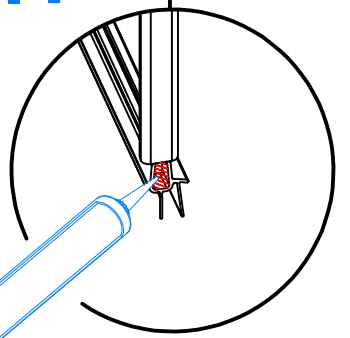


7.1

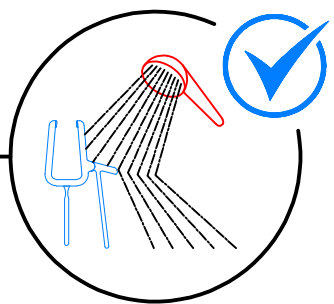
7.3



7.4



7.2



8.1 → 8.4

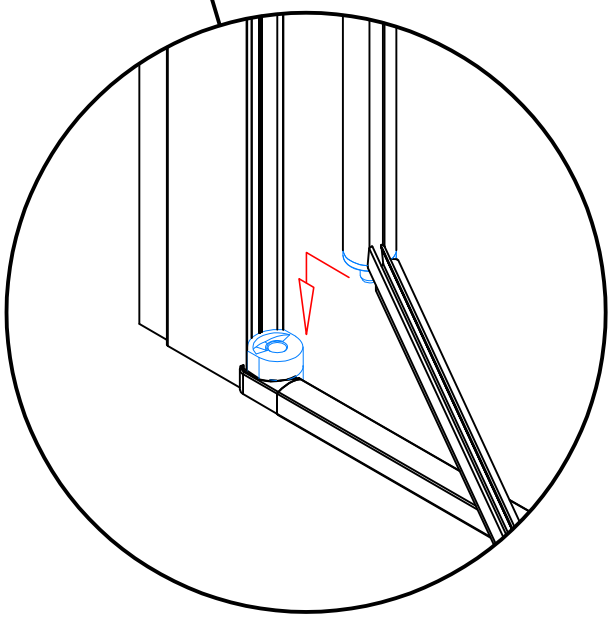
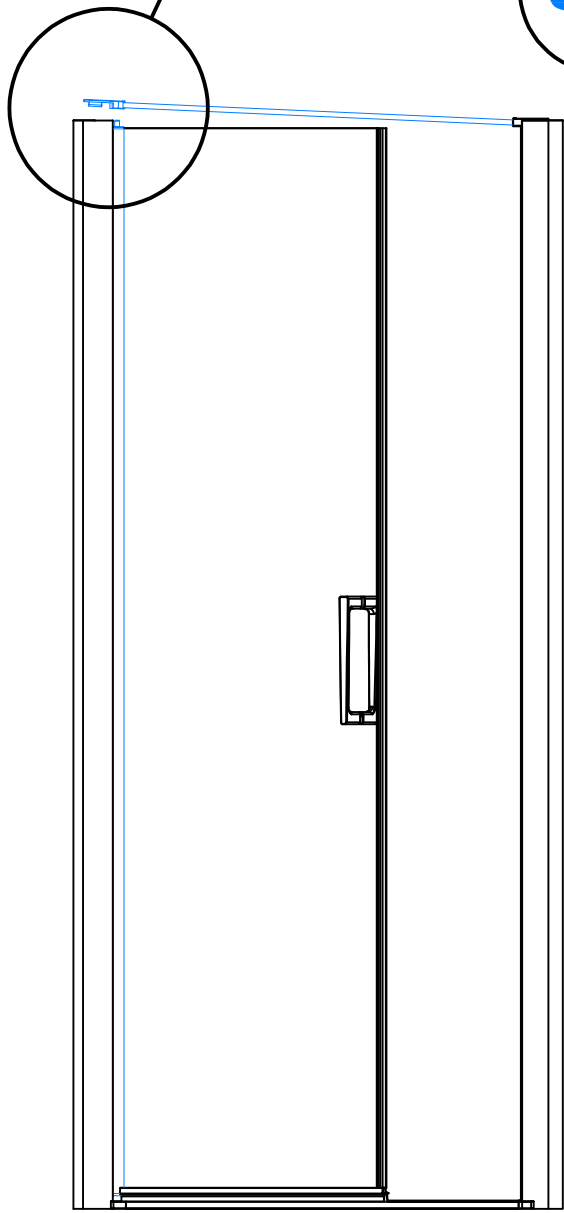
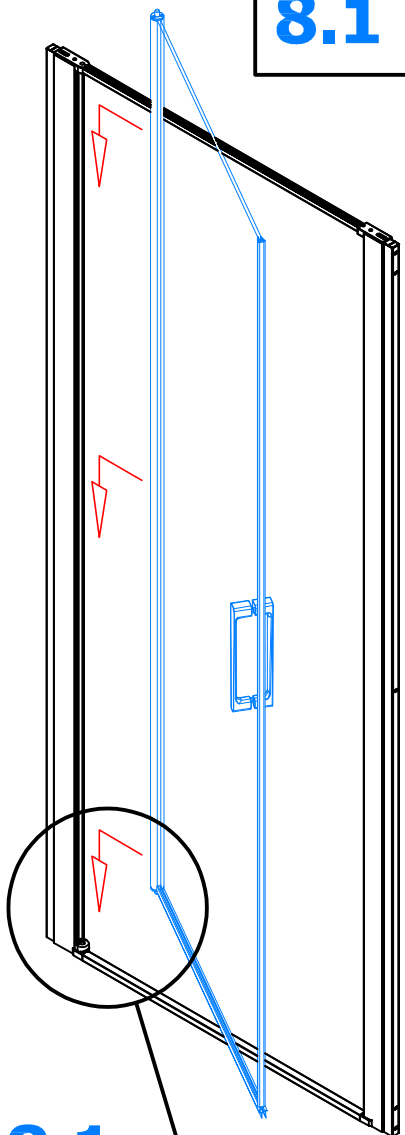
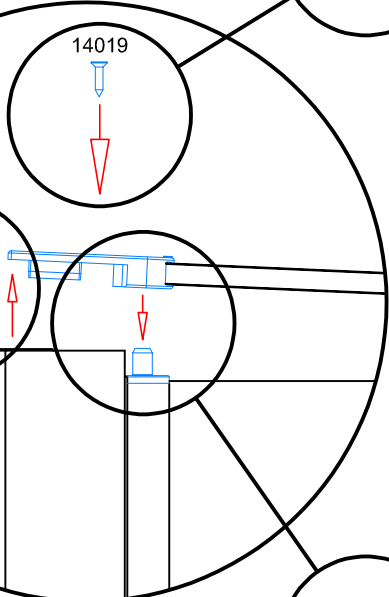
8.4

8.2

**Maxi.
15mm**

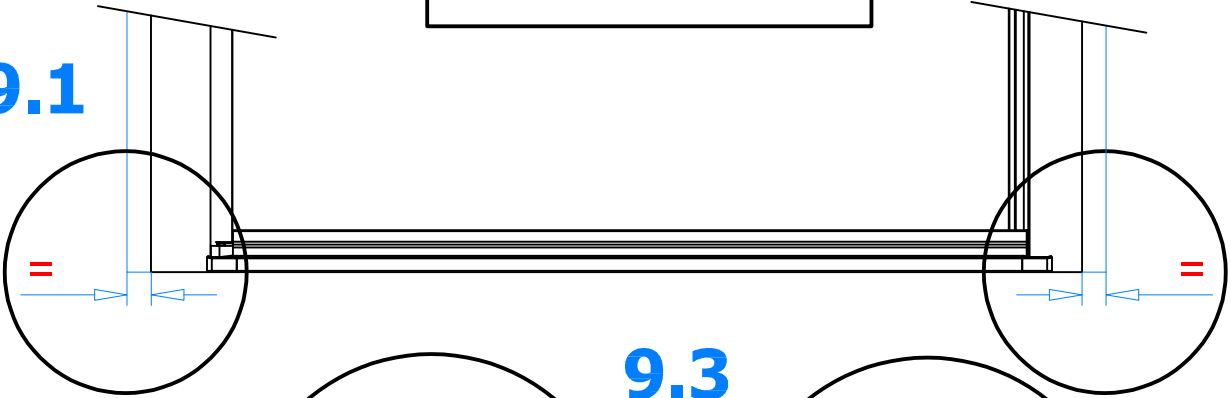
8.3

8.1

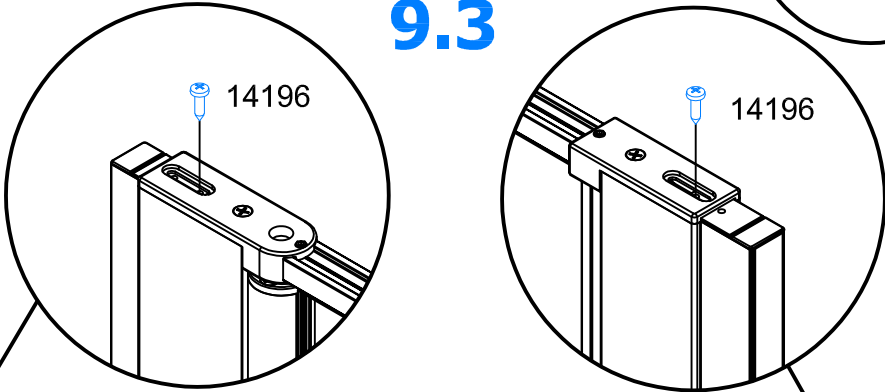


9.1 → 9.4

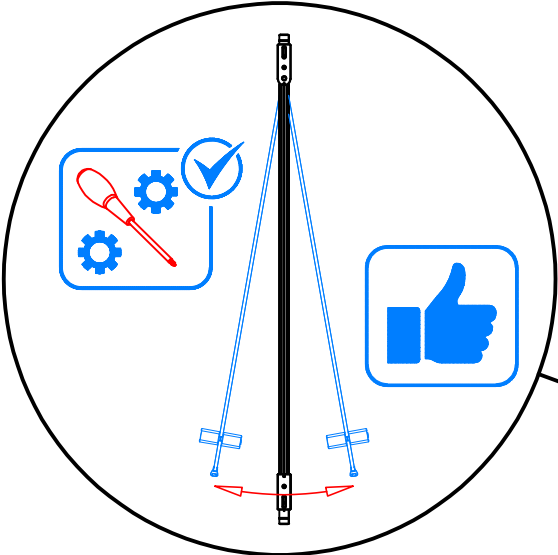
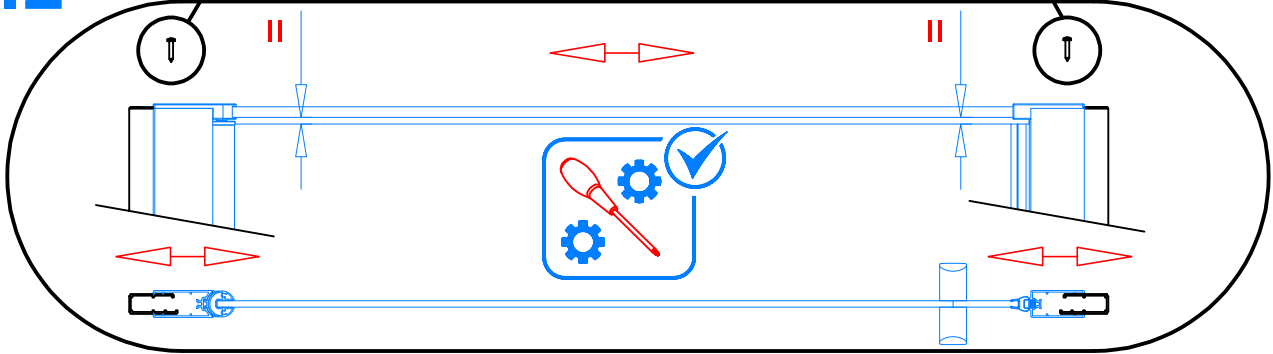
9.1



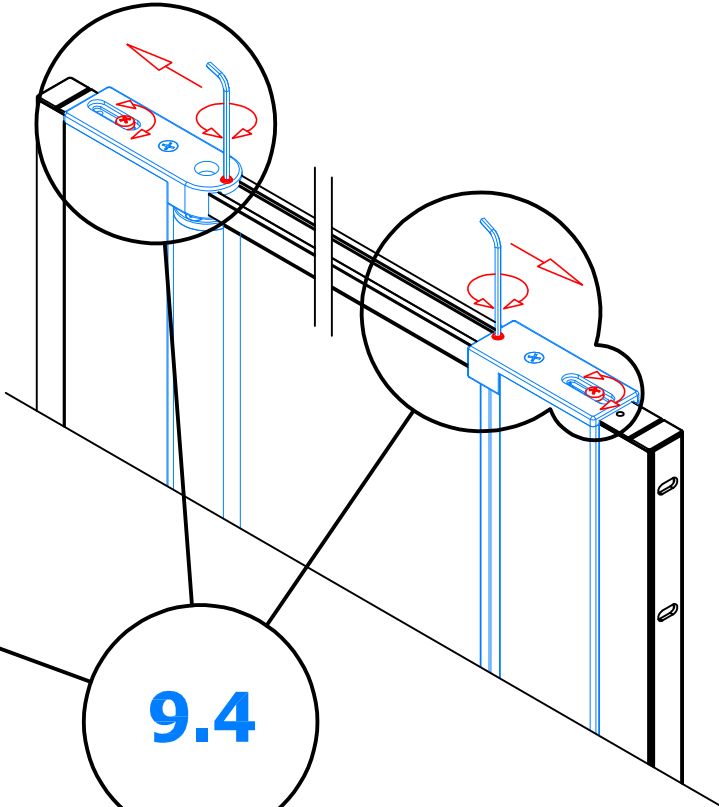
9.3



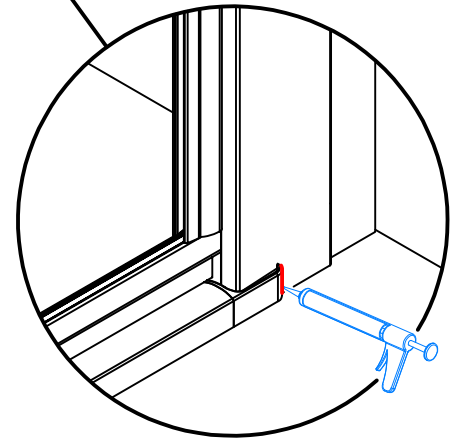
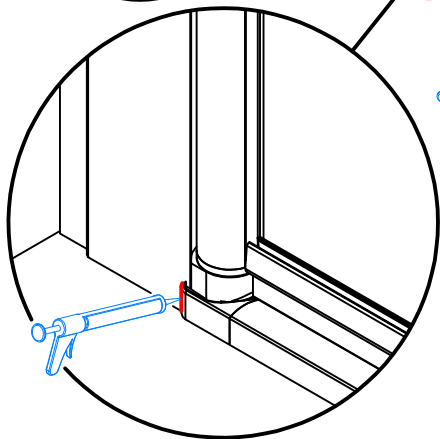
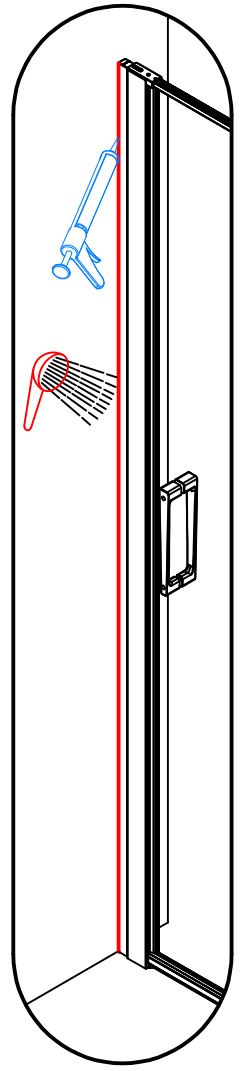
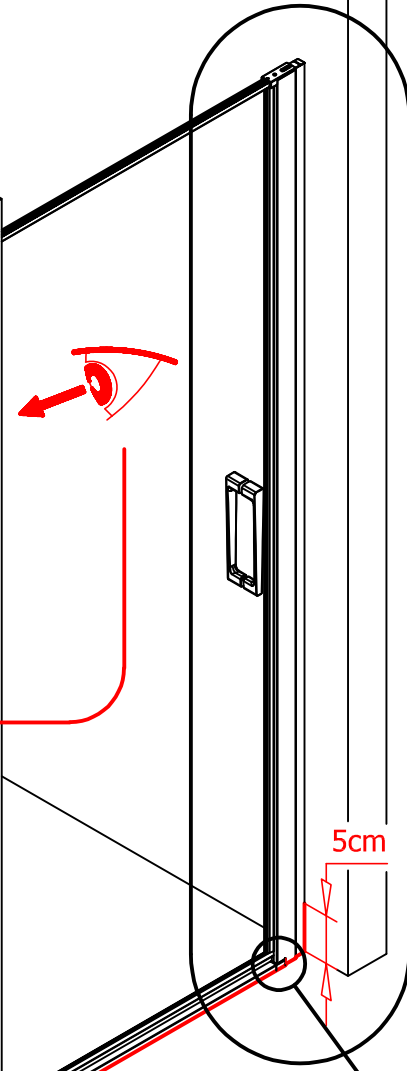
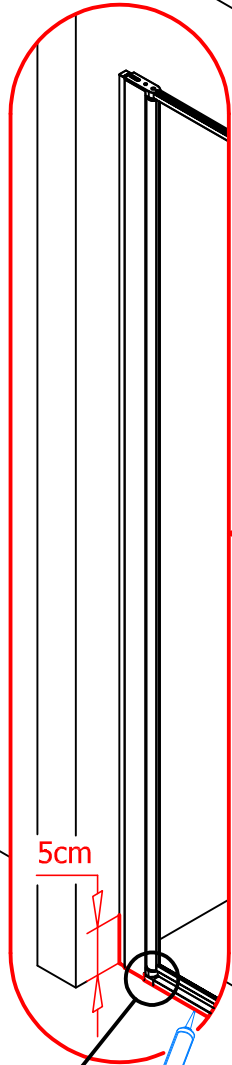
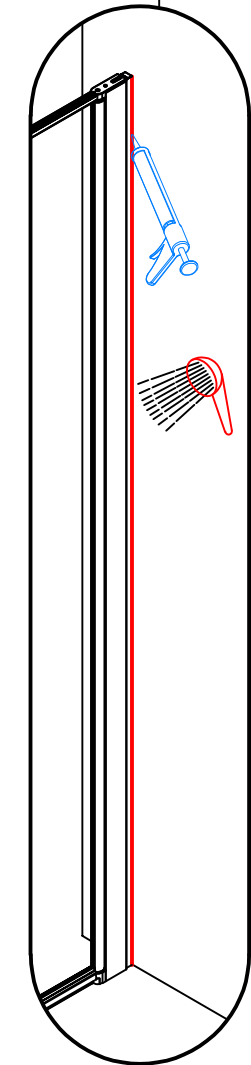
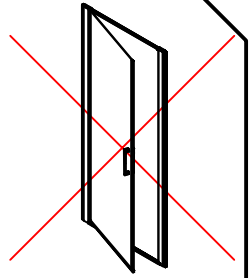
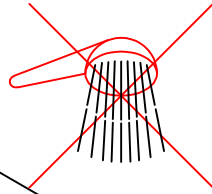
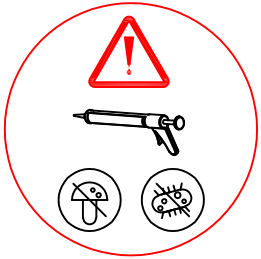
9.2



9.4

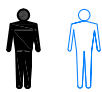
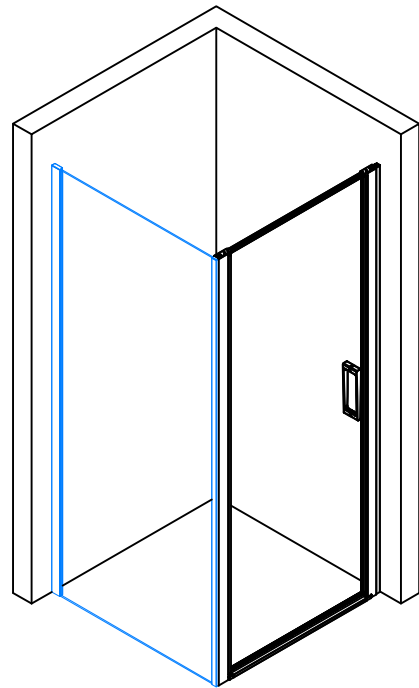
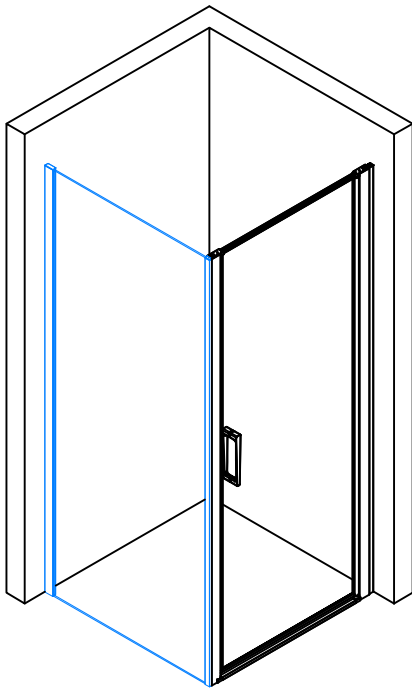
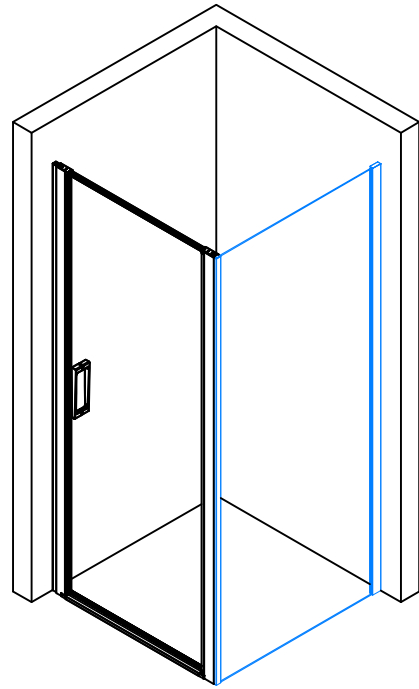
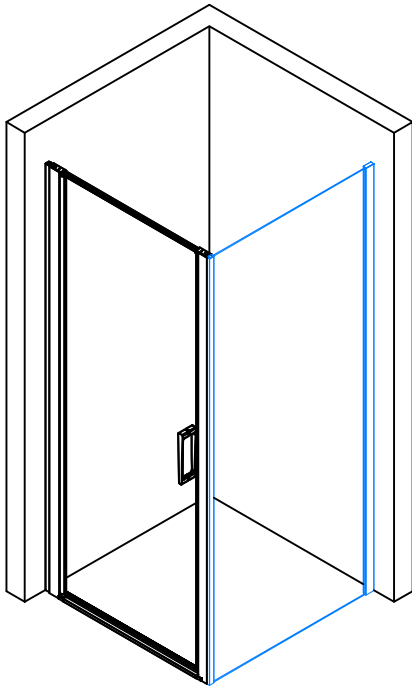


10.

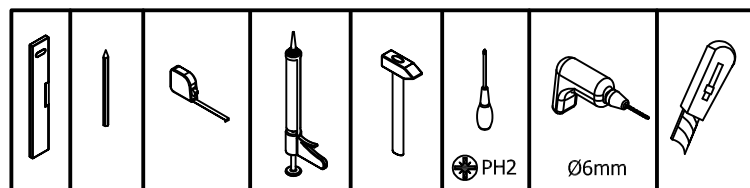


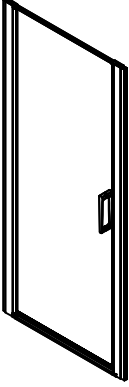
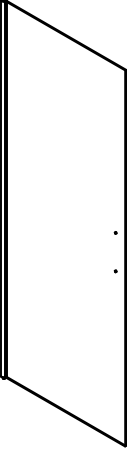
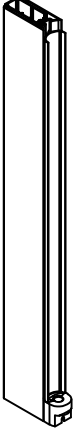




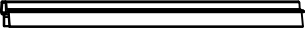









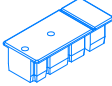









P13. → P31.

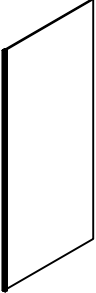

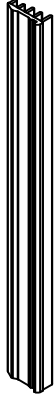
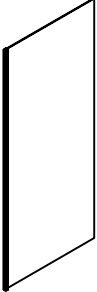





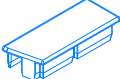

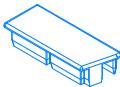
1x

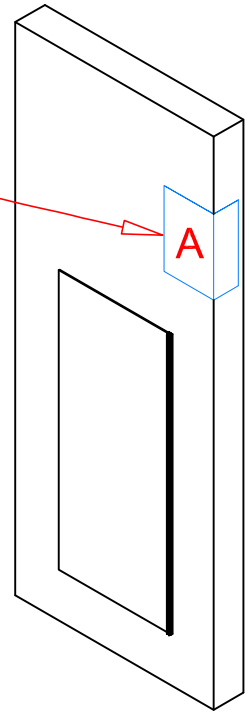
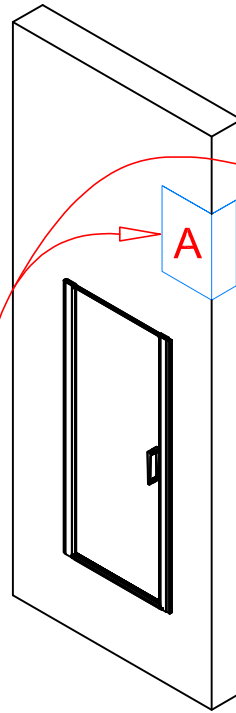
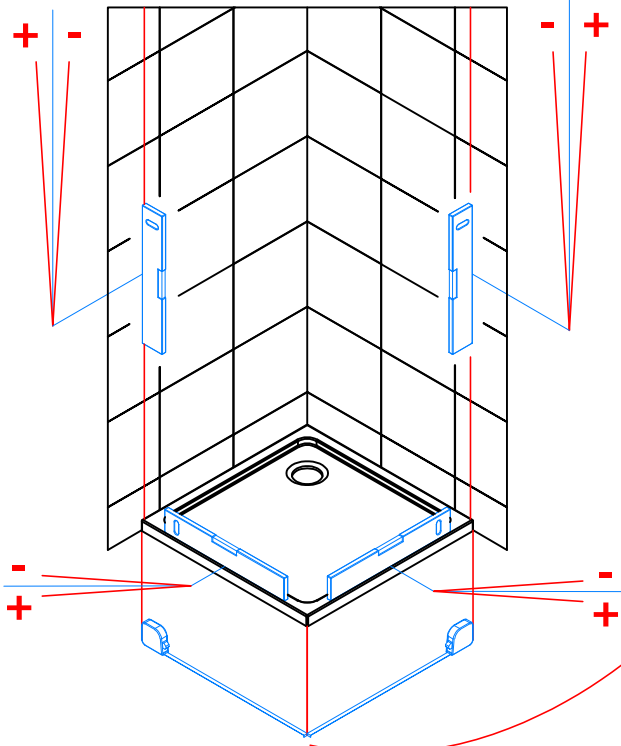


	80004E1XX.XXXX	80003EXX.XXXX	82014.XXXX	50504E1XX.XXX		
					52203.XXX	
					80015AXX.XXX	
						
			MT0436.XX			

	 1 x 11221	 6 x 14295 4.2X32mm	 2 x 81125.XX	 2 x 14196
	 2mm - 17158	 6 x 16000 ø 6mm	 1 x 81158.XX	 1 x 81157.XX
	 2 x 14293	 2 x 14019	 1 x 81159.XX	 1 x 81160.XX

	1X 82006.XXXX	
		
		

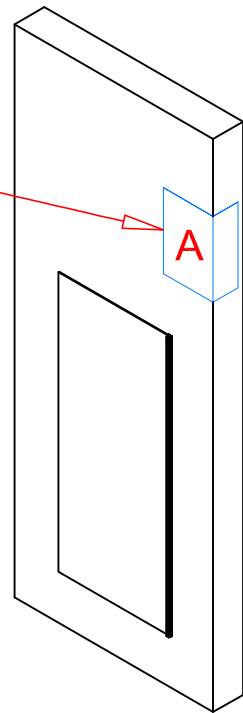
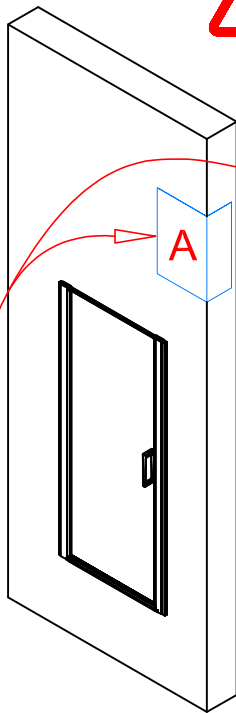
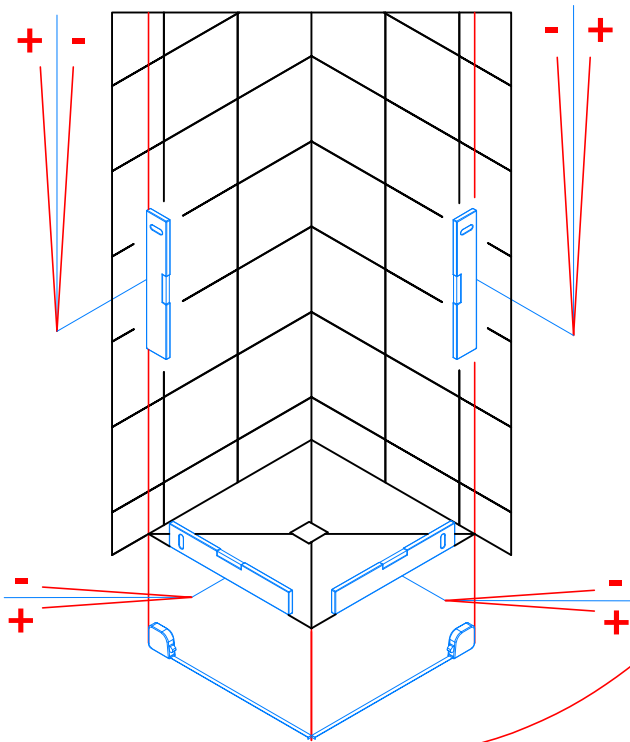
	 1 x 81122.XX	 51209
	 1 x 81123.XX	 81169
	 1 x 81124.XX	



A	
STD	SM
-20 ; +10	-10 ; +20

A	
STD	SM
-20 ; +5	-10 ; +15

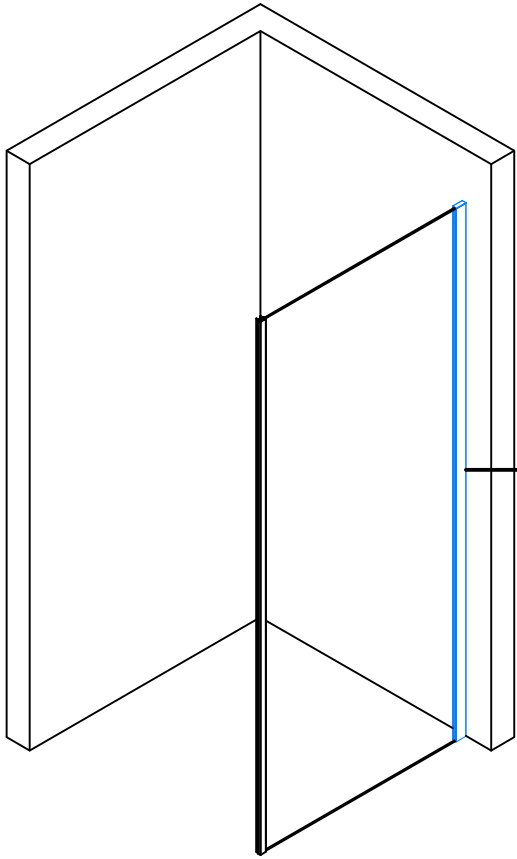
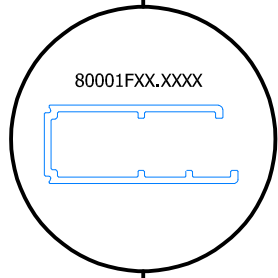
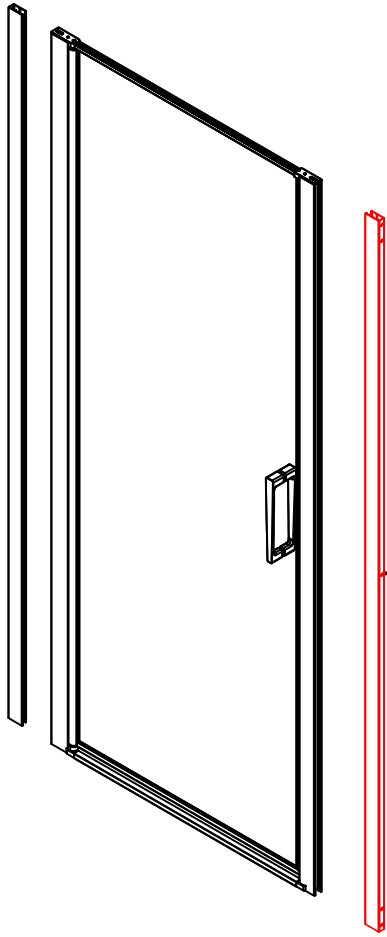
11.

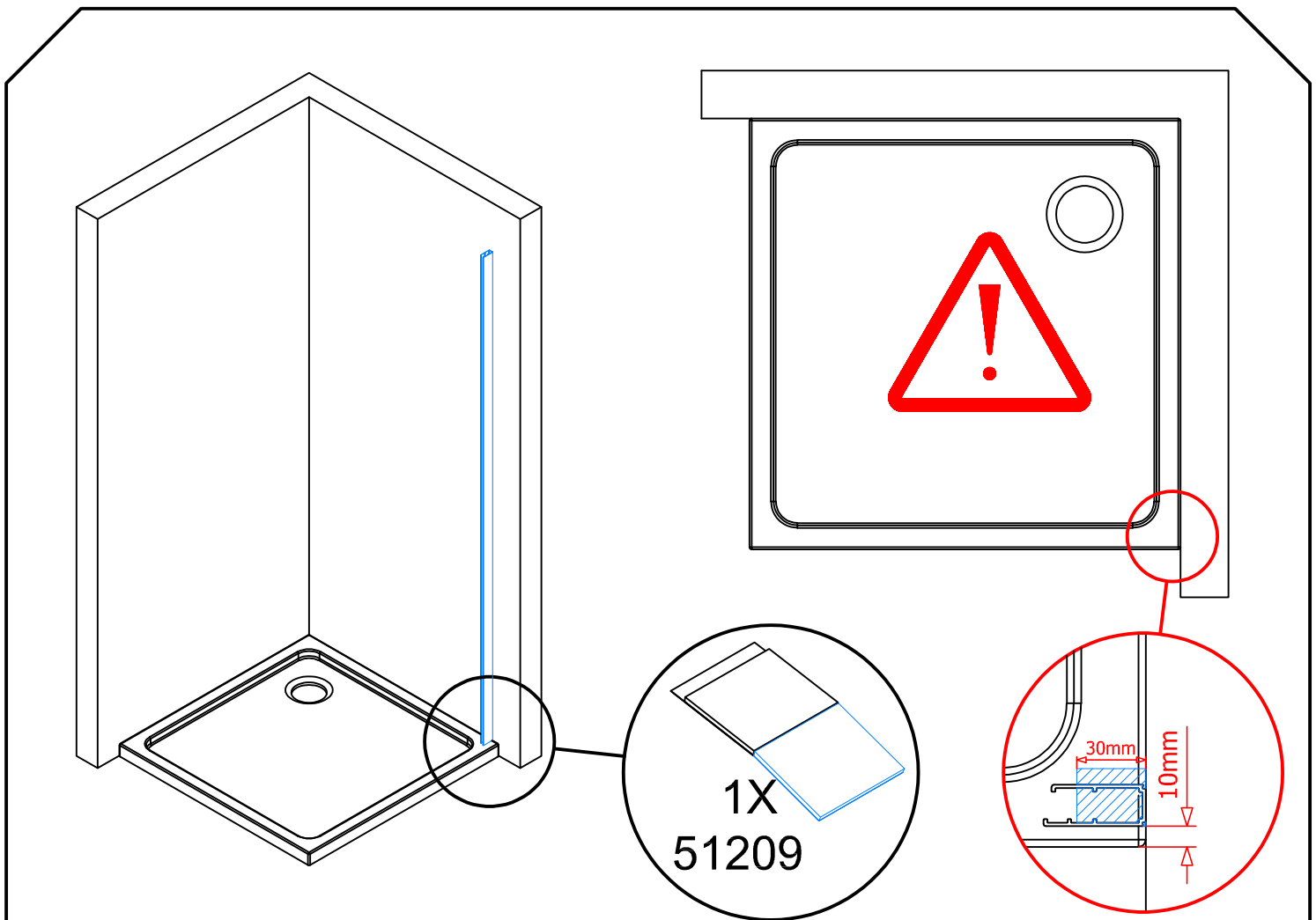


A	
STD	SM
-36 ; -6	-10 ; +20

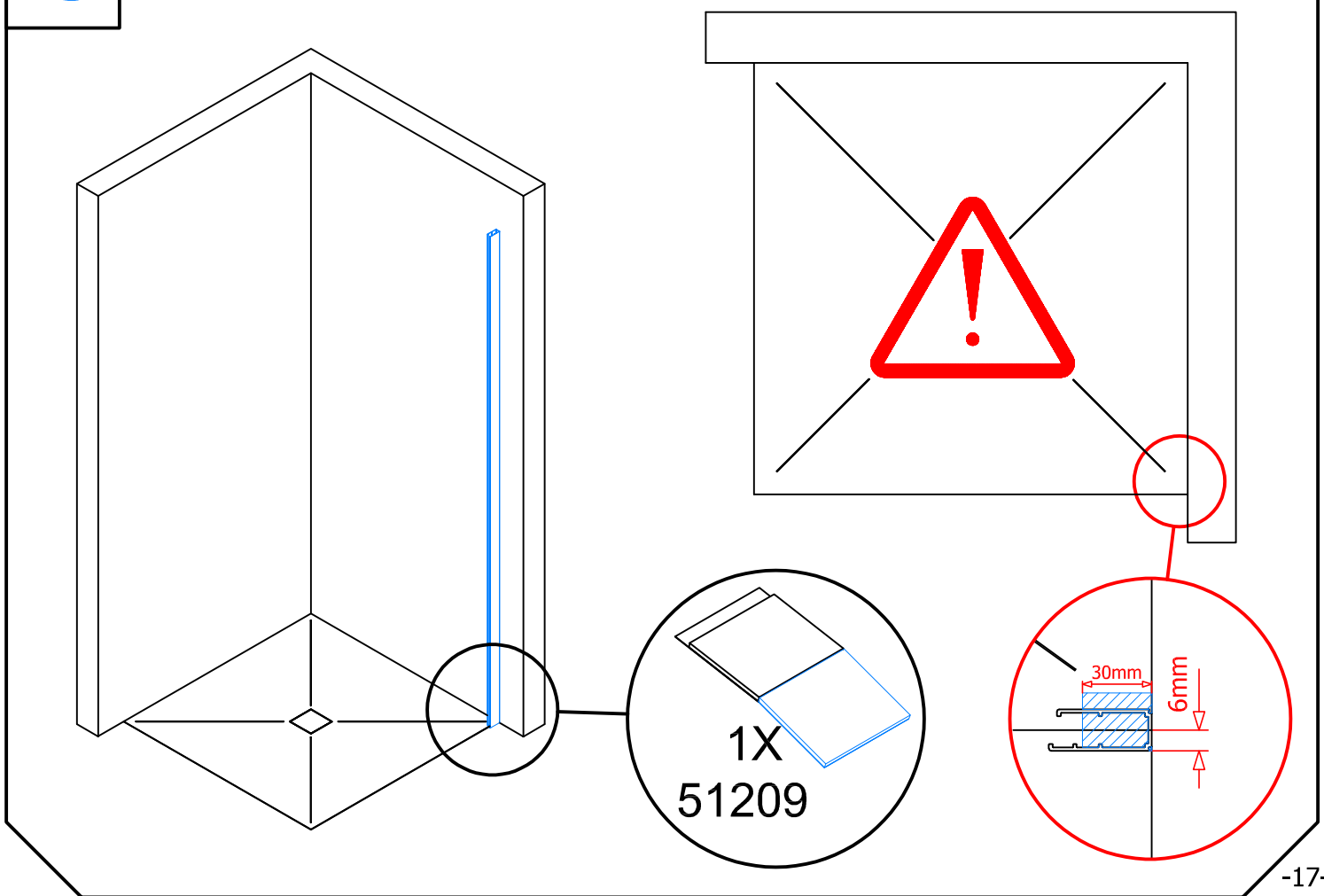
A	
STD	SM
-42 ; -17	-10 ; +15

12.

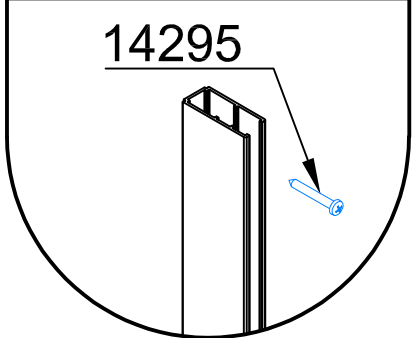
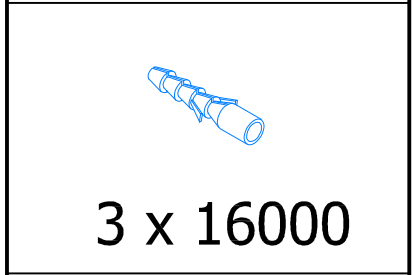
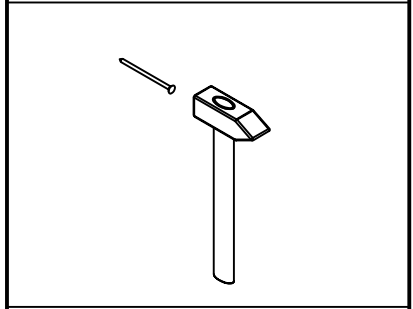
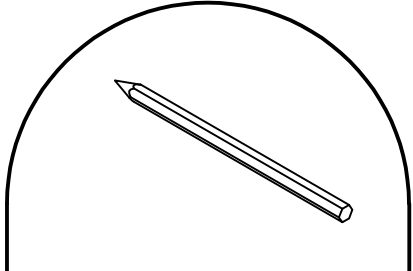
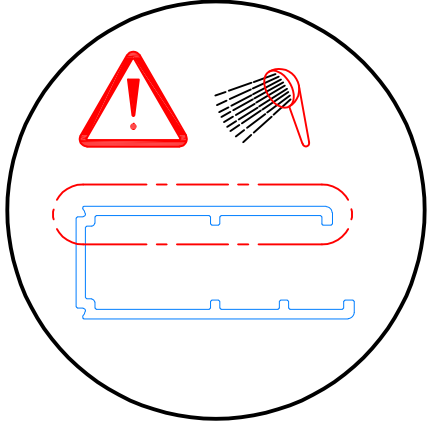
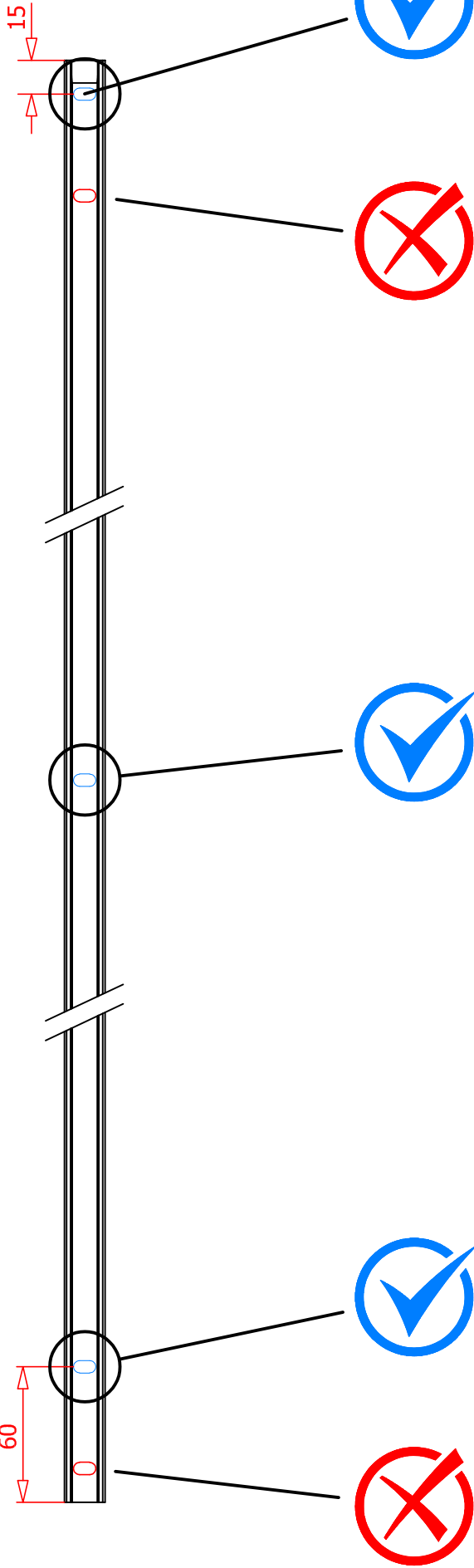


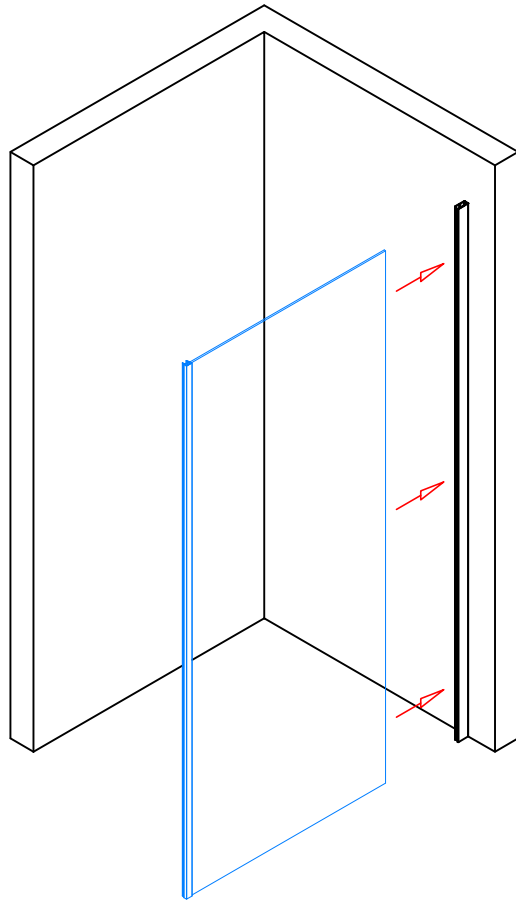


13.

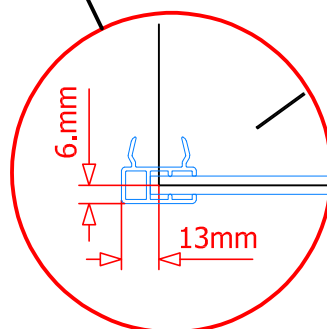
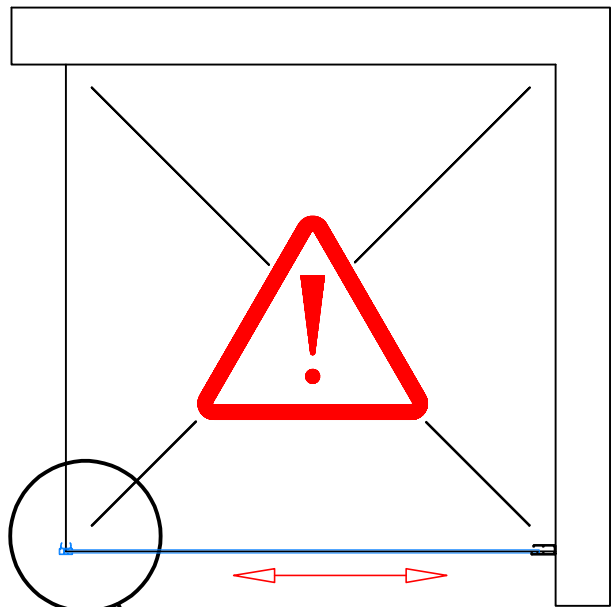
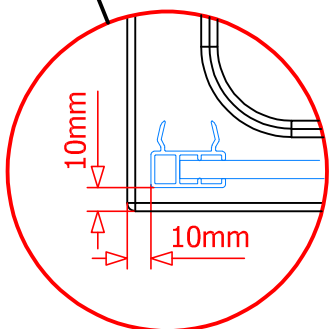
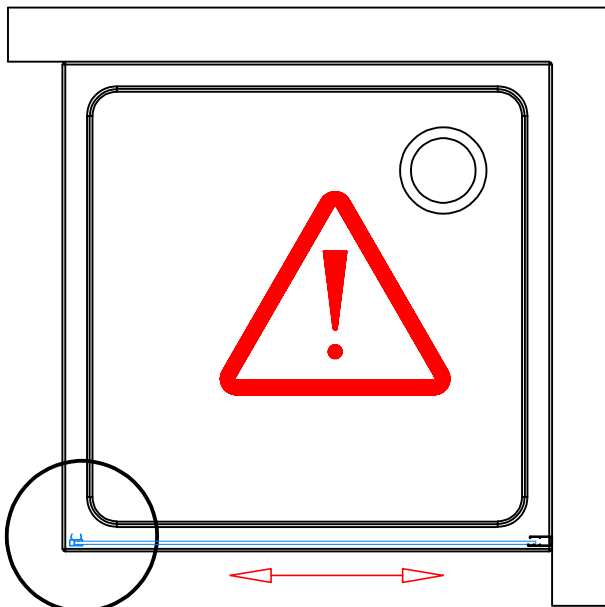


14.

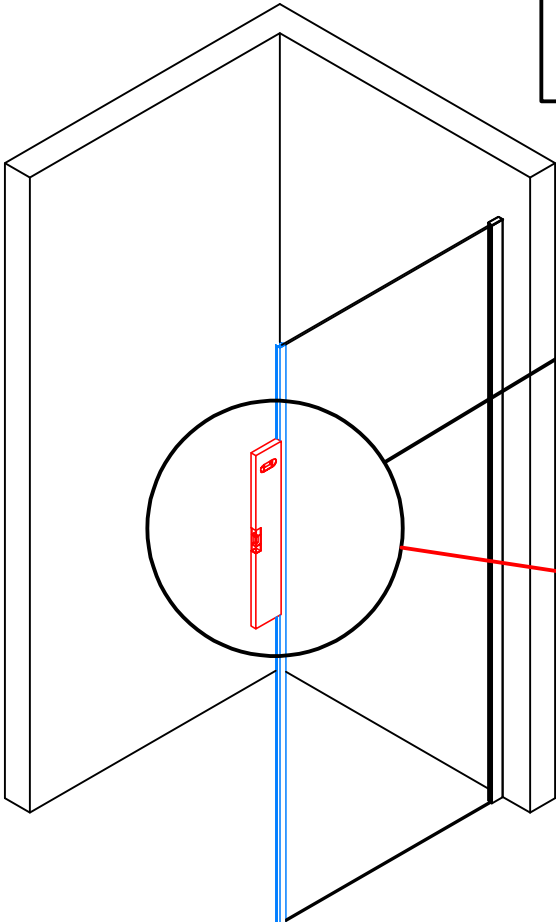
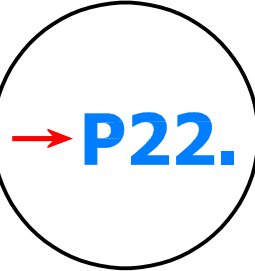
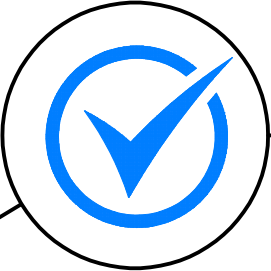




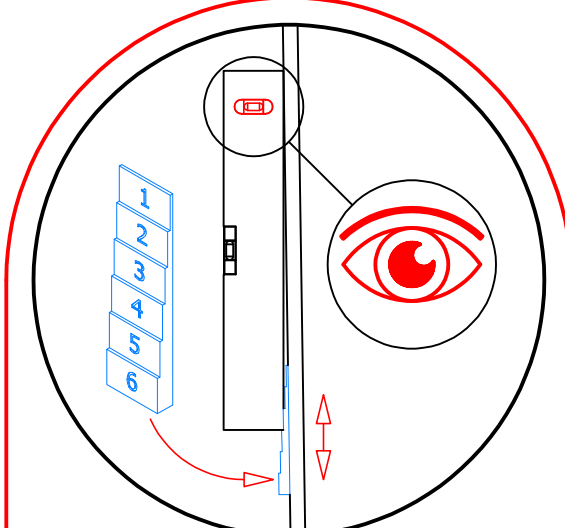
15.



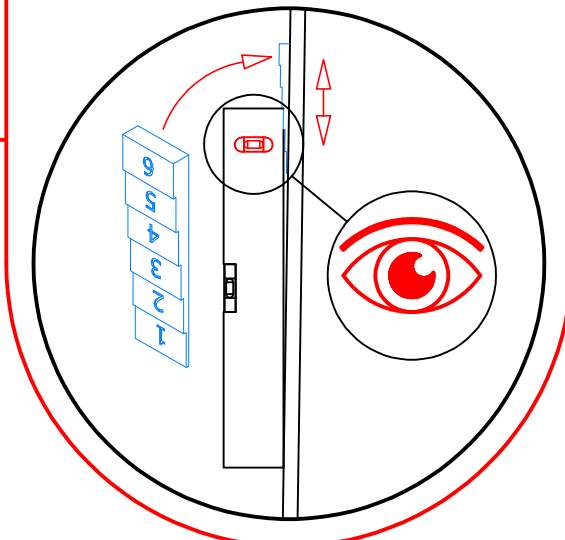
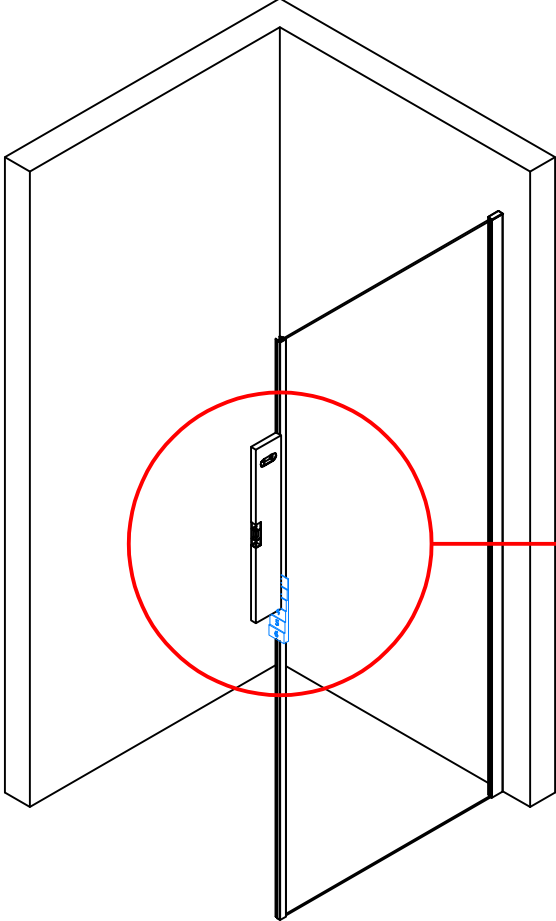
16.



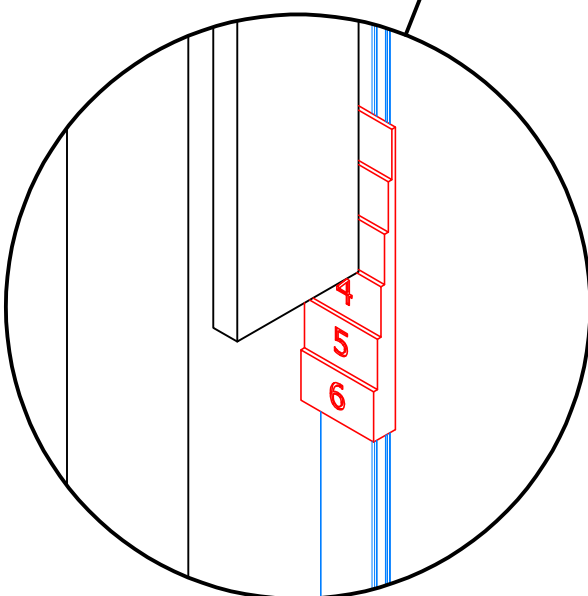
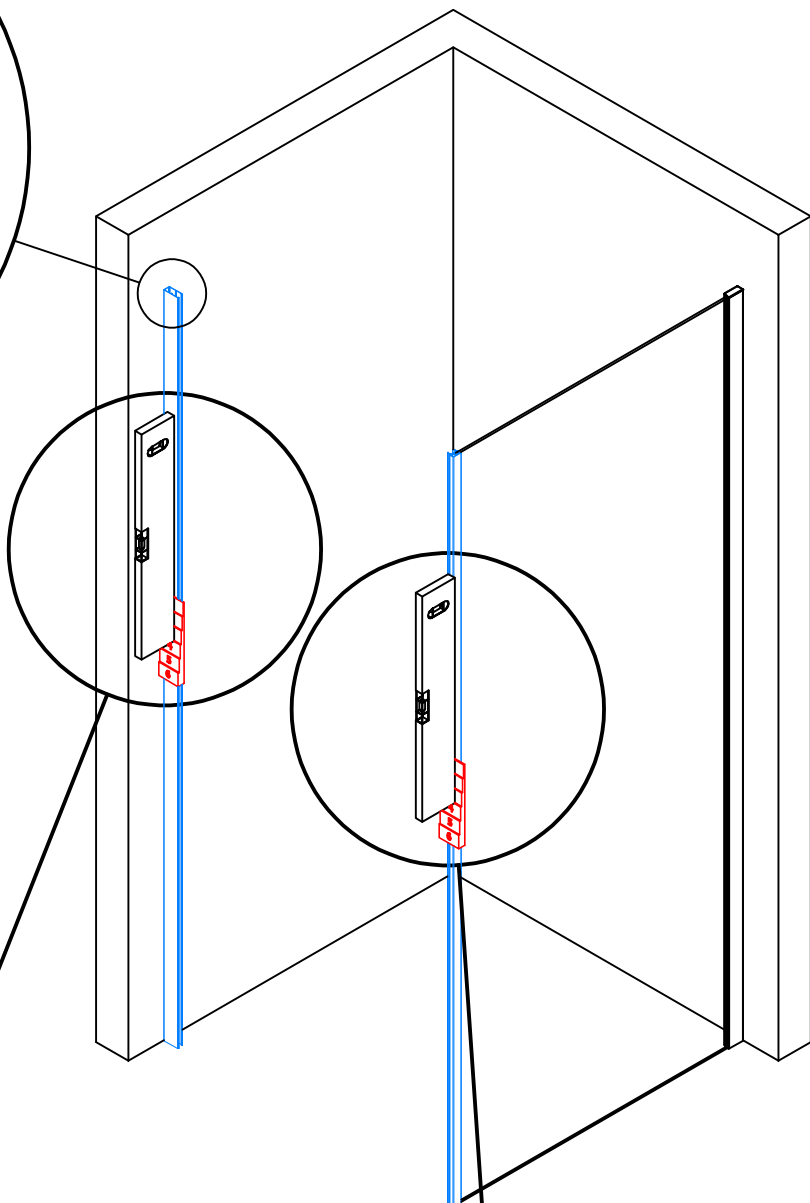
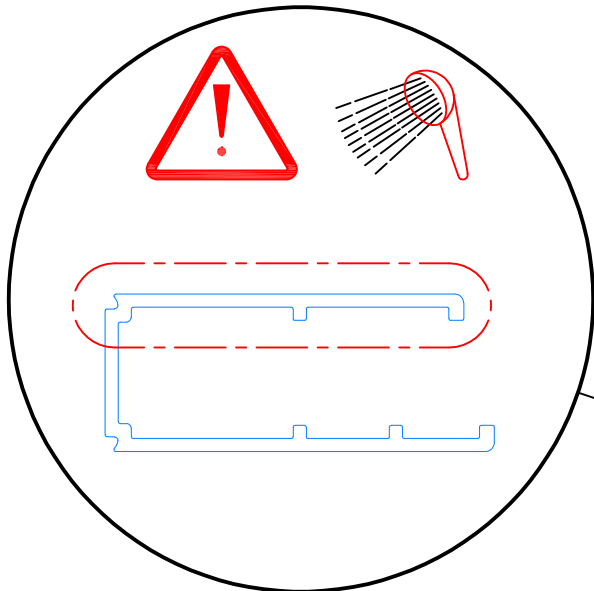
?



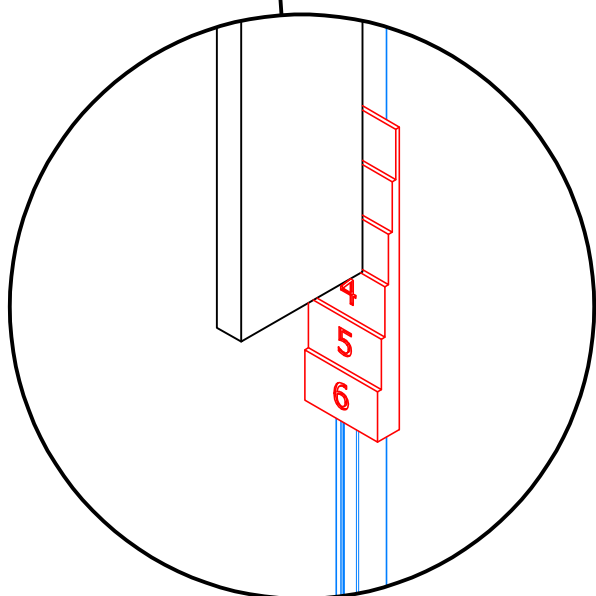
?

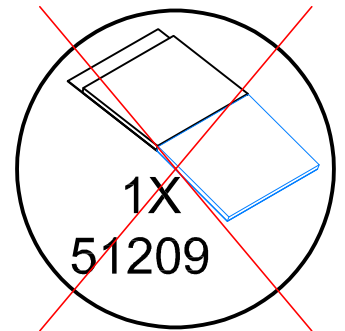
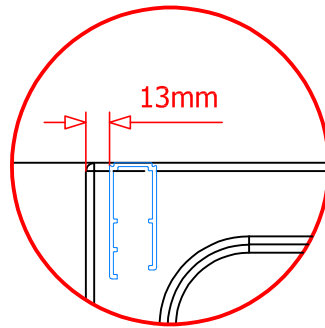
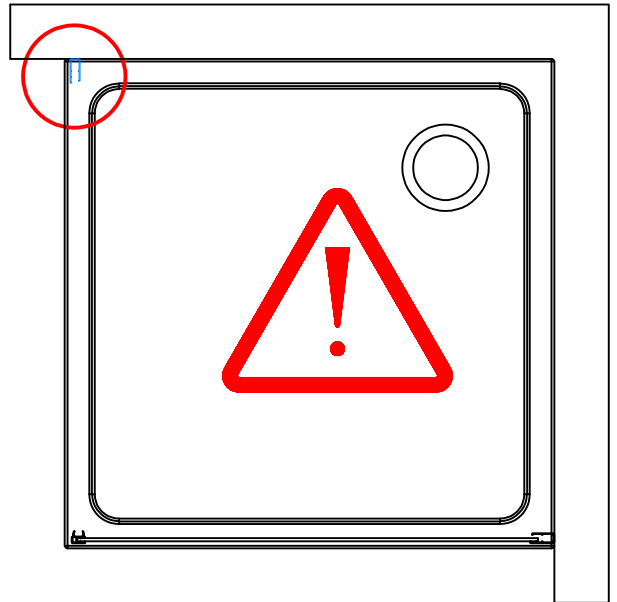
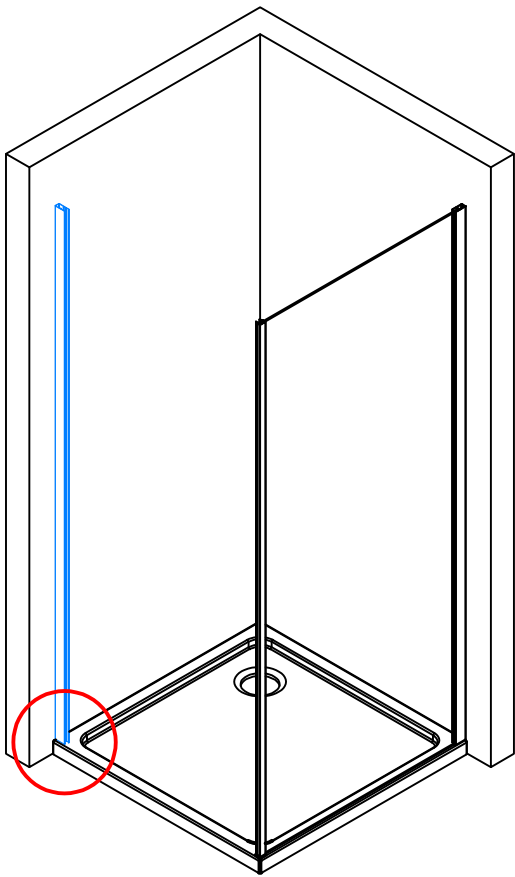


17.

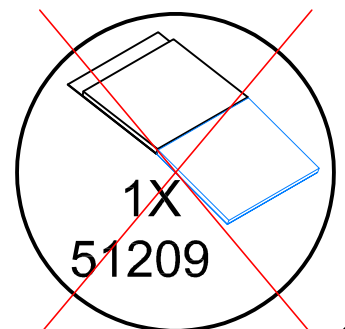
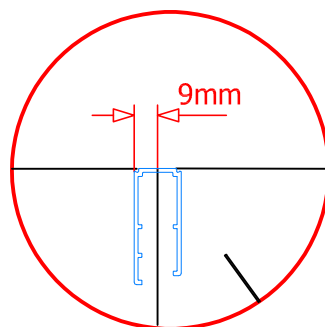
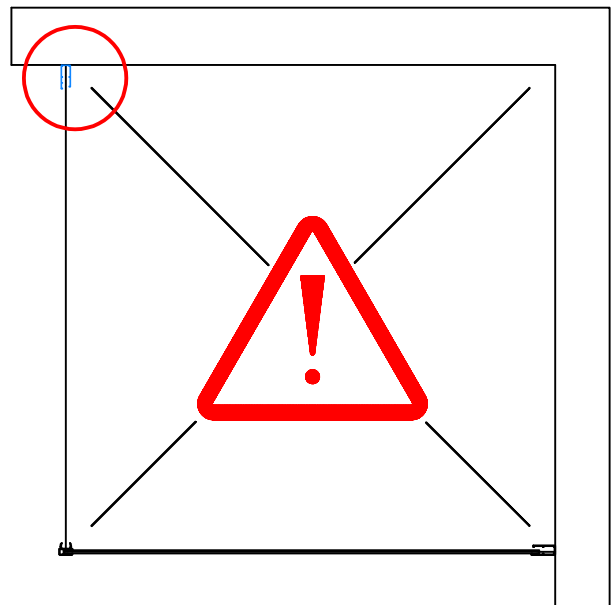
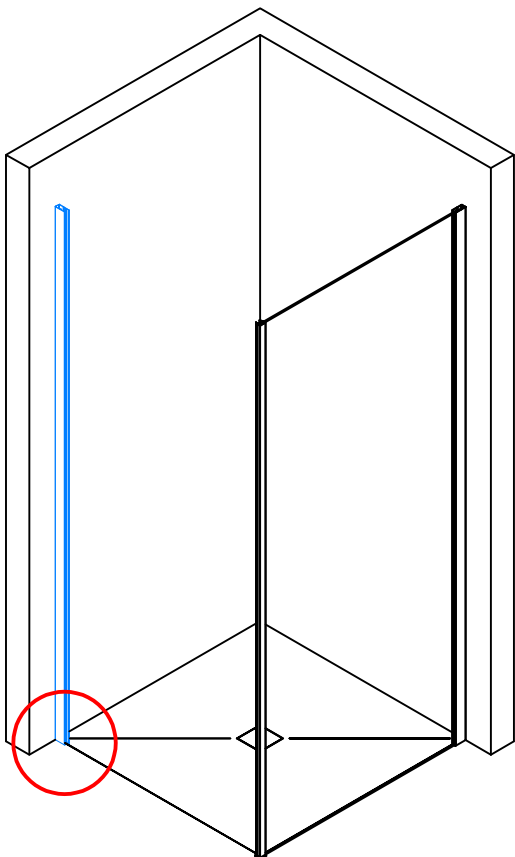


==

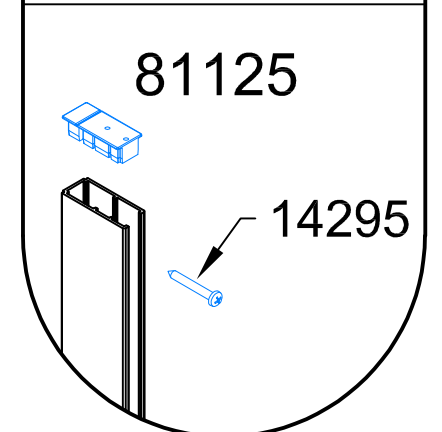
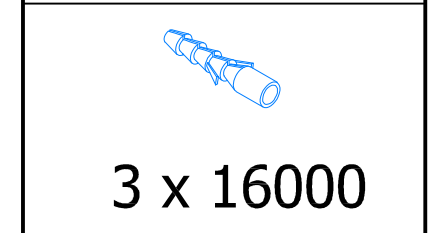
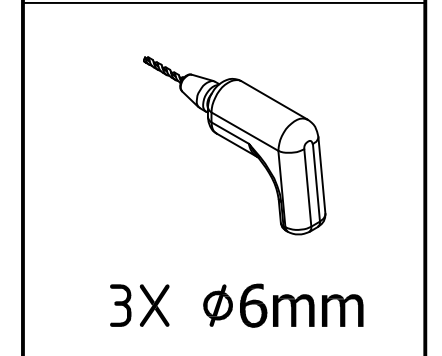
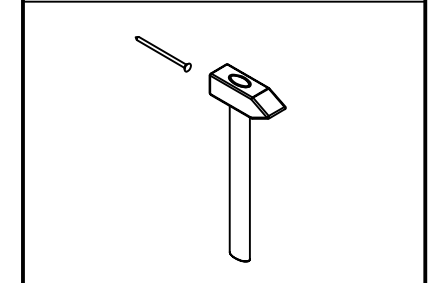
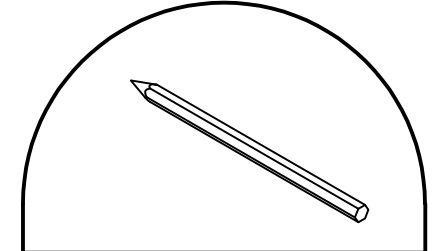
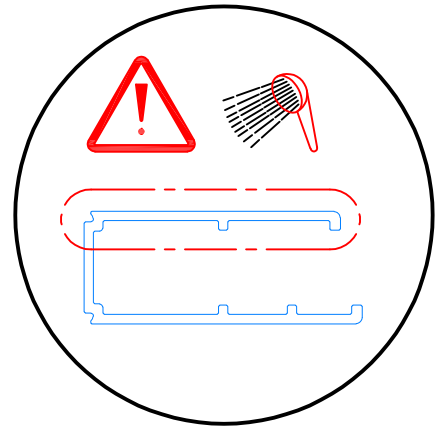
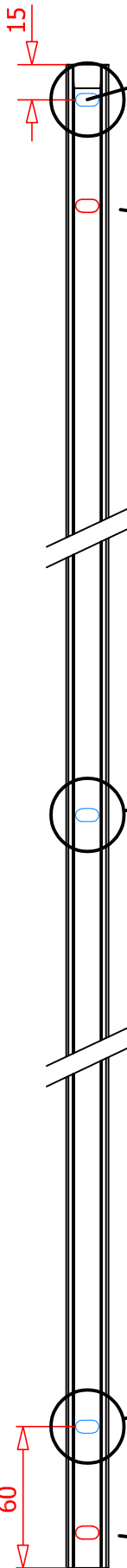
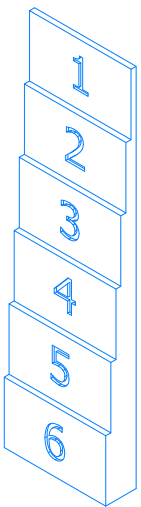
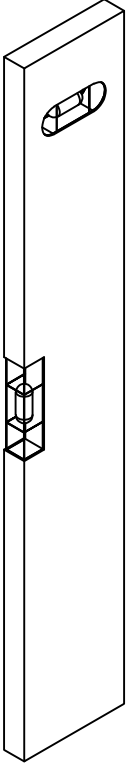




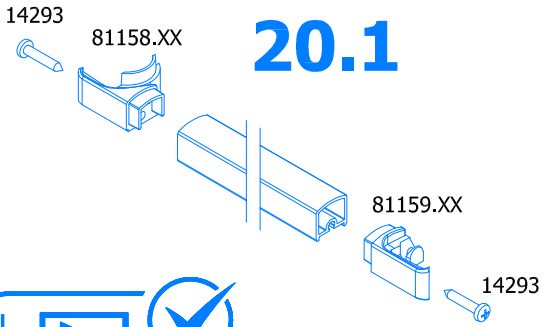
18.



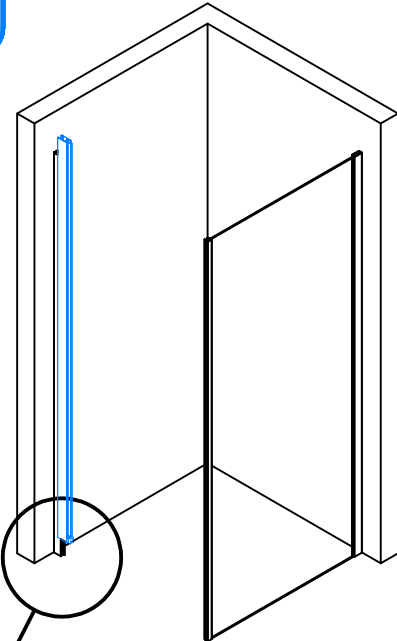
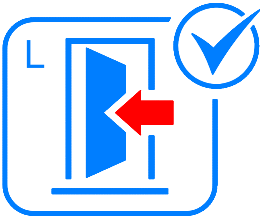
19.



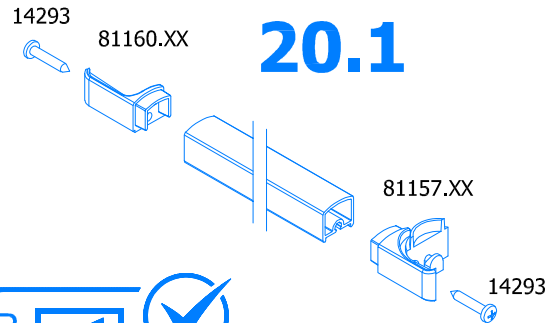
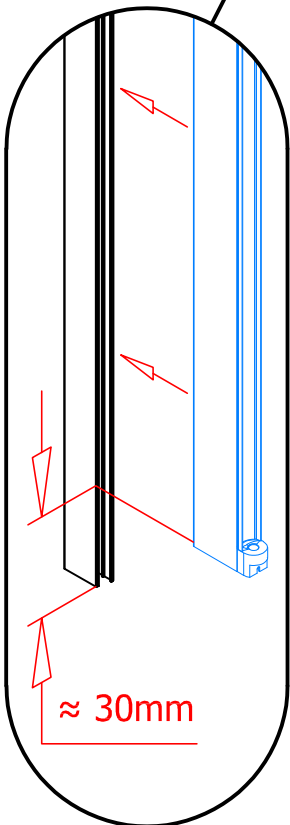
20.1 → 20.2



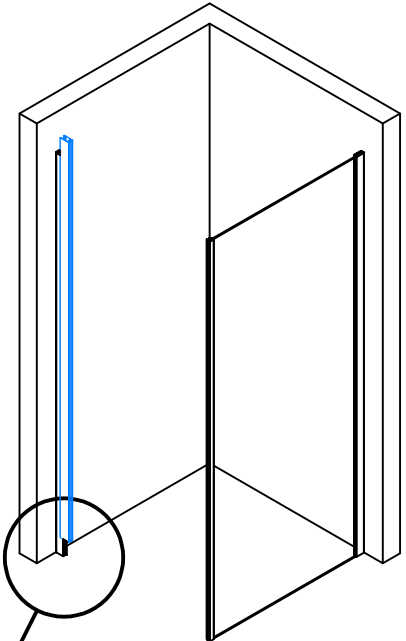
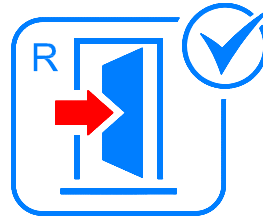
20.1



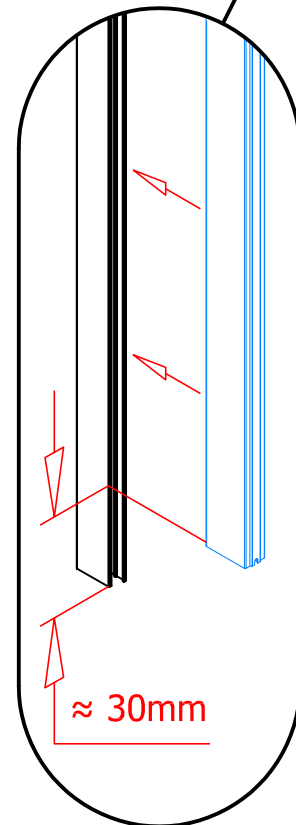
20.2



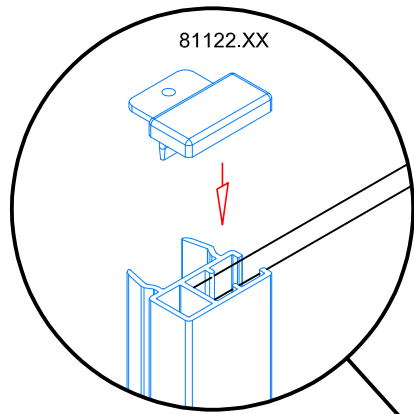
20.1



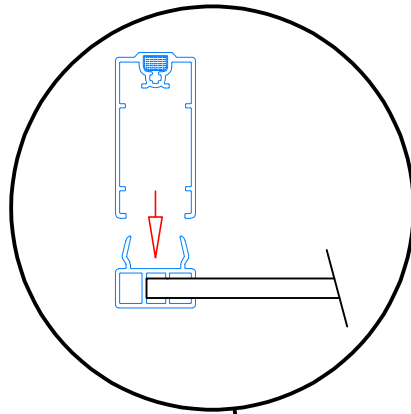
20.2



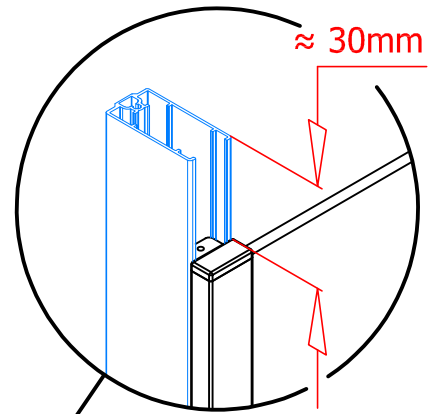
21.1



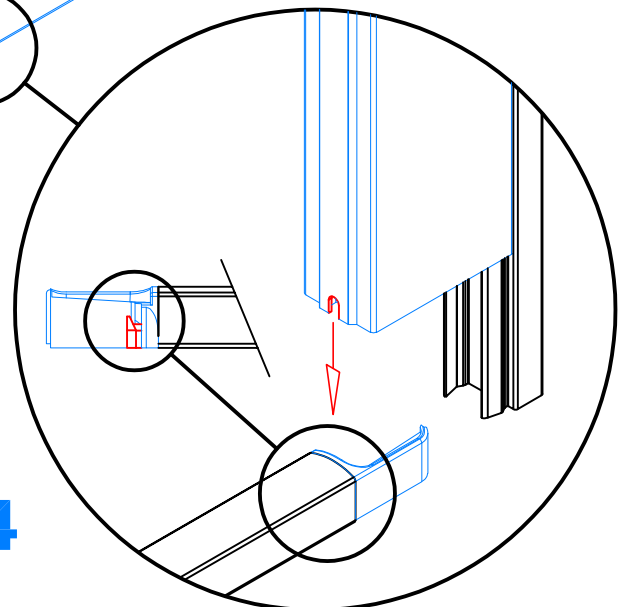
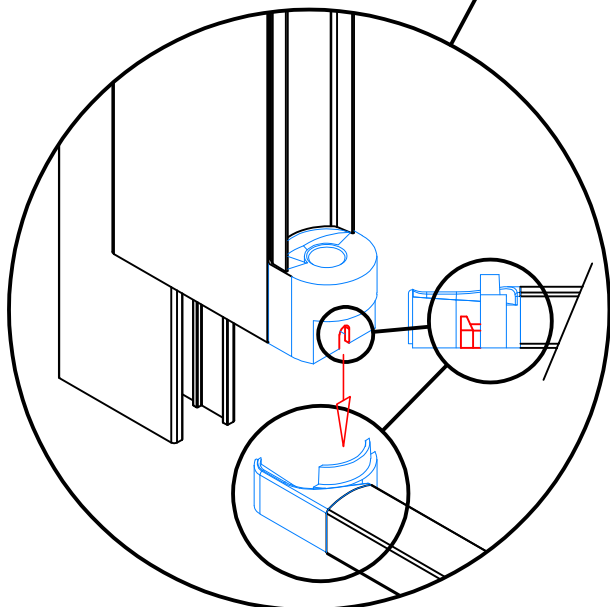
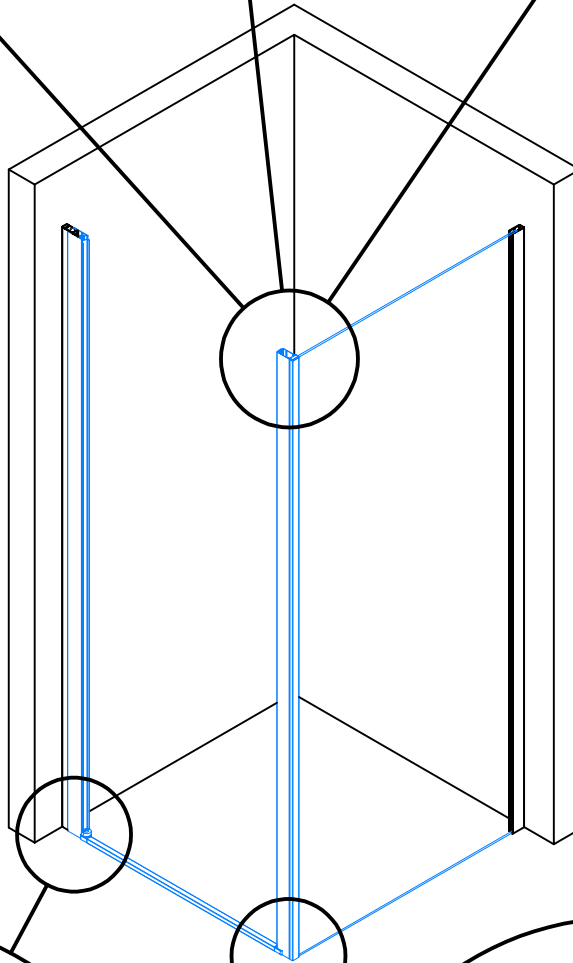
21.2



21.3

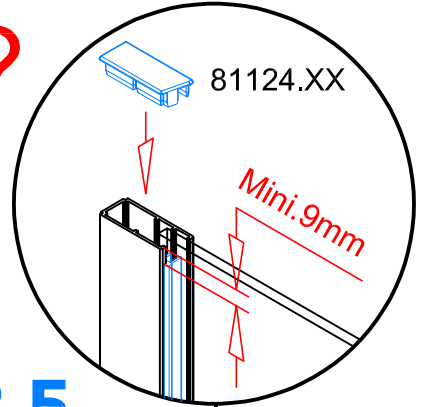
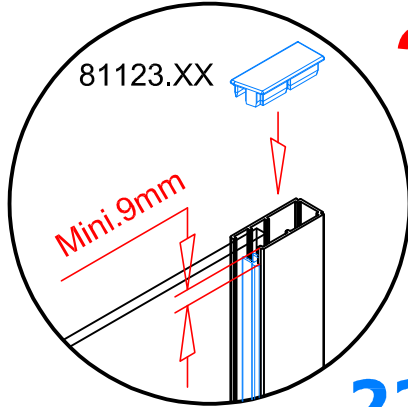
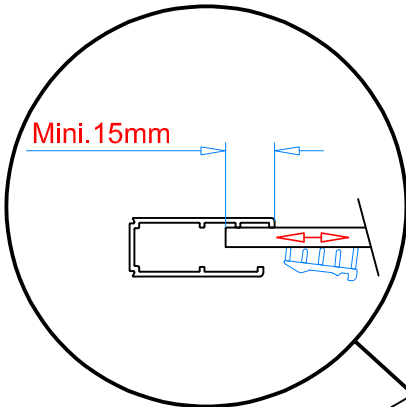
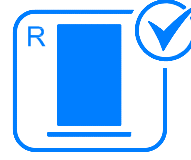
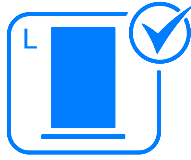


21.1 → **21.4**



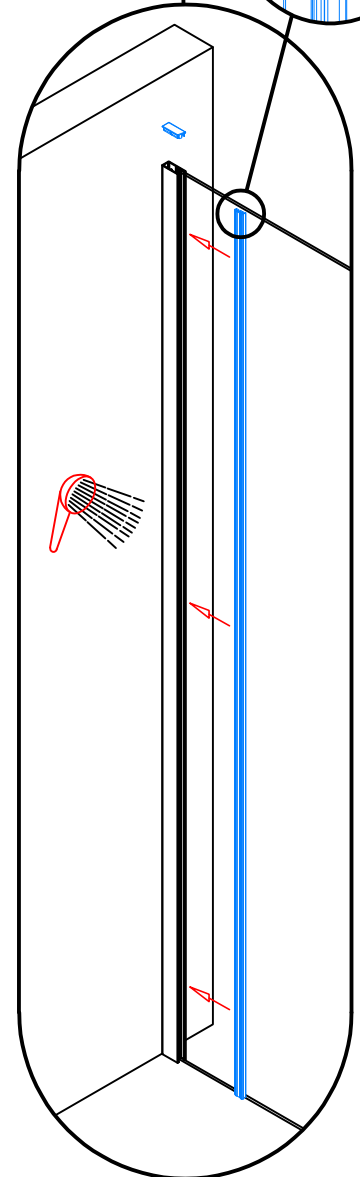
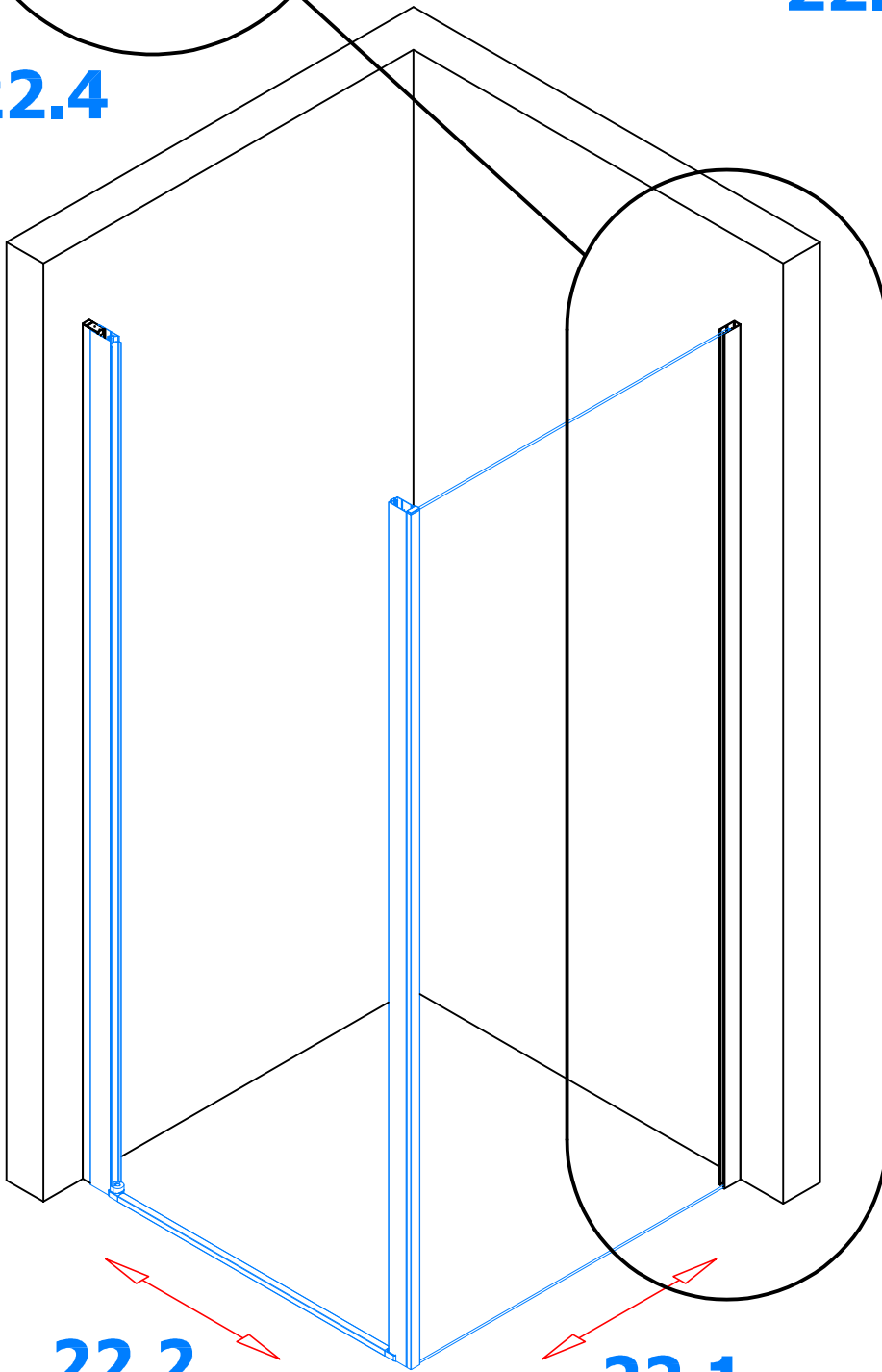
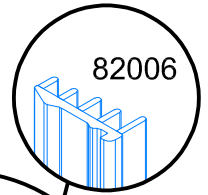
21.4

22.1 → 22.5



22.5

22.4

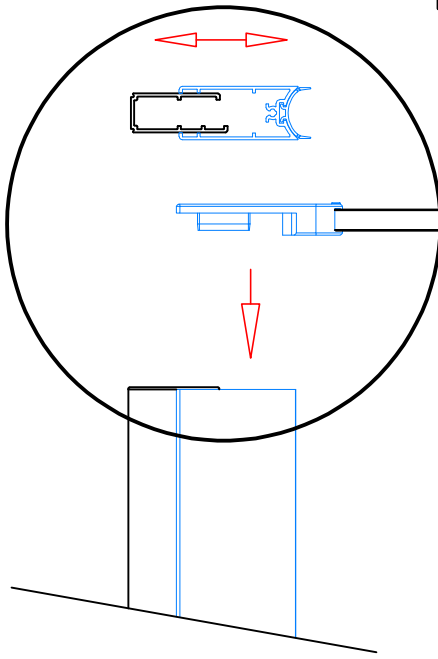


22.2

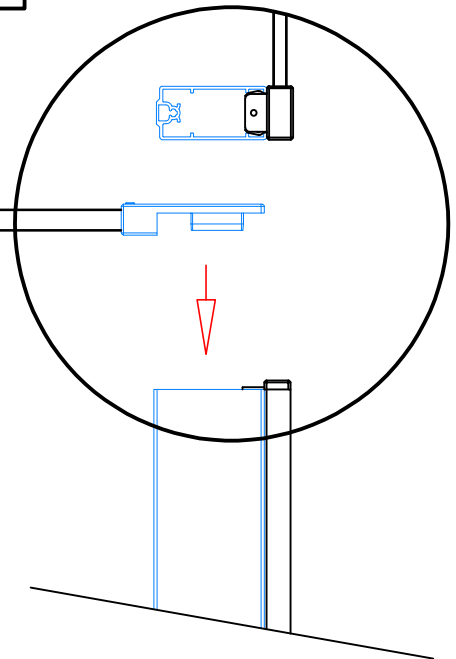
22.1

22.3

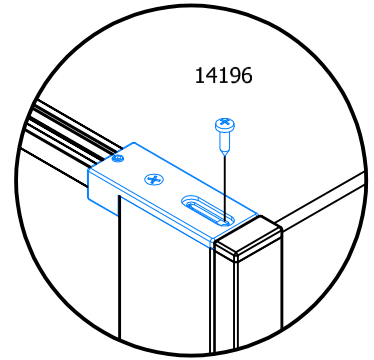
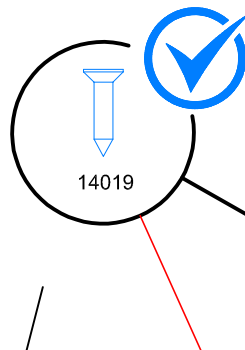
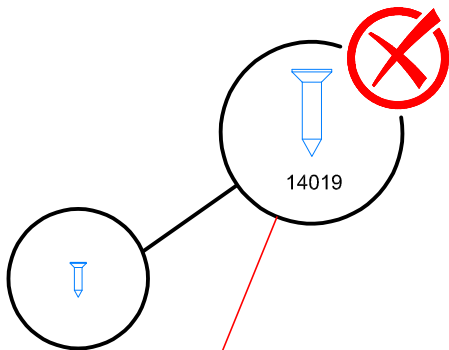
23.1 → 23.3



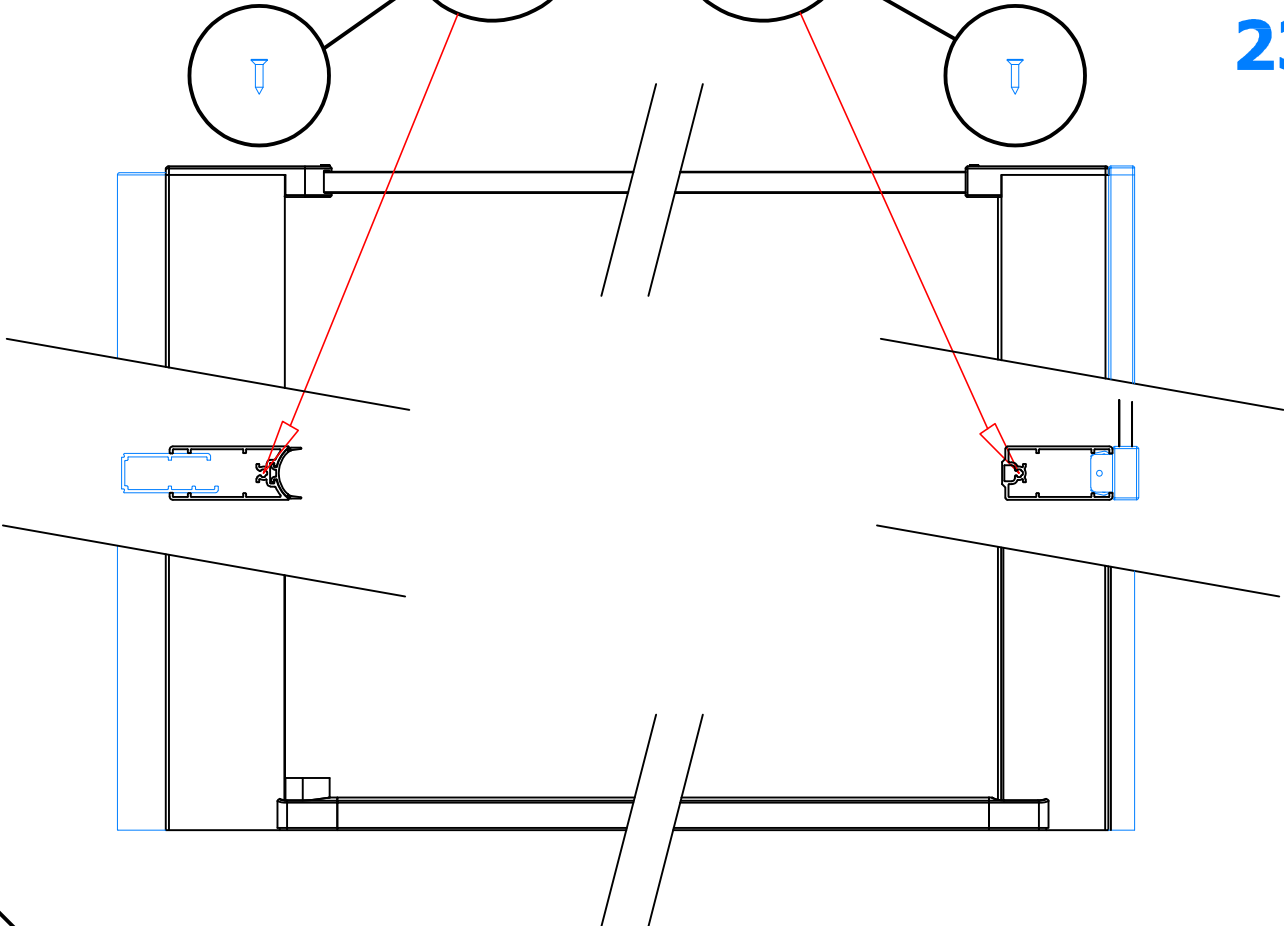
23.1



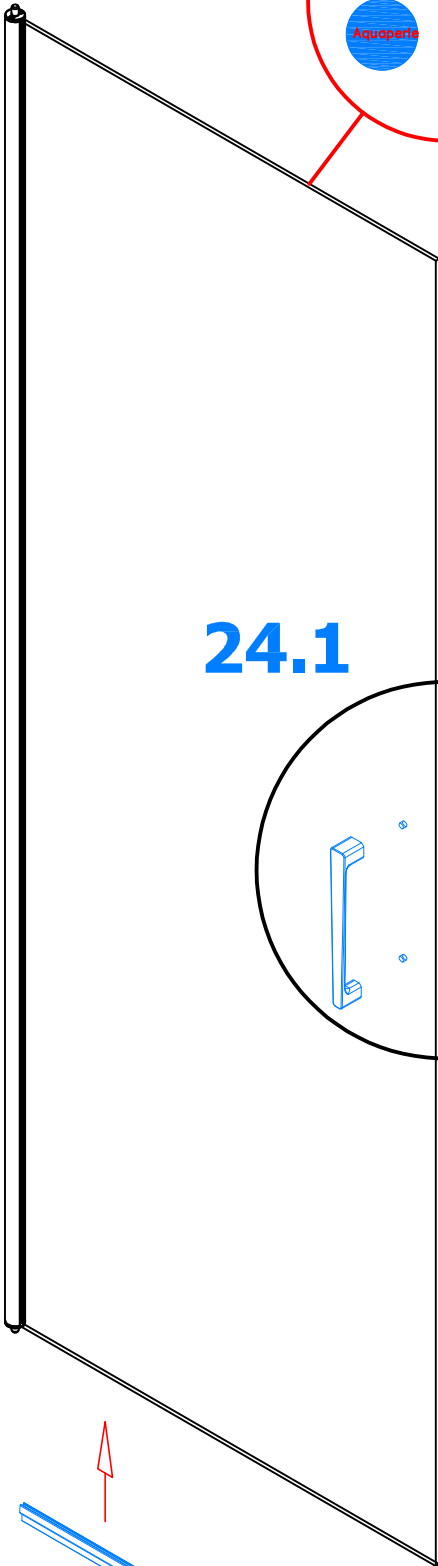
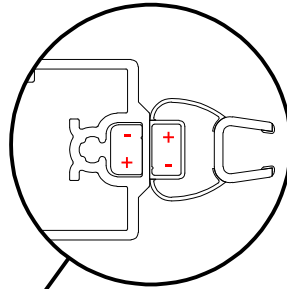
23.2



23.3

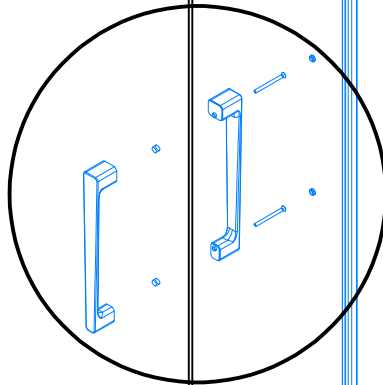


24.1 → 24.4

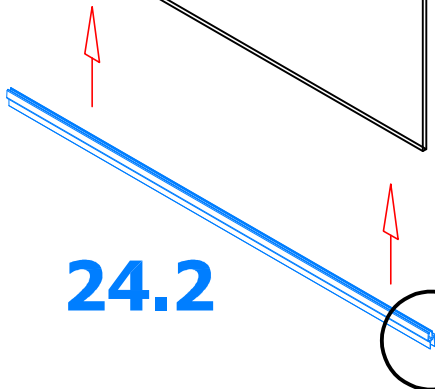
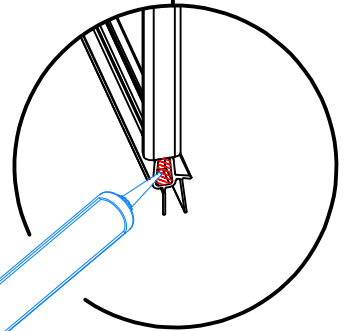


24.1

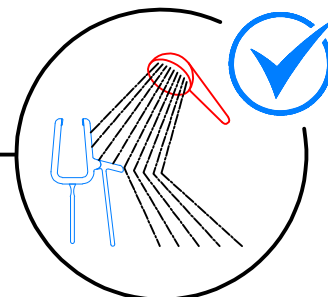
24.3



24.4



24.2



25.1 → 25.4

25.4

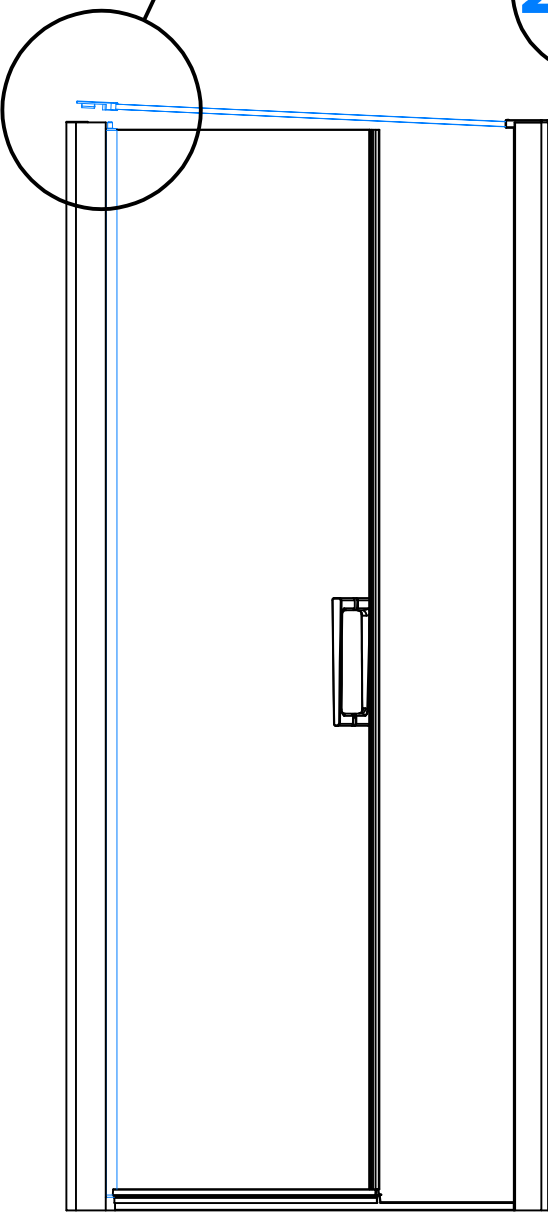
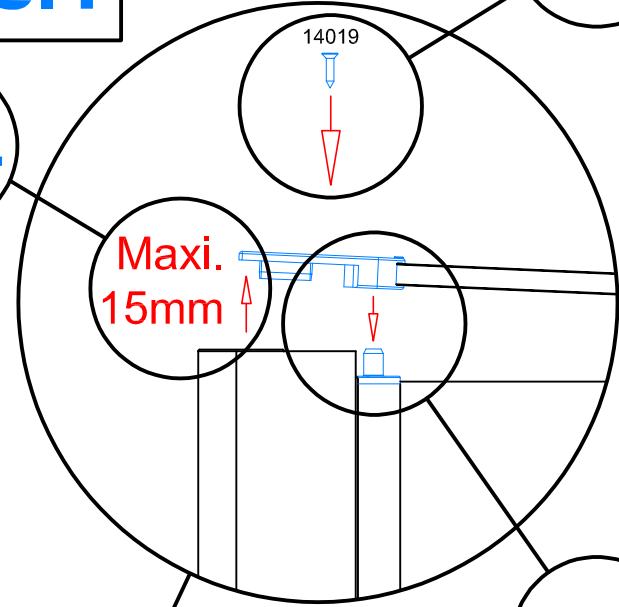
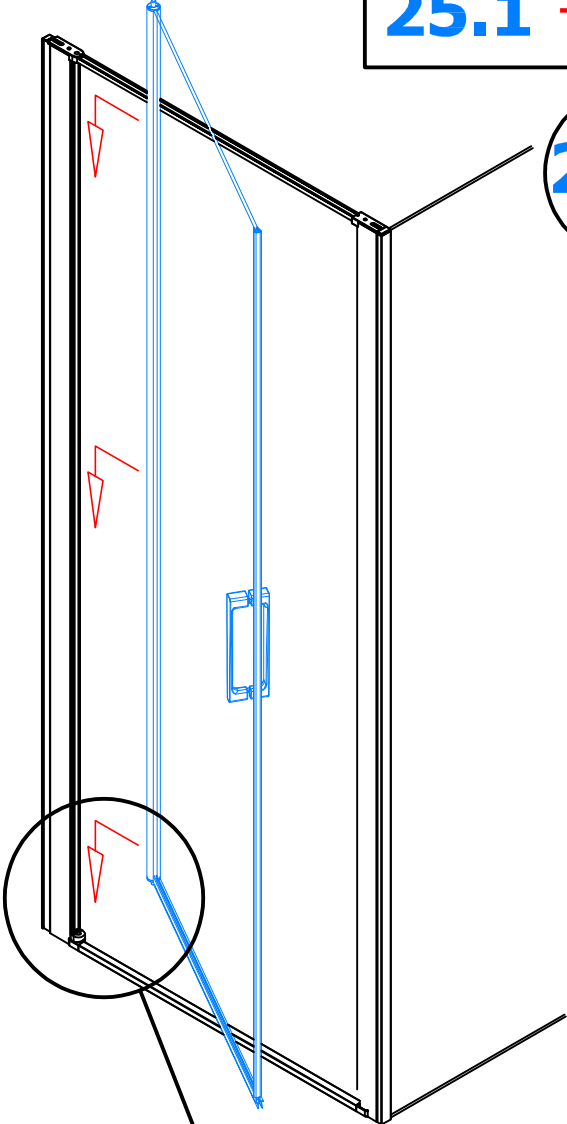
25.2

**Maxi.
15mm**

14019

25.3

25.1



26.1 → 26.4

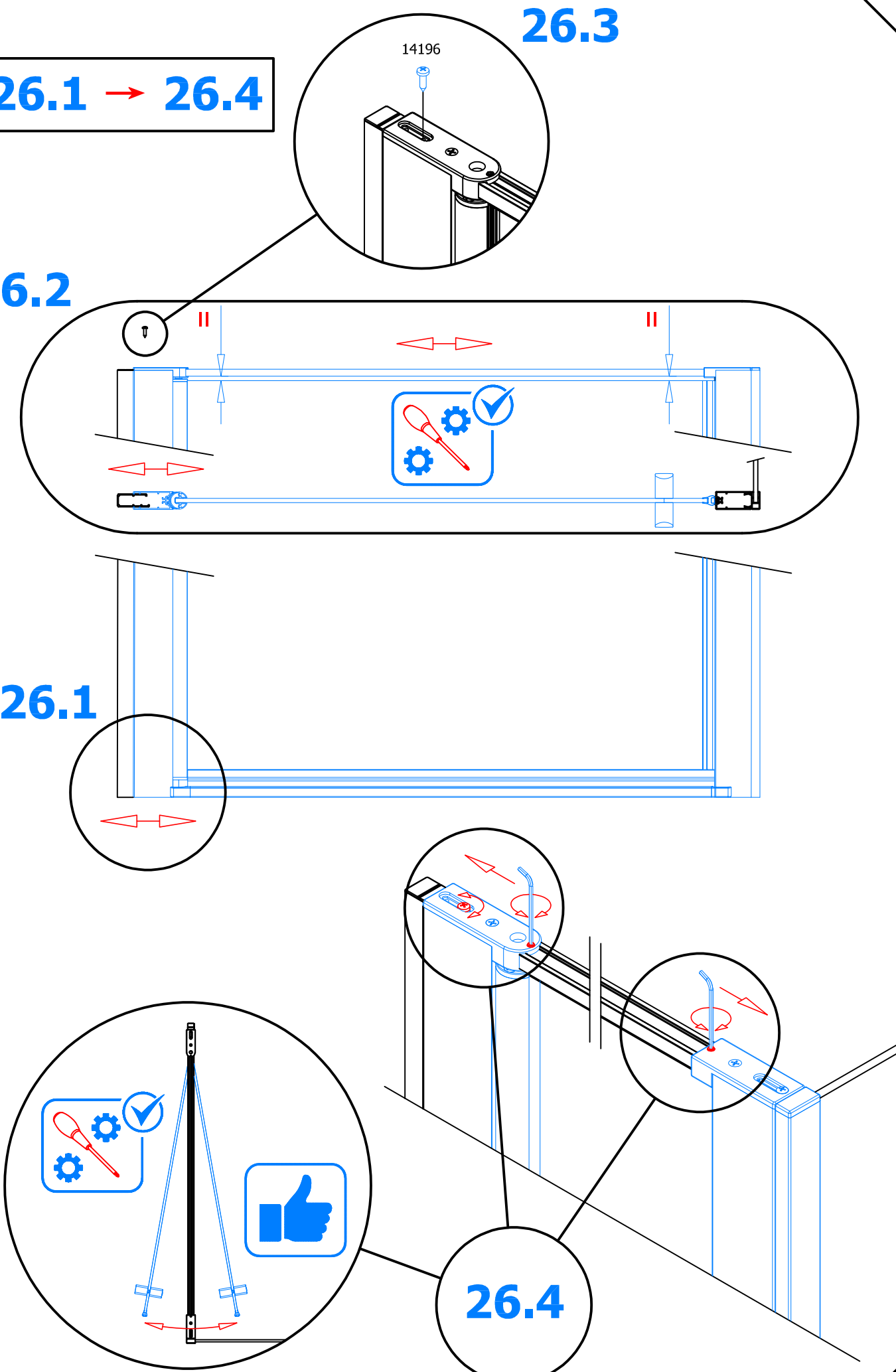
26.3

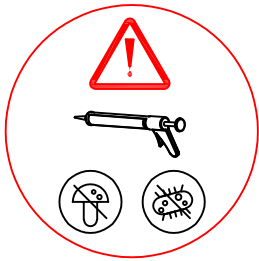
14196

26.2

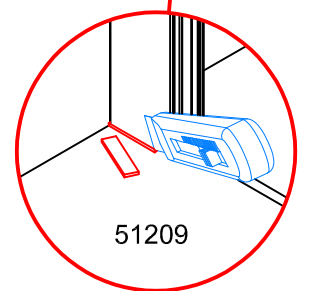
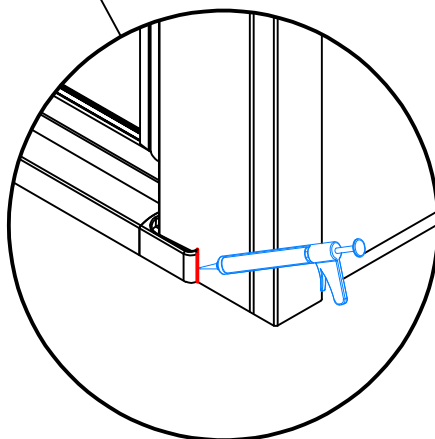
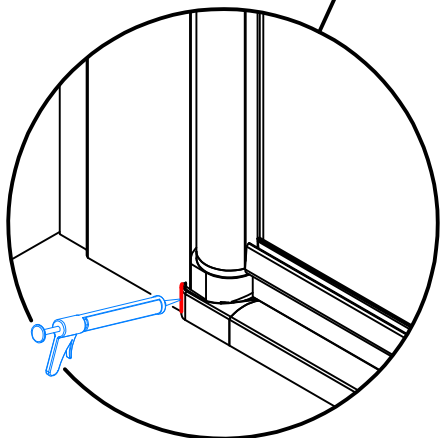
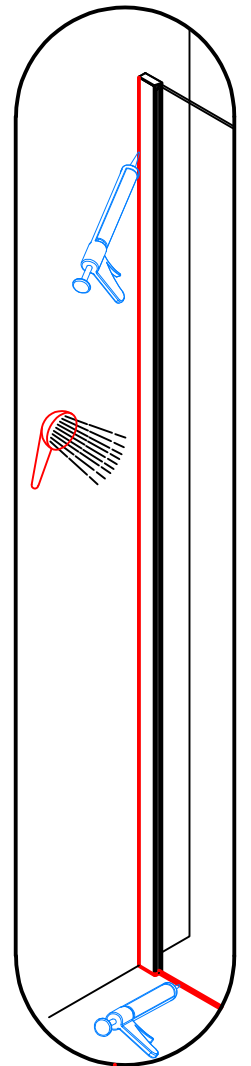
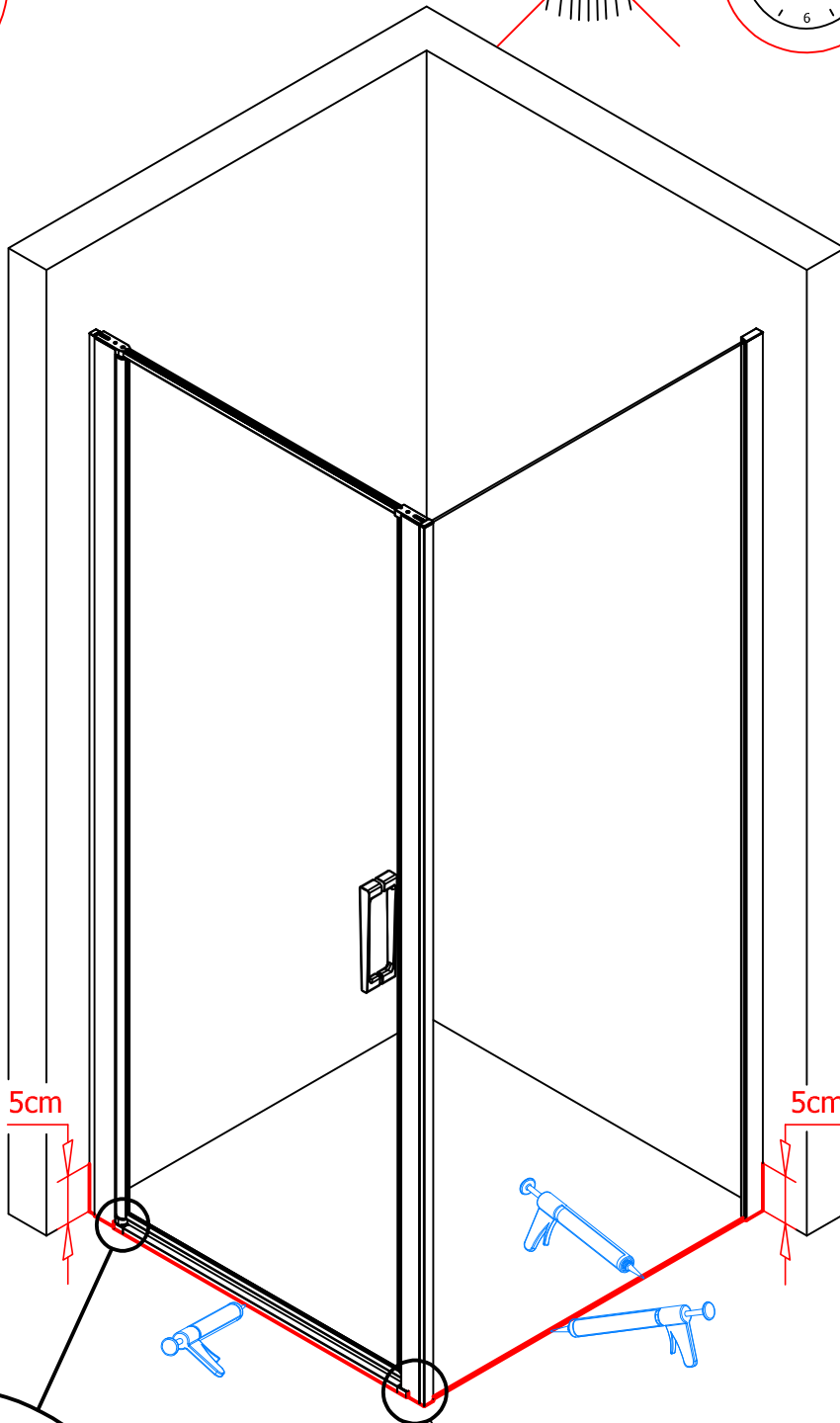
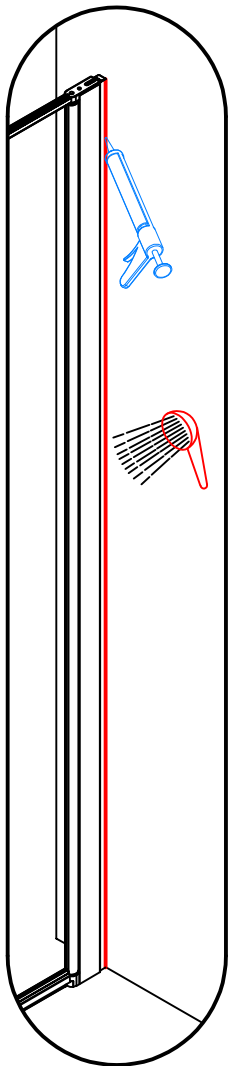
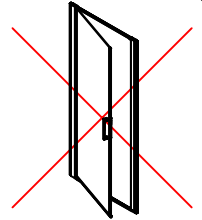
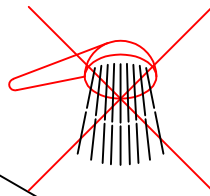
26.1

26.4

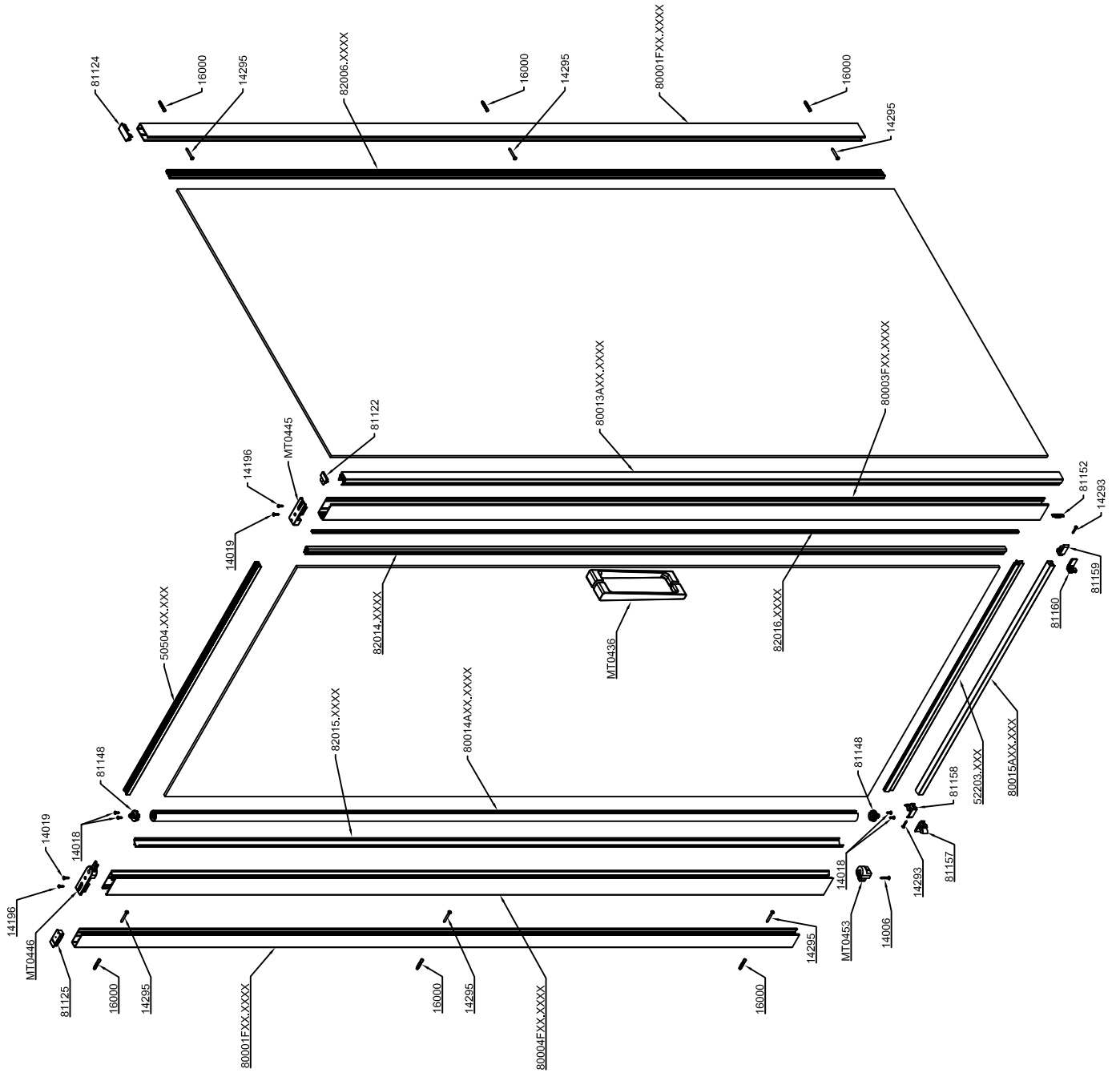




27.



D22T1 D22F1



D22T1 D22F1

