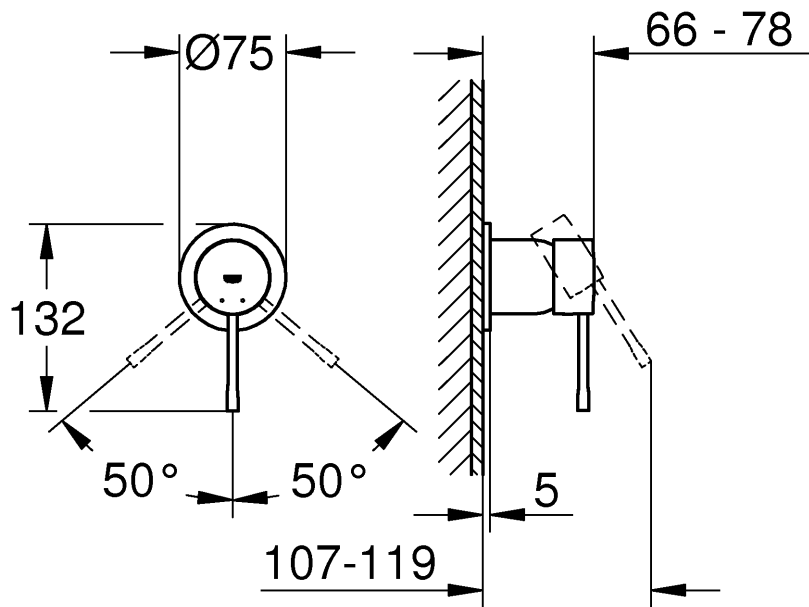
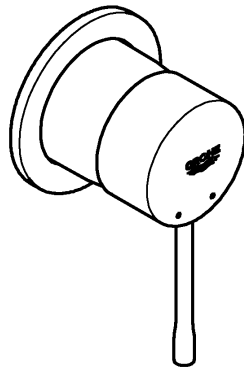


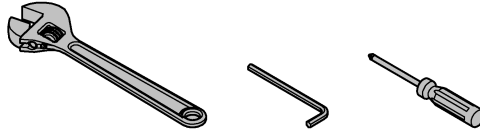
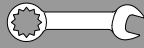
DESIGN + ENGINEERING
GROHE GERMANY

99.1249.031/ÄM 252017/02.22

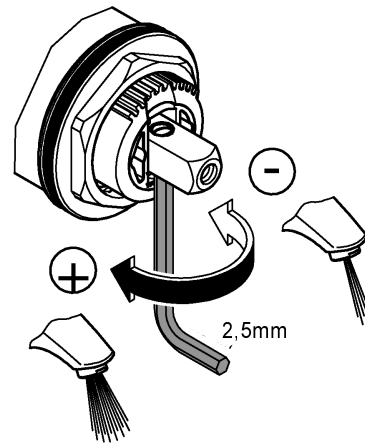
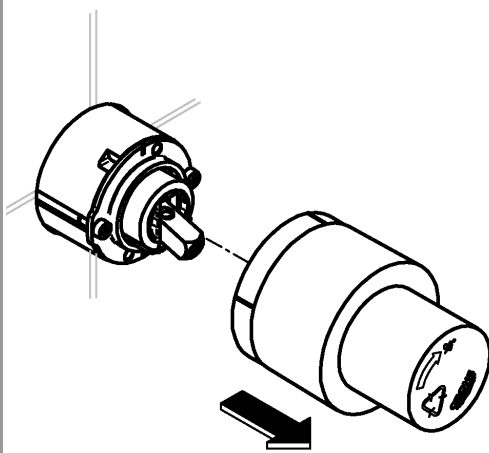
www.grohe.com

Pure Freude
an Wasser

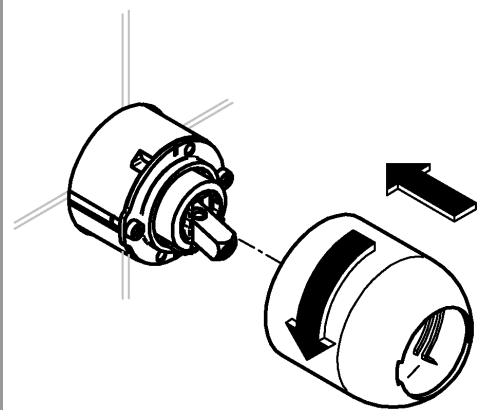




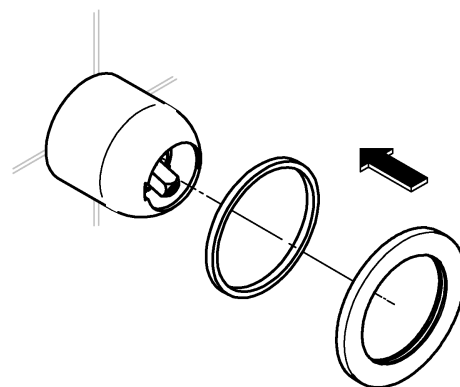
1

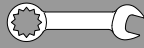


2

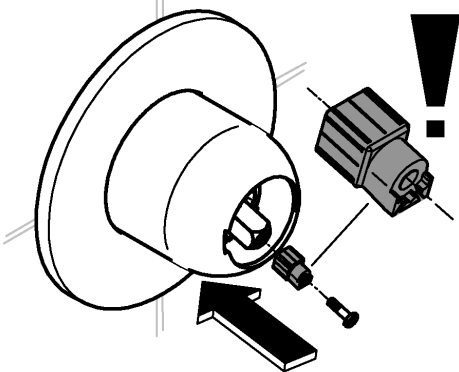


3

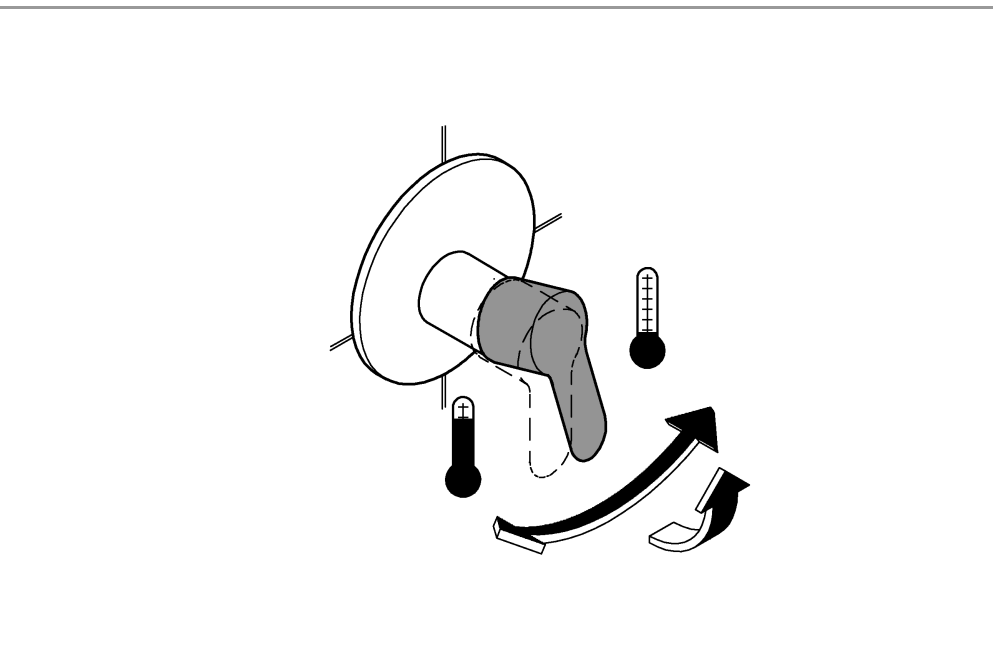
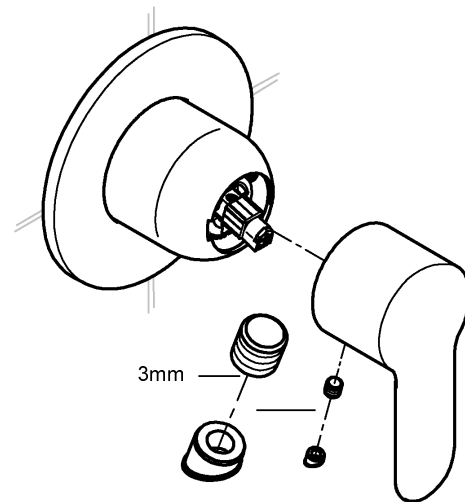





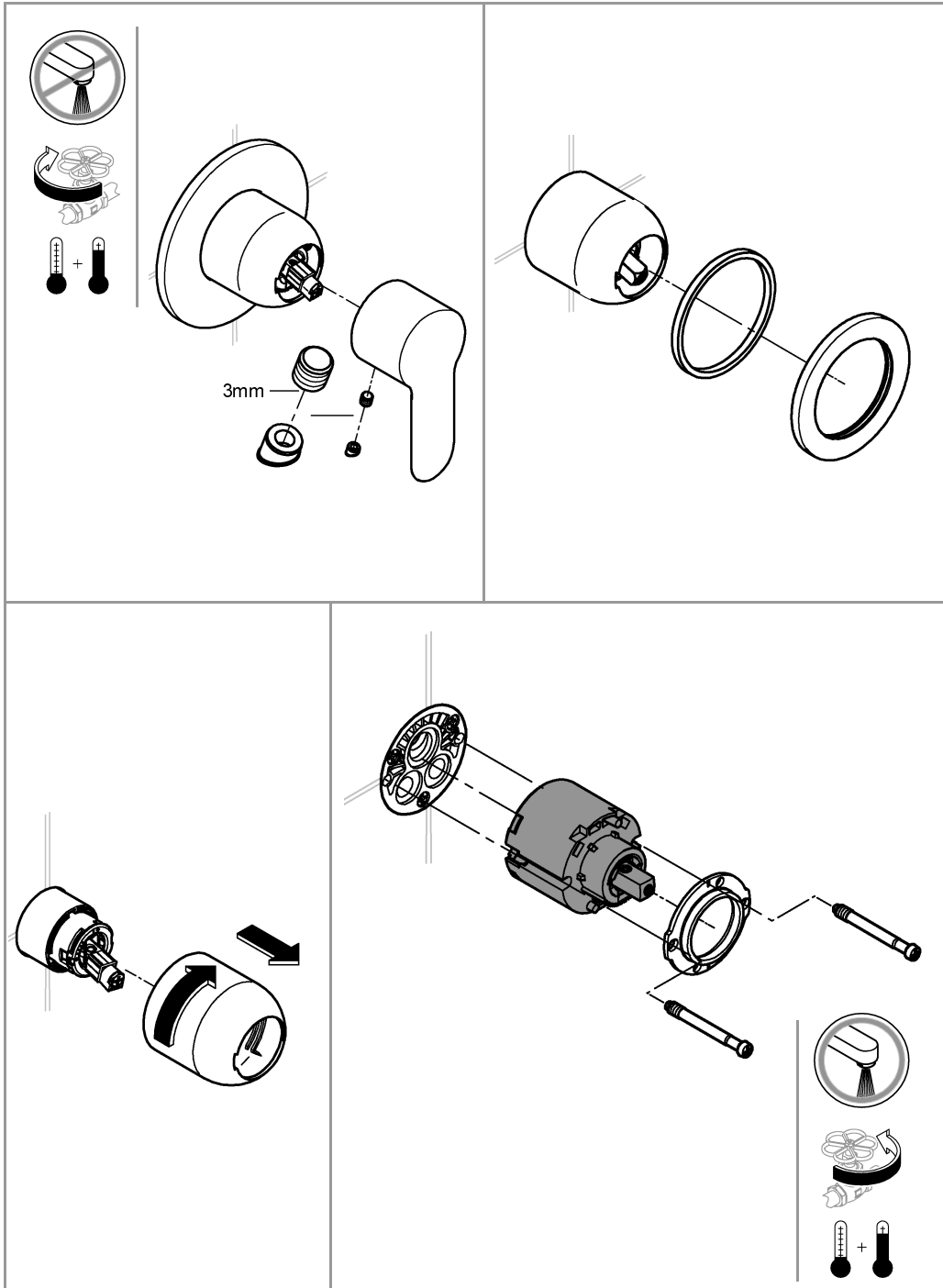
4

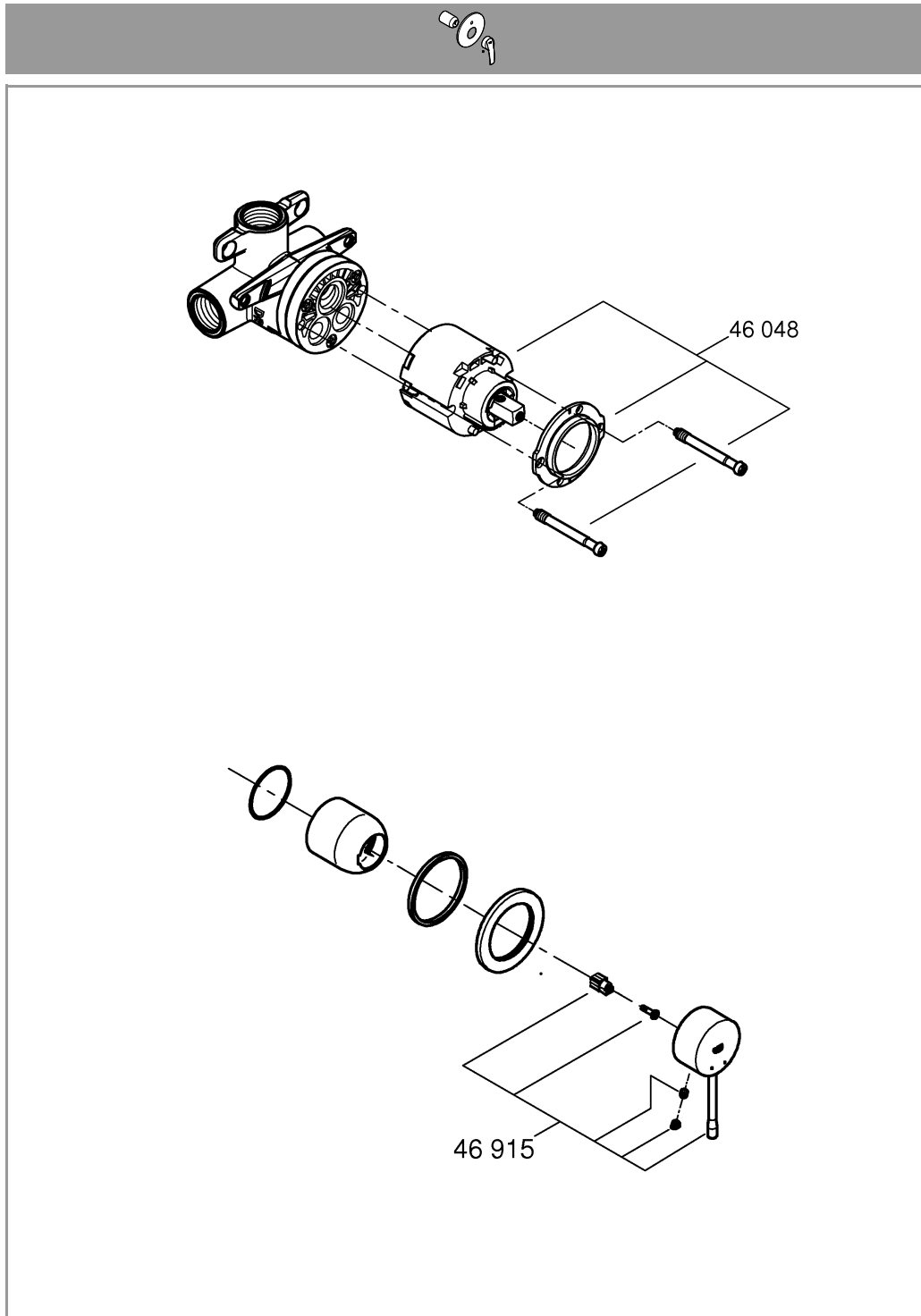


5



MAINTENANCE 





Application

for shower

Can be used in conjunction with:

- Pressurised storage heaters
- Thermally controlled instantaneous heaters
- Hydraulically controlled instantaneous heaters

Operation with unpressurised storage heaters (open water heaters) is **not possible**.


Specifications:

- Flow pressure min. 50 kPa - recommended 100 - 500 kPa
- Operating pressure max. 500 kPa
- Test pressure 1600 kPa

If static pressure is greater than 500 kPa, fit pressure reducer. Avoid major pressure differences between hot and cold water supply.

- Temperature
Hot water inlet: (maximum) 70 °C
Recommended: (energy saving) 60 °C
- Thermal disinfection possible
- An approved safety device is prescribed according to EN 1717 for combining with bath fillers and pop-up overflows

Installation

 **Flush piping system prior and after installation of fitting thoroughly (Consider EN 806)!**

This product must be installed in conformance with local codes e.g. AS/NZS 3500 series of standard!

Installation, see Fig. [1] - [5].
Refer to the dimensional drawing.

Open cold and hot-water supply and check connections for watertightness!



Check fitting for correct operation.



Maintenance

Inspect and clean all parts, replace as necessary and grease with special grease.

Shut off cold and hot water supply!

Replacing the cartridge.

Assemble in reverse order.

Observe the correct installation position!

Make sure that the cartridge seals engage in the grooves on the housing. Screw in and tighten screwing.



Replacement parts

Care

For directions on the care of this fitting, refer to the accompanying Care Instructions.