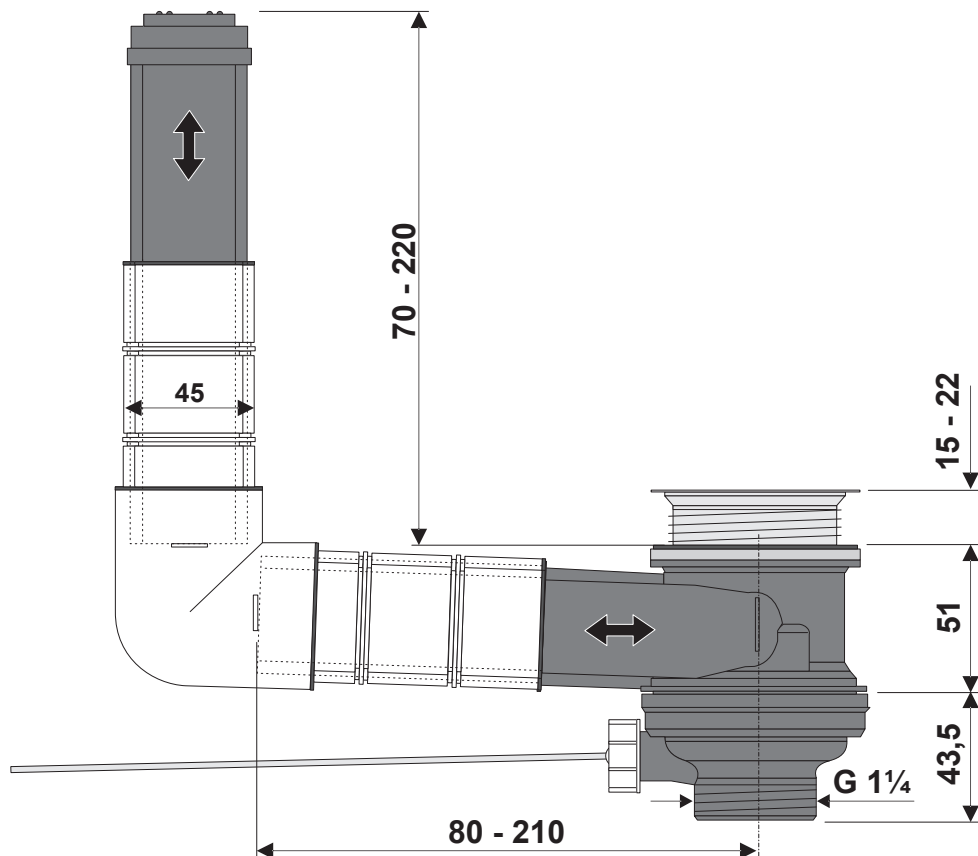
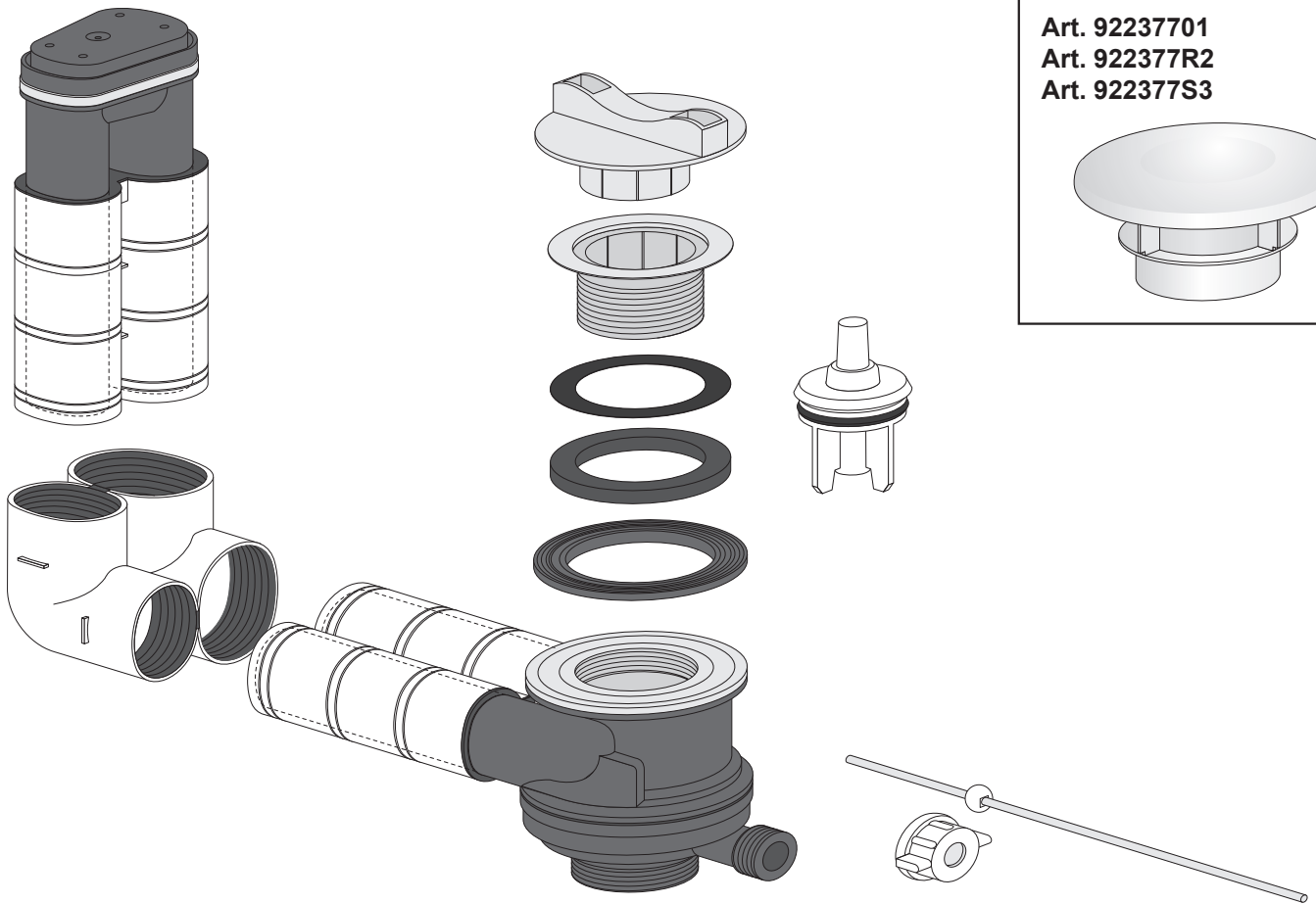
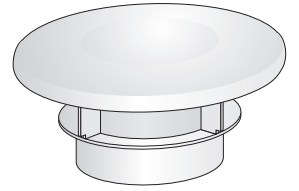
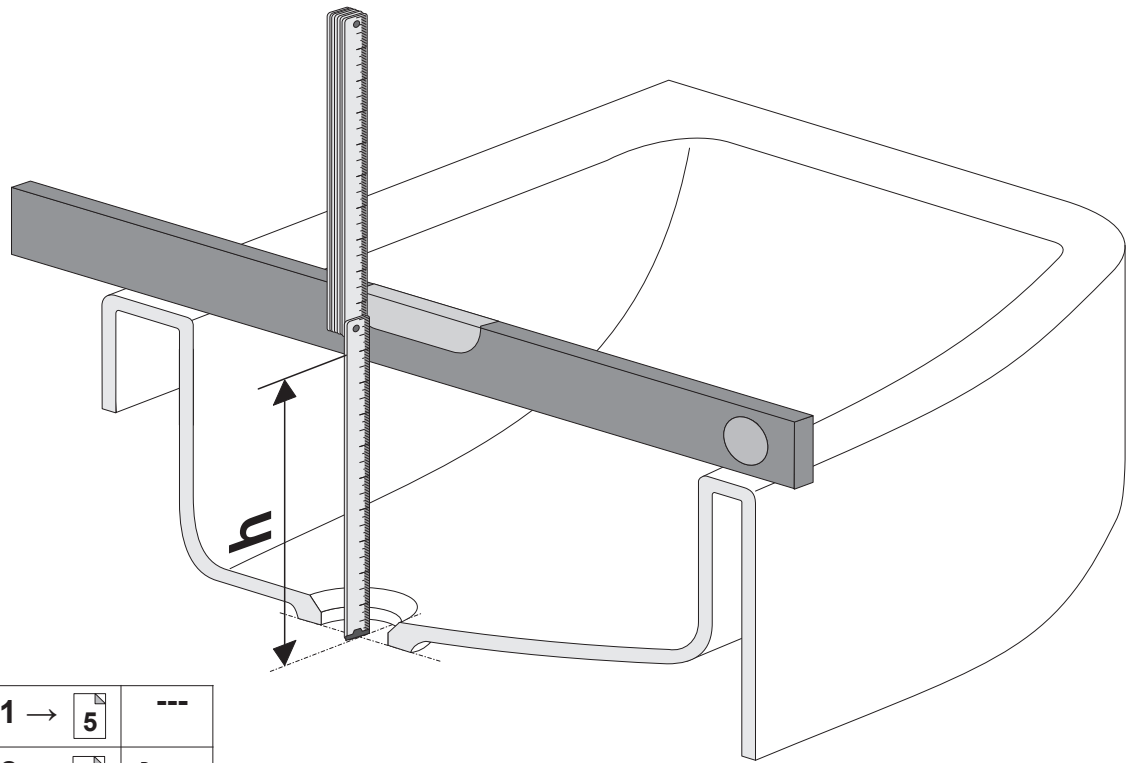





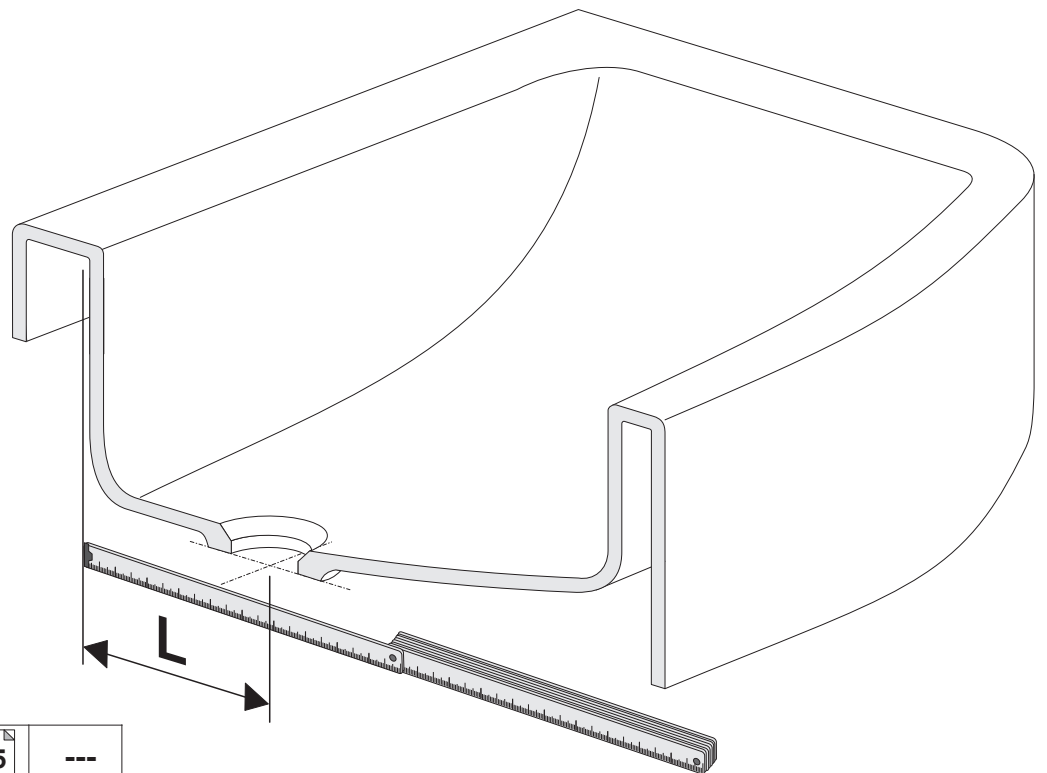
ViFlow

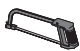
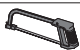

Art. 92237701
Art. 922377R2
Art. 922377S3



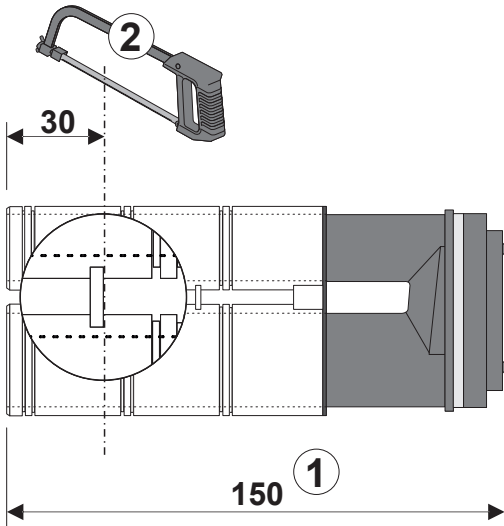
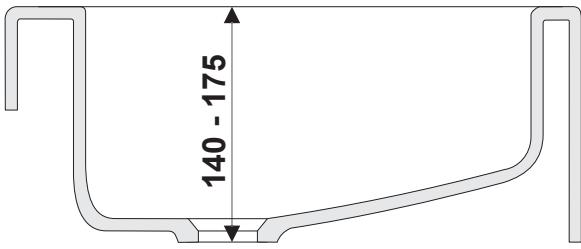


H = 175 - 245 mm	H1 →	5	---
H = 140 - 175 mm	H2 →	3	
H = 125 - 140 mm	H3 →	3	
H = 95 - 115 mm	H4 →	3	

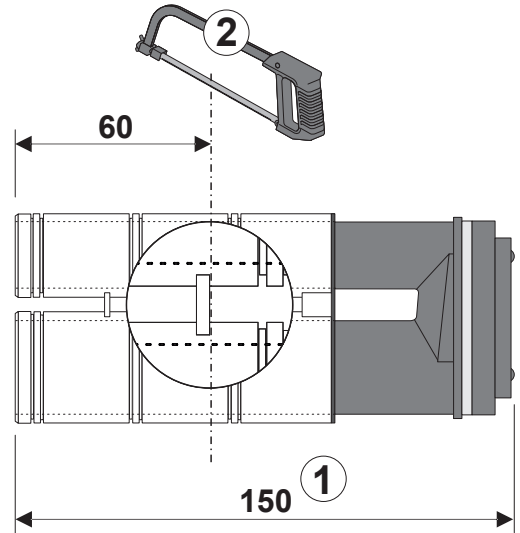
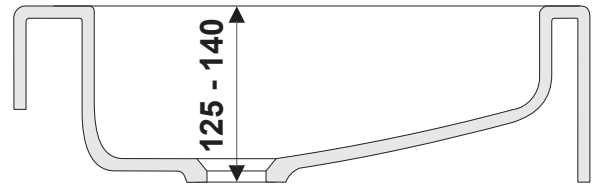


L = 140 - 210 mm	L1 →	5	---
L = 110 - 140 mm	L2 →	4	
L = 90 - 110 mm	L3 →	4	
L = 80 - 100 mm	L4 →	4	

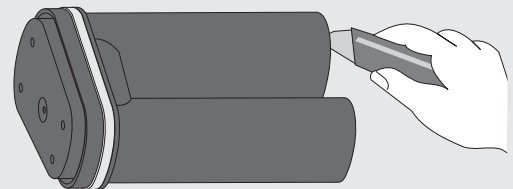
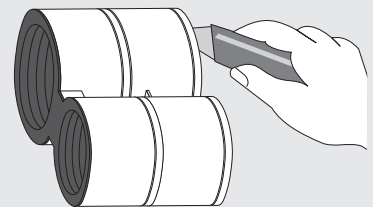
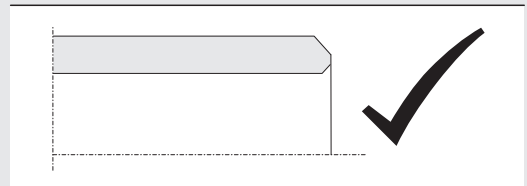
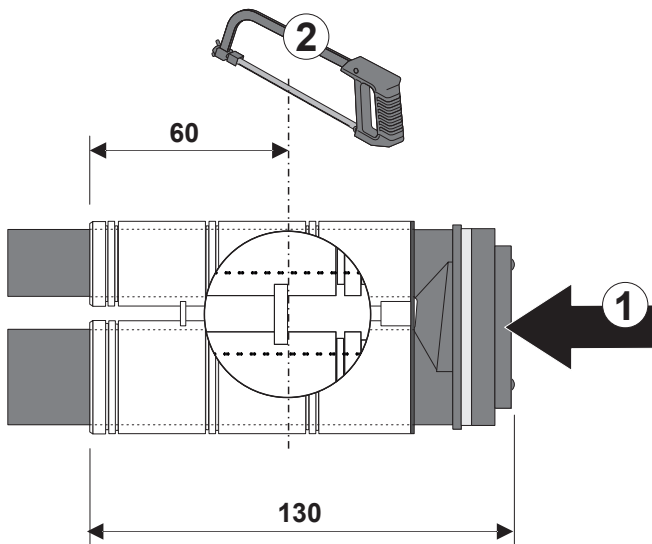
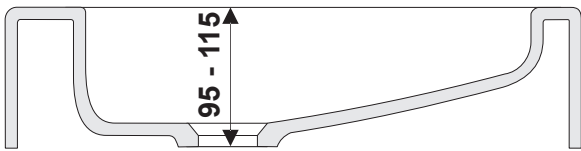
H2



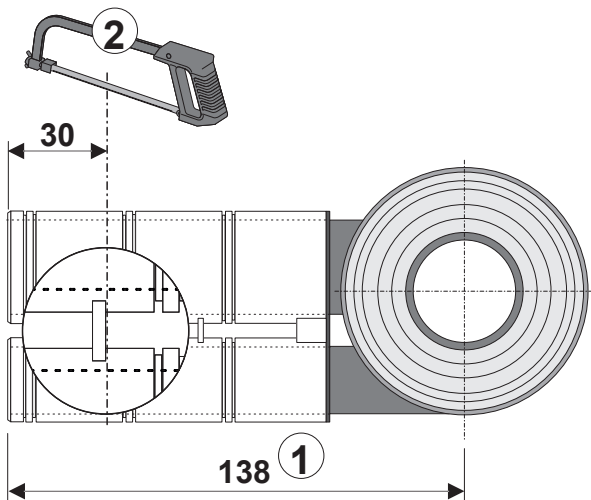
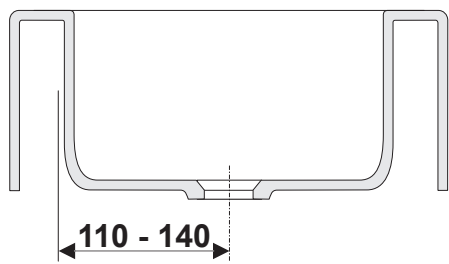
H3



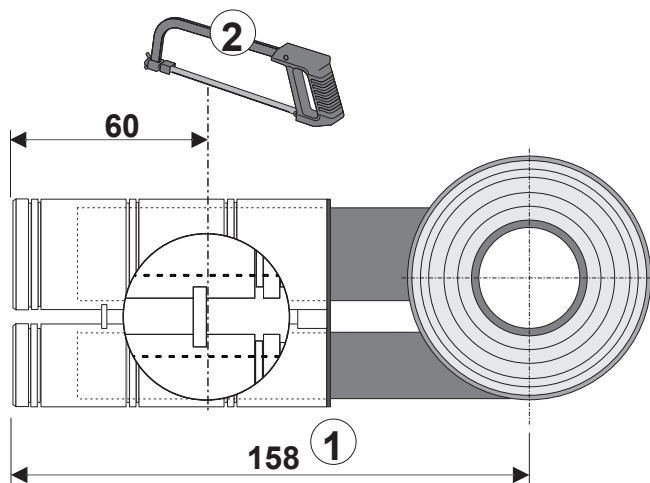
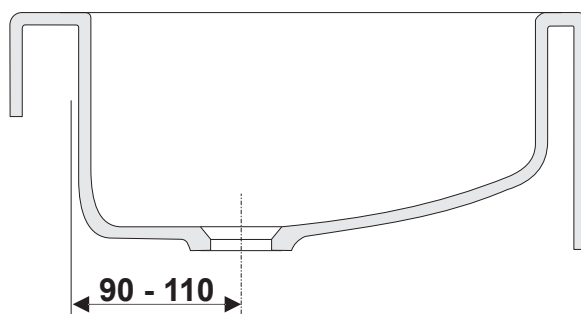
H4



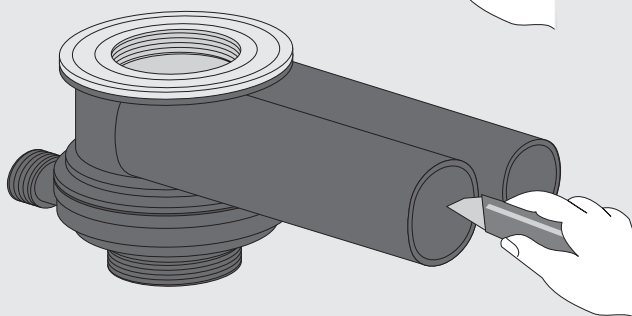
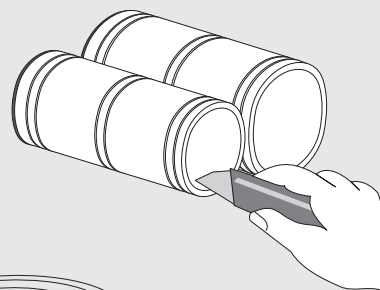
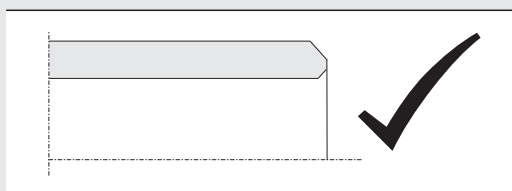
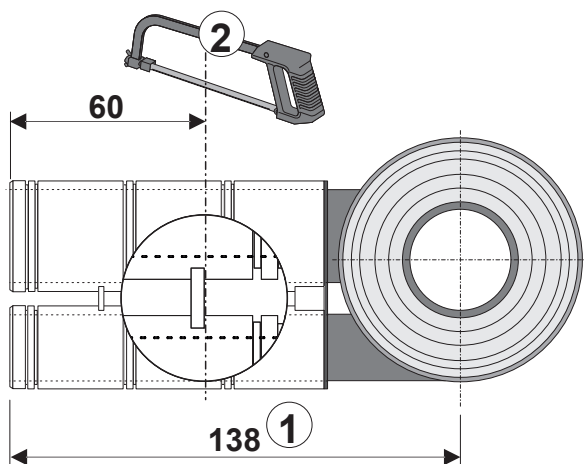
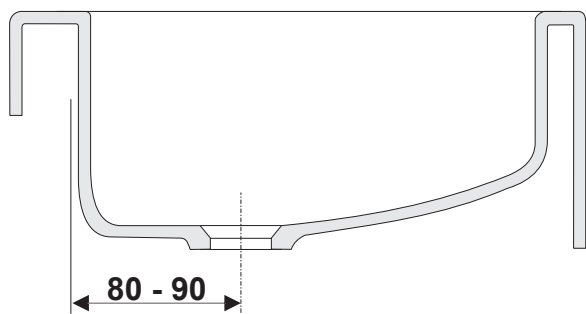
L2



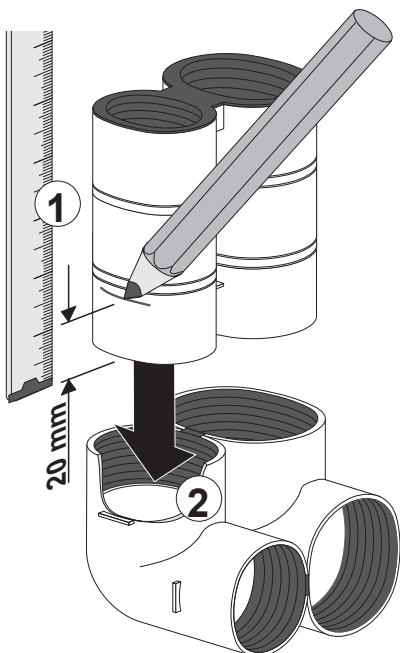
L3



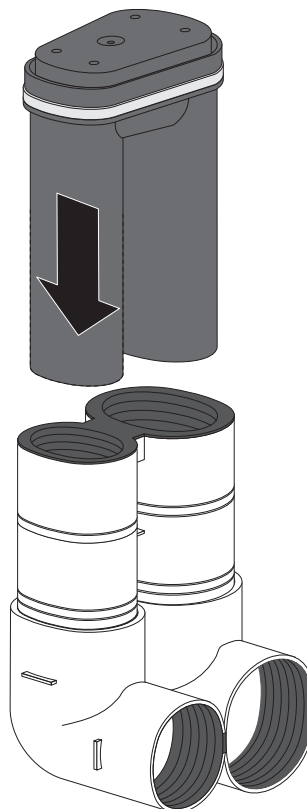
L4



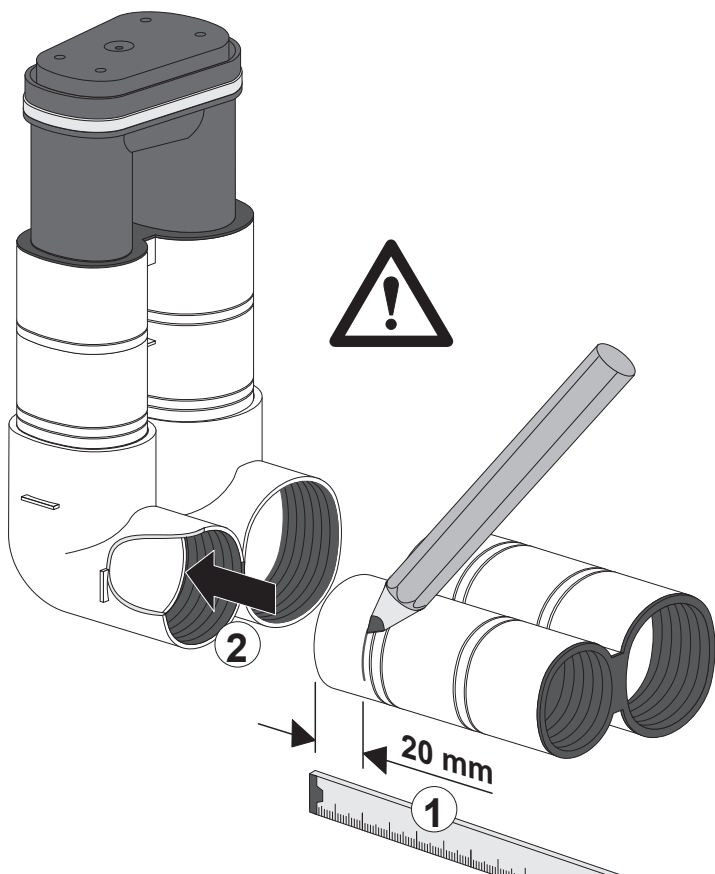
1



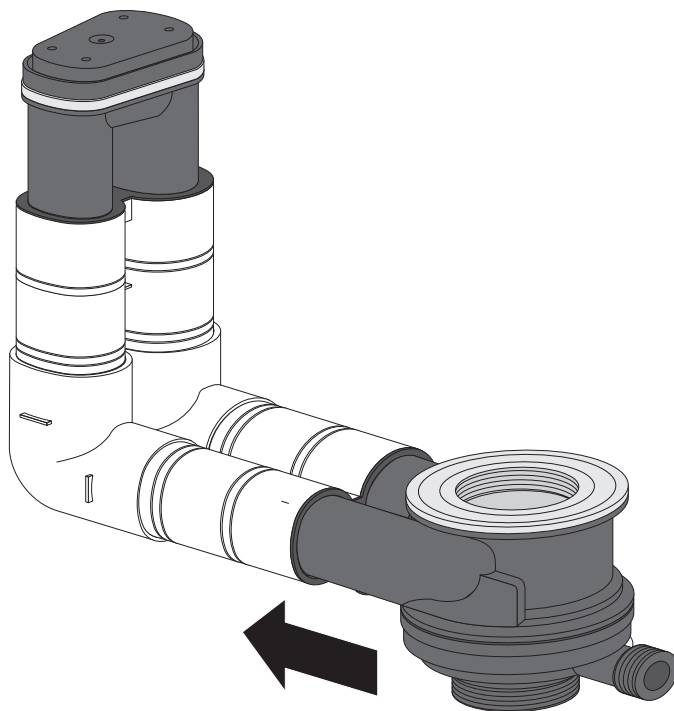
2



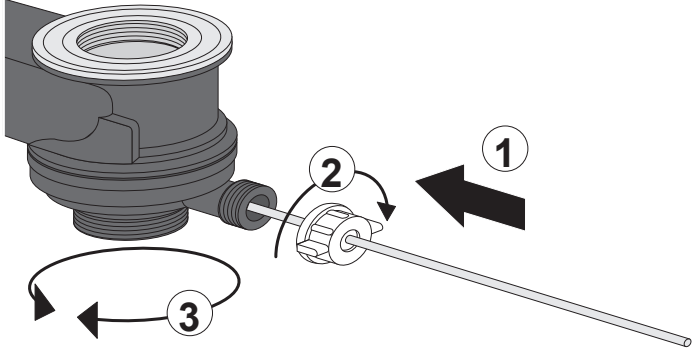
3



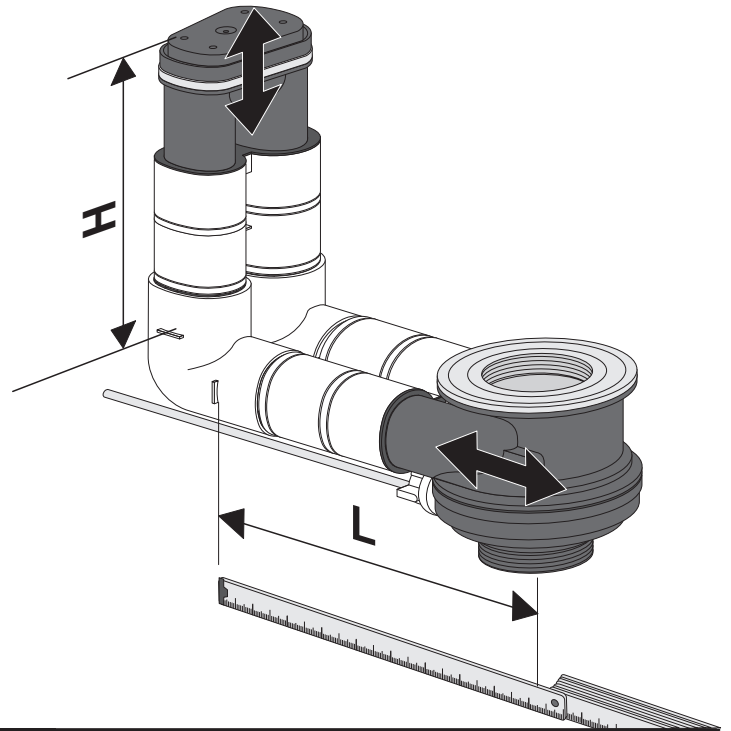
4



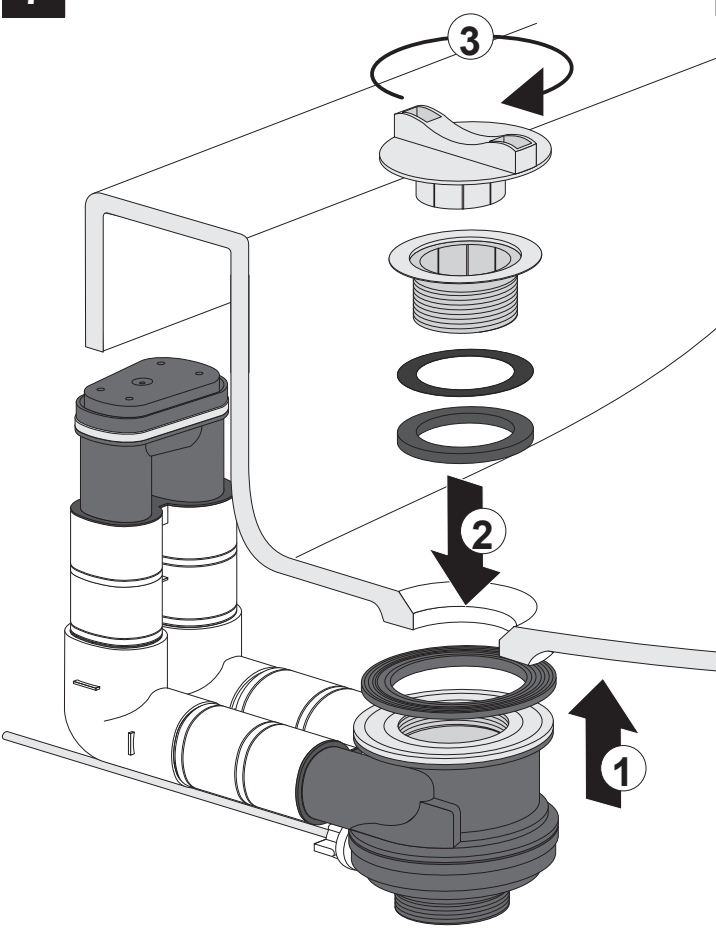
5



6



7



8

