

TECHNICAL DATA



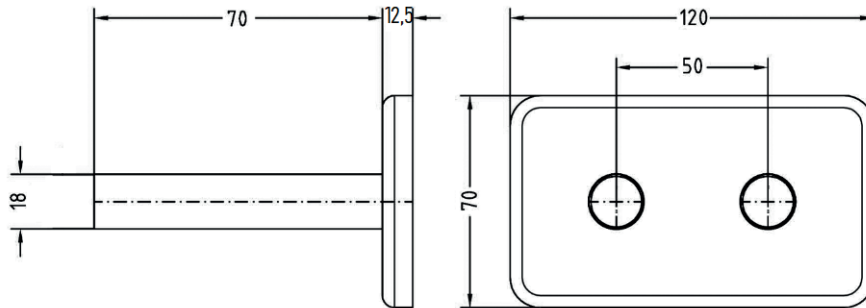
600.315.1

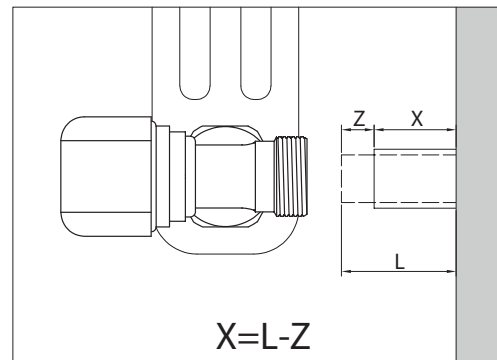
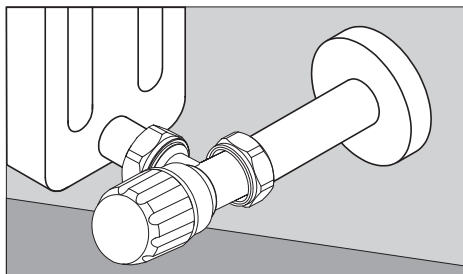
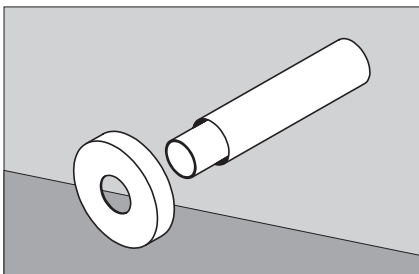
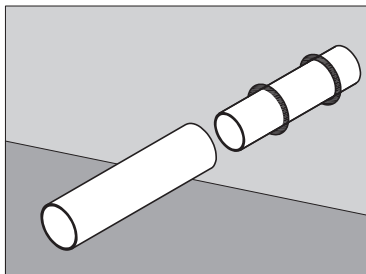
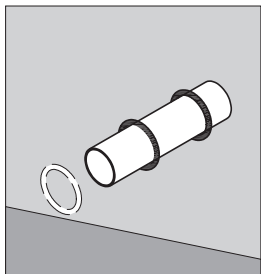
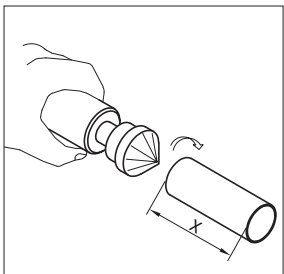


600.315.4



600.315.6





Z = 13 mm ALUPEX

Z = 16 mm Cu