

Technische Daten/ Technical Data

KLUDI RENON

concealed single lever shower mixer

Ref.: 427550575

Finishes:

05 chrome

Product description

Manufacturer KLUDI GmbH & Co. KG

Typ: KLUDI RENON

concealed single lever shower mixer

Ref.: 427550575

concealed shower mixer

single lever mixer

trim set without pre-installation set

pre installation set KLUDI SLIM.BOX Ref.: 88022

trim set with functional unit

wall mounted

solid lever, metal

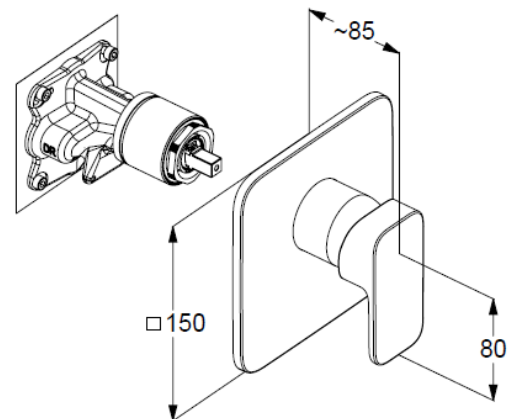
ceramic cartridge with hot water safety device

flow rate at 3 bar 28 l/min.

Produktabbildung/ Product picture



Maßzeichnung/ Dimensional drawing



Durchfluss/ Flow rate

