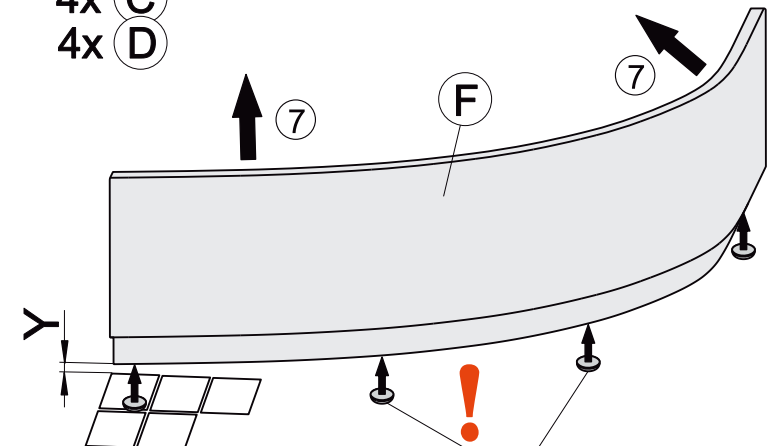
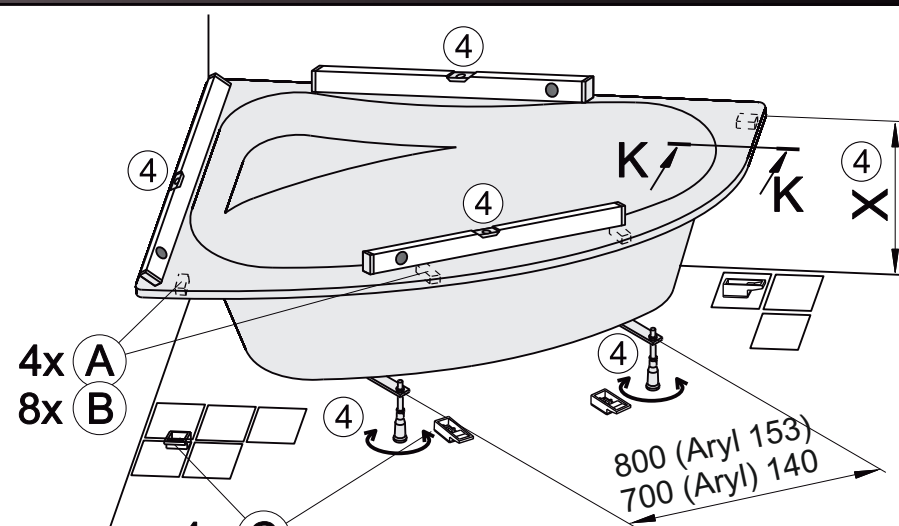
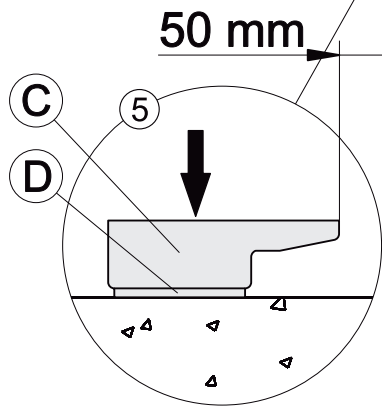
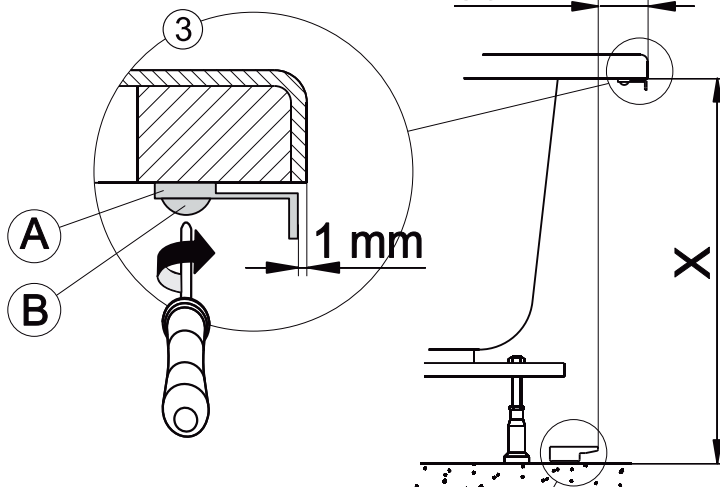
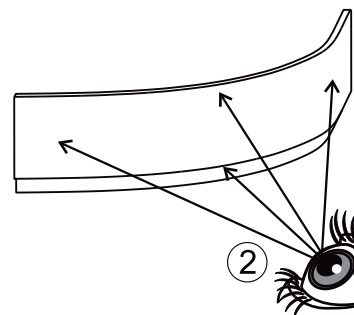
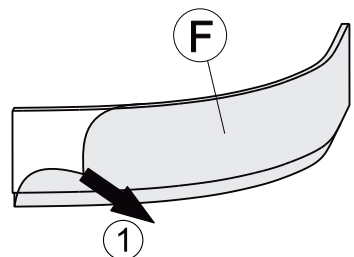
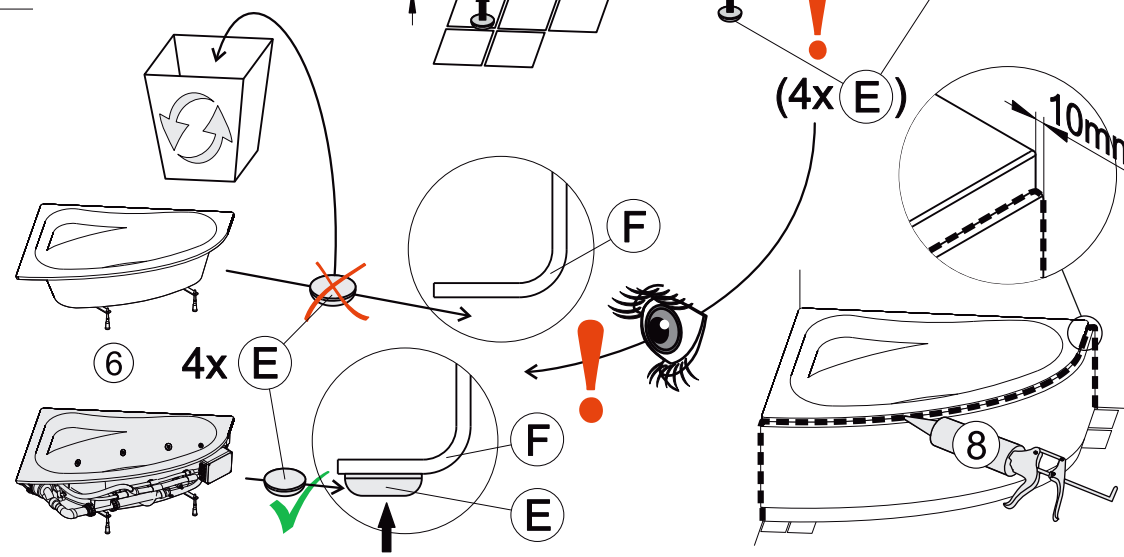


①, ②, ③, ④, ⑤, ⑥, ⑦, ⑧.

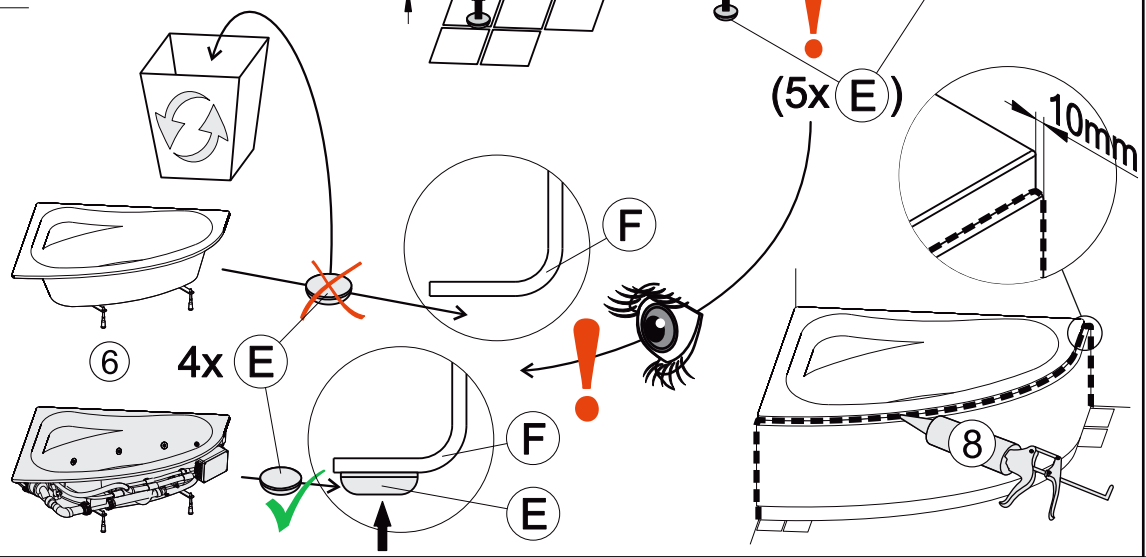
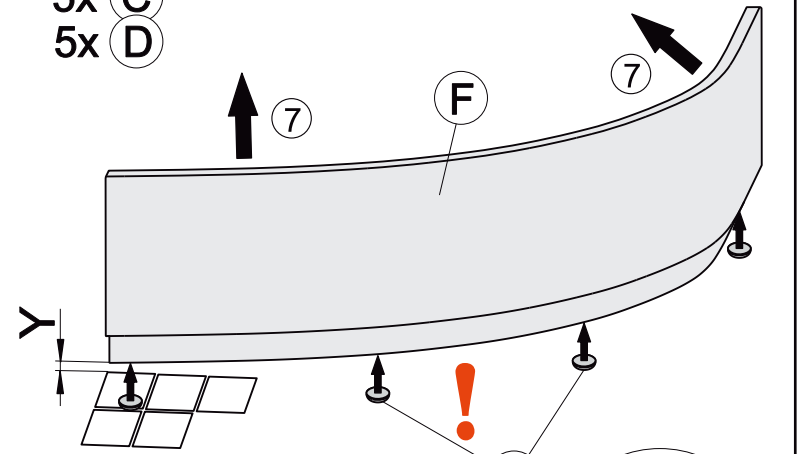
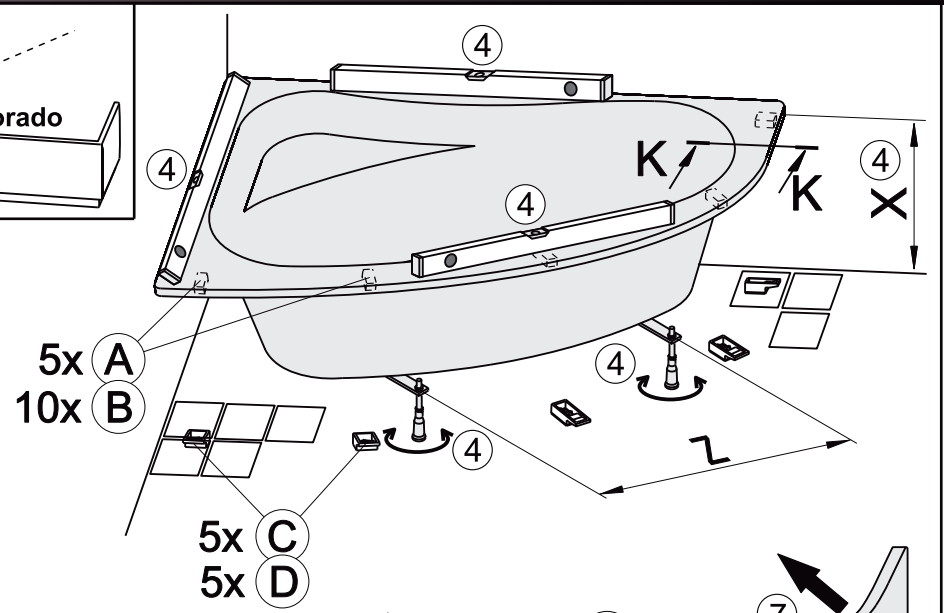
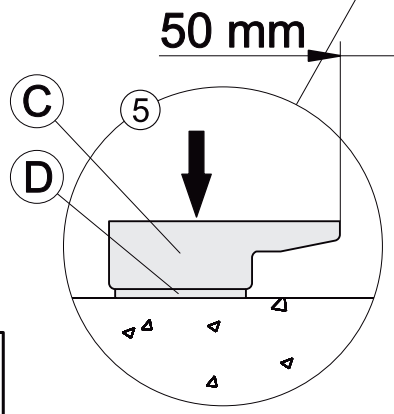
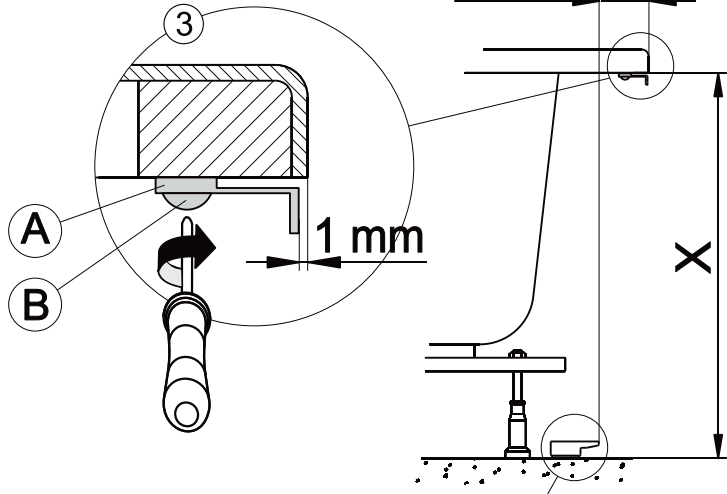
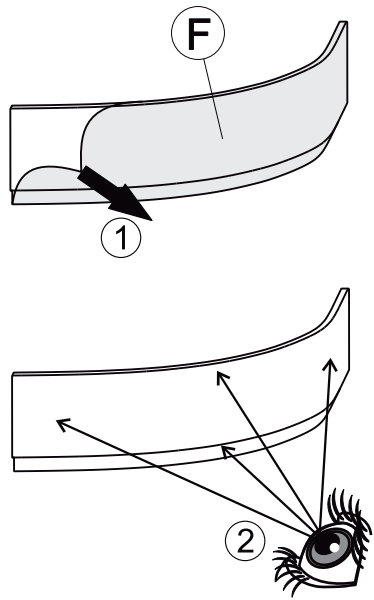


X	567 mm	573 mm
Y	0 mm	6 mm



A 5x 566004014	B 10x 130601127	C 5x 566004013	D 5x 590400245	E 5x 566004414	F 1x Dorado
------------------------------	-------------------------------	------------------------------	------------------------------	------------------------------	---------------------------

①, ②, ③, ④, ⑤, ⑥, ⑦, ⑧.



[mm]						
	X	Y	Z	X	Y	Z
Aryl 170	567	0	800	573	6	-
Dorado	562	0	900	568	6	-